



CALL NO. 104

CONTRACT ID. 201312

KENTON COUNTY

FED/STATE PROJECT NUMBER STPM 3002 (258)

DESCRIPTION BROMLEY-CRESCENT SPRINGS ROAD (KY 2373)

WORK TYPE GRADE, DRAIN & SURFACE WITH BRIDGE

PRIMARY COMPLETION DATE 10/1/2022

LETTING DATE: September 25,2020

Sealed Bids will be received electronically through the Bid Express bidding service until 10:00 am EASTERN DAYLIGHT TIME September 25,2020. Bids will be publicly announced at 10:00 am EASTERN DAYLIGHT TIME.

PLANS AVAILABLE FOR THIS PROJECT.

DBE CERTIFICATION REQUIRED - 6%

REQUIRED BID PROPOSAL GUARANTY: Not less than 5% of the total bid.

TABLE OF CONTENTS

PART I	SCOPE OF WORK
	<ul style="list-style-type: none">• PROJECT(S), COMPLETION DATE(S), & LIQUIDATED DAMAGES• CONTRACT NOTES• FEDERAL CONTRACT NOTES• ASPHALT MIXTURE• INCIDENTAL SURFACING• ASPHALT PAVEMENT RIDE QUALITY CAT B• FUEL AND ASPHALT PAY ADJUSTMENT• COMPACTION OPTION A• HOLD AWARD• SPECIAL NOTE(S) APPLICABLE TO PROJECT• TREE REMOVAL• RIGHT OF WAY CERTIFICATION• UTILITY IMPACT & RAIL CERTIFICATION NOTES• GENERAL UTILITY NOTES• GASLINE SPECS• WATERLINE SPECIFICATIONS• SEWERLINE SPECS• WATER QUALITY CERTIFICATION• KPDES STORM WATER PERMIT, BMP AND ENOI
PART II	SPECIFICATIONS AND STANDARD DRAWINGS
	<ul style="list-style-type: none">• SPECIFICATIONS REFERENCE• SUPPLEMENTAL SPECIFICATION• [SN-1I] PORTABLE CHANGEABLE SIGNS• [SN-11M] BARCODE LABEL ON PERMANENT SIGNS
PART III	EMPLOYMENT, WAGE AND RECORD REQUIREMENTS
	<ul style="list-style-type: none">• FEDERAL-AID CONSTRUCTION CONTRACTS - FHWA 1273• NONDISCRIMINATION OF EMPLOYEES• EXECUTIVE BRANCH CODE OF ETHICS• PROJECT WAGE RATES LOCALITY 4 / FEDERAL• NOTICE OF REQUIREMENT FOR AFFIRMATIVE ACTION TO ENSURE EEO KENTON
PART IV	INSURANCE
PART V	BID ITEMS

PART I
SCOPE OF WORK

ADMINISTRATIVE DISTRICT - 06

CONTRACT ID - 201312

STPM 3002 (258)

COUNTY - KENTON

PCN - DE05923732012

STPM 3002 (258)

BROMLEY-CRESCENT SPRINGS ROAD (KY 2373) FROM ANDERSON ROAD TO AMSTERDAM ROAD, A
DISTANCE OF 0.76 MILES.GRADE, DRAIN & SURFACE WITH BRIDGE SYP NO. 06-00419.00.

GEOGRAPHIC COORDINATES LATITUDE 39:03:34.00 LONGITUDE -84:34:13.00

COMPLETION DATE(S):

COMPLETED BY 10/01/2022

APPLIES TO ENTIRE CONTRACT

CONTRACT NOTES

PROPOSAL ADDENDA

All addenda to this proposal must be applied when calculating bid and certified in the bid packet submitted to the Kentucky Department of Highways. Failure to use the correct and most recent addenda may result in the bid being rejected.

BID SUBMITTAL

Bidder must use the Department's electronic bidding software. The Bidder must download the bid file located on the Bid Express website (www.bidx.com) to prepare a bid packet for submission to the Department. The bidder must submit electronically using Bid Express.

JOINT VENTURE BIDDING

Joint venture bidding is permissible. All companies in the joint venture must be prequalified in one of the work types in the Qualifications for Bidders for the project. The bidders must get a vendor ID for the joint venture from the Division of Construction Procurement and register the joint venture as a bidder on the project. Also, the joint venture must obtain a digital ID from Bid Express to submit a bid. A joint bid bond of 5% may be submitted for both companies or each company may submit a separate bond of 5%.

UNDERGROUND FACILITY DAMAGE PROTECTION

The contractor shall make every effort to protect underground facilities from damage as prescribed in the Underground Facility Damage Protection Act of 1994, Kentucky Revised Statute KRS 367.4901 to 367.4917. It is the contractor's responsibility to determine and take steps necessary to be in compliance with federal and state damage prevention directives. When prescribed in said directives, the contractor shall submit Excavation Locate Requests to the Kentucky Contact Center (KY811) via web ticket entry. The submission of this request does not relieve the contractor from the responsibility of contacting non-member facility owners, whom shall be contacted through their individual Protection Notification Center. Non-compliance with these directives can result in the enforcement of penalties.

REGISTRATION WITH THE SECRETARY OF STATE BY A FOREIGN ENTITY

Pursuant to KRS 176.085(1)(b), an agency, department, office, or political subdivision of the Commonwealth of Kentucky shall not award a state contract to a person that is a foreign entity required by [KRS 14A.9-010](#) to obtain a certificate of authority to transact business in the Commonwealth ("certificate") from the Secretary of State under [KRS 14A.9-030](#) unless the person produces the certificate within fourteen (14) days of the bid or proposal opening. If the foreign entity is not required to obtain a certificate as provided in [KRS 14A.9-010](#), the foreign entity should identify the applicable exception. Foreign entity is defined within [KRS 14A.1-070](#).

For all foreign entities required to obtain a certificate of authority to transact business in the Commonwealth, if a copy of the certificate is not received by the contracting agency within the time frame identified above, the foreign entity's solicitation response shall be deemed non-responsive or the awarded contract shall be cancelled.

Businesses can register with the Secretary of State at <https://secure.kentucky.gov/sos/ftbr/welcome.aspx>.

SPECIAL NOTE FOR PROJECT QUESTIONS DURING ADVERTISEMENT

Questions about projects during the advertisement should be submitted in writing to the Division of Construction Procurement. This may be done by fax (502) 564-7299 or email to kytc.projectquestions@ky.gov. The Department will attempt to answer all submitted questions. The Department reserves the right not to answer if the question is not pertinent or does not aid in clarifying the project intent.

The deadline for posting answers will be 3:00 pm Eastern Daylight Time, the day preceding the Letting. Questions may be submitted until this deadline with the understanding that the later a question is submitted, the less likely an answer will be able to be provided.

The questions and answers will be posted for each Letting under the heading "Questions & Answers" on the Construction Procurement website (www.transportation.ky.gov/contract). The answers provided shall be considered part of this Special Note and, in case of a discrepancy, will govern over all other bidding documents.

HARDWOOD REMOVAL RESTRICTIONS

The US Department of Agriculture has imposed a quarantine in Kentucky and several surrounding states, to prevent the spread of an invasive insect, the emerald ash borer. Hardwood cut in conjunction with the project may not be removed from the state. Chipping or burning on site is the preferred method of disposal.

INSTRUCTIONS FOR EXCESS MATERIAL SITES AND BORROW SITES

Identification of excess material sites and borrow sites shall be the responsibility of the Contractor. The Contractor shall be responsible for compliance with all applicable state and federal laws and may wish to consult with the US Fish and Wildlife Service to seek protection under Section 10 of the Endangered Species Act for these activities.

ACCESS TO RECORDS

The contractor, as defined in KRS 45A.030 (9) agrees that the contracting agency, the Finance and Administration Cabinet, the Auditor of Public Accounts, and the Legislative Research Commission, or their duly authorized representatives, shall have access to any books, documents, papers, records, or other evidence, which are directly pertinent to this contract for the purpose of financial audit or program review. Records and other prequalification information confidentially

disclosed as part of the bid process shall not be deemed as directly pertinent to the contract and shall be exempt from disclosure as provided in KRS 61.878(1)(c). The contractor also recognizes that any books, documents, papers, records, or other evidence, received during a financial audit or program review shall be subject to the Kentucky Open Records Act, KRS 61.870 to 61.884.

In the event of a dispute between the contractor and the contracting agency, Attorney General, or the Auditor of Public Accounts over documents that are eligible for production and review, the Finance and Administration Cabinet shall review the dispute and issue a determination, in accordance with Secretary's Order 11-004.

April 30, 2018

FEDERAL CONTRACT NOTES

The Kentucky Department of Highways, in accordance with the Regulations of the United States Department of Transportation 23 CFR 635.112 (h), hereby notifies all bidders that failure by a bidder to comply with all applicable sections of the current Kentucky Standard Specifications, including, but not limited to the following, may result in a bid not being considered responsive and thus not eligible to be considered for award:

- | | |
|--------------------------------|--|
| 102.02 Current Rating | 102.08 Preparation and Delivery of Proposals |
| 102.13 Irregular Bid Proposals | 102.14 Disqualification of Bidders |
| 102.09 Proposal Guaranty | |

CIVIL RIGHTS ACT OF 1964

The Kentucky Department of Highways, in accordance with the provisions of Title VI of the Civil Rights Act of 1964 (78 Stat. 252) and the Regulations of the Federal Department of Transportation (49 C.F.R., Part 21), issued pursuant to such Act, hereby notifies all bidders that it will affirmatively insure that the contract entered into pursuant to this advertisement will be awarded to the lowest responsible bidder without discrimination on the ground of race, color, or national origin.

NOTICE TO ALL BIDDERS

To report bid rigging activities call: 1-800-424-9071.

The U.S. Department of Transportation (DOT) operates the above toll-free “hotline” Monday through Friday, 8:00 a.m. to 5:00 p.m. eastern time. Anyone with knowledge of possible bid rigging, bidder collusion, or other fraudulent activities should use the “hotline” to report such activities.

The “hotline” is part of the DOT’s continuing effort to identify and investigate highway construction contract fraud and abuse and is operated under the direction of the DOT Inspector General. All information will be treated confidentially and caller anonymity will be respected.

SECOND TIER SUBCONTRACTS

Second Tier subcontracts on federally assisted projects shall be permitted. However, in the case of DBE’s, second tier subcontracts will only be permitted where the other subcontractor is also a DBE. All second tier subcontracts shall have the consent of both the Contractor and the Engineer.

DISADVANTAGED BUSINESS ENTERPRISE PROGRAM

It is the policy of the Kentucky Transportation Cabinet (“the Cabinet”) that Disadvantaged Business Enterprises (“DBE”) shall have the opportunity to participate in the performance of highway construction projects financed in whole or in part by Federal Funds in order to create a level playing field for all businesses who wish to contract with the Cabinet. To that end, the Cabinet will comply with the regulations found in 49 CFR Part 26, and the definitions and requirements contained therein shall be adopted as if set out verbatim herein.

The Cabinet, contractors, subcontractors, and sub-recipients shall not discriminate on the basis of race, color, national origin, or sex in the performance of work performed pursuant to Cabinet contracts. The contractor shall carry out applicable requirements of 49 CFR 26 in the award and administration of federally assisted highway construction projects. The contractor will include this provision in all its subcontracts and supply agreements pertaining to contracts with the Cabinet.

Failure by the contractor to carry out these requirements is a material breach of its contract with the Cabinet, which may result in the termination of the contract or such other remedy as the Cabinet deems necessary.

DBE GOAL

The Disadvantaged Business Enterprise (DBE) goal established for this contract, as listed on the front page of the proposal, is the percentage of the total value of the contract.

The contractor shall exercise all necessary and reasonable steps to ensure that Disadvantaged Business Enterprises participate in a least the percent of the contract as set forth above as goals for this contract.

OBLIGATION OF CONTRACTORS

Each contractor prequalified to perform work on Cabinet projects shall designate and make known to the Cabinet a liaison officer who is assigned the responsibility of effectively administering and promoting an active program for utilization of DBEs.

If a formal goal has not been designated for the contract, all contractors are encouraged to consider DBEs for subcontract work as well as for the supply of material and services needed to perform this work.

Contractors are encouraged to use the services of banks owned and controlled by minorities and women.

CERTIFICATION OF CONTRACT GOAL

Contractors shall include the following certification in bids for projects for which a DBE goal has been established. BIDS SUBMITTED WHICH DO NOT INCLUDE CERTIFICATION OF DBE PARTICIPATION WILL NOT BE ACCEPTED. These bids will not be considered for award by the Cabinet and they will be returned to the bidder.

“The bidder certifies that it has secured participation by Disadvantaged Business Enterprises (“DBE”) in the amount of _____ percent of the total value of this contract and that the DBE participation is in compliance with the requirements of 49 CFR 26 and the policies of the Kentucky Transportation Cabinet pertaining to the DBE Program.”

The certification statement is located in the electronic bid file. All contractors must certify their DBE participation on that page. DBEs utilized in achieving the DBE goal must be certified and prequalified for the work items at the time the bid is submitted.

DBE PARTICIPATION PLAN

Lowest responsive bidders must submit the *DBE Plan/ Subcontractor Request*, form TC 14-35 DBE, within **5** days of the letting. This is necessary before the Awards Committee will review and make a recommendation. **The project will not be considered for award prior to submission and approval of the apparent low bidder’s DBE Plan/Subcontractor Request.**

The DBE Participation Plan shall include the following:

1. Name and address of DBE Subcontractor(s) and/or supplier(s) intended to be used in the proposed project;
2. Description of the work each is to perform including the work item, unit, quantity, unit price and total amount of the work to be performed by the individual DBE. The Proposal Line Number, Category Number, and the Project Line Number can be found in the “material listing” on the Construction Procurement website under the specific letting;
3. The dollar value of each proposed DBE subcontract and the percentage of total project contract value this represents. DBE participation may be counted as follows:
 - a. If DBE suppliers and manufactures assume actual and contractual responsibility, the dollar value of materials to be furnished will be counted toward the goal as follows:
 - The entire expenditure paid to a DBE manufacturer;
 - 60 percent of expenditures to DBE suppliers that are not manufacturers provided the supplier is a regular dealer in the product involved. A regular dealer must be engaged in, as its principal business and in its own name, the sale of products to the public, maintain an inventory and own and operate distribution equipment; and
 - The amount of fees or commissions charged by the DBE firms for a bona fide service, such as professional, technical, consultant, or managerial services and assistance in the procurement of essential personnel, facilities, equipment, materials, supplies, delivery of materials and supplies or for furnishing bonds, or insurance, providing such fees or commissions are determined to be reasonable and customary.

- b) The dollar value of services provided by DBEs such as quality control testing, equipment repair and maintenance, engineering, staking, etc.;
 - c) The dollar value of joint ventures. DBE credit for joint ventures will be limited to the dollar amount of the work actually performed by the DBE in the joint venture;
4. Written and signed documentation of the bidder's commitment to use a DBE contractor whose participation is being utilized to meet the DBE goal; and
 5. Written and signed confirmation from the DBE that it is participating in the contract as provided in the prime contractor's commitment.

UPON AWARD AND BEFORE A WORK ORDER WILL BE ISSUED

Contractors must submit the signed subcontract between the contractor and the DBE contractor, along with the DBE's certificate of insurance. If the DBE is a supplier of materials for the project, a signed purchase order must be submitted to the Division of Construction Procurement.

Changes to DBE Participation Plans must be approved by the Cabinet. The Cabinet may consider extenuating circumstances including, but not limited to, changes in the nature or scope of the project, the inability or unwillingness of a DBE to perform the work in accordance with the bid, and/or other circumstances beyond the control of the prime contractor.

CONSIDERATION OF GOOD FAITH EFFORTS REQUESTS

If the DBE participation submitted in the bid by the apparent lowest responsive bidder does not meet or exceed the DBE contract goal, the apparent lowest responsive bidder must submit a Good Faith Effort Package to satisfy the Cabinet that sufficient good faith efforts were made to meet the contract goals prior to submission of the bid. Efforts to increase the goal after bid submission will not be considered in justifying the good faith effort, unless the contractor can show that the proposed DBE was solicited prior to the letting date. DBEs utilized in achieving the DBE goal must be certified and prequalified for the work items at the time the bid is submitted. One complete set (hard copy along with an electronic copy) of this information must be received in the Division of Contract Procurement no later than 12:00 noon of the tenth calendar day after receipt of notification that they are the apparent low bidder.

Where the information submitted includes repetitious solicitation letters it will be acceptable to submit a sample representative letter along with a distribution list of the firms solicited. Documentation of DBE quotations shall be a part of the good faith effort submittal as necessary to demonstrate compliance with the factors listed below which the Cabinet considers in judging good faith efforts. This documentation may include written subcontractors' quotations, telephone log notations of verbal quotations, or other types of quotation documentation.

The Good Faith Effort Package shall include, but may not be limited to information showing evidence of the following:

1. Whether the bidder attended any pre-bid meetings that were scheduled by the Cabinet to inform DBEs of subcontracting opportunities;
2. Whether the bidder provided solicitations through all reasonable and available means;
3. Whether the bidder provided written notice to all DBEs listed in the DBE directory at the time of the letting who are prequalified in the areas of work that the bidder will be subcontracting;
4. Whether the bidder followed up initial solicitations of interest by contacting DBEs to determine with certainty whether they were interested. If a reasonable amount of DBEs within the targeted districts do not provide an intent to quote or no DBEs are prequalified in the subcontracted areas, the bidder must notify the Disadvantaged Enterprise Business Liaison Officer (DEBLO) in the Office of Civil Rights and Small Business Development to give notification of the bidder's inability to get DBE quotes;
5. Whether the bidder selected portions of the work to be performed by DBEs in order to increase the likelihood of meeting the contract goals. This includes, where appropriate, breaking out contract work items into economically feasible units to facilitate DBE participation, even when the prime contractor might otherwise perform these work items with its own forces;
6. Whether the bidder provided interested DBEs with adequate and timely information about the plans, specifications, and requirements of the contract;
7. Whether the bidder negotiated in good faith with interested DBEs not rejecting them as unqualified without sound reasons based on a thorough investigation of their capabilities. Any rejection should be so noted in writing with a description as to why an agreement could not be reached;
8. Whether quotations were received from interested DBE firms but were rejected as unacceptable without sound reasons why the quotations were considered unacceptable. The fact that the DBE firm's quotation for the work is not the lowest quotation received will not in itself be considered as a sound reason for rejecting the quotation as unacceptable. The fact that the bidder has the ability and/or desire to perform the contract work with its own forces will not be considered a sound reason for rejecting a DBE quote. Nothing in this provision shall be construed to require the bidder to accept unreasonable quotes in order to satisfy DBE goals;
9. Whether the bidder specifically negotiated with subcontractors to assume part of the responsibility to meet the contract DBE goal when the work to be subcontracted includes potential DBE participation;
10. Whether the bidder made any efforts and/or offered assistance to interested DBEs in obtaining the necessary equipment, supplies, materials, insurance and/or bonding to satisfy the work requirements of the bid proposal; and
11. Any other evidence that the bidder submits which may show that the bidder has made reasonable good faith efforts to include DBE participation.

FAILURE TO MEET GOOD FAITH REQUIREMENT

Where the apparent lowest responsive bidder fails to submit sufficient participation by DBE firms to meet the contract goal and upon a determination by the Good Faith Committee based upon the information submitted that the apparent lowest responsive bidder failed to make sufficient reasonable efforts to meet the contract goal, the bidder will be offered the opportunity to meet in person for administrative reconsideration. The bidder will be notified of the Committee's decision within 24 hours of its decision. The bidder will have 24 hours to request reconsideration of the Committee's decision. The reconsideration meeting will be held within two days of the receipt of a request by the bidder for reconsideration.

The request for reconsideration will be heard by the Office of the Secretary. The bidder will have the opportunity to present written documentation or argument concerning the issue of whether it met the goal or made an adequate good faith effort. The bidder will receive a written decision on the reconsideration explaining the basis for the finding that the bidder did or did not meet the goal or made adequate Good Faith efforts to do so.

The result of the reconsideration process is not administratively appealable to the Cabinet or to the United States Department of Transportation.

The Cabinet reserves the right to award the contract to the next lowest responsive bidder or to rebid the contract in the event that the contract is not awarded to the low bidder as the result of a failure to meet the good faith requirement.

SANCTIONS FOR FAILURE TO MEET DBE REQUIREMENTS OF THE PROJECT

Failure by the prime contractor to fulfill the DBE requirements of a project under contract or to demonstrate good faith efforts to meet the goal constitutes a breach of contract. When this occurs, the Cabinet will hold the prime contractor accountable, as would be the case with all other contract provisions. Therefore, the contractor's failure to carry out the DBE contract requirements shall constitute a breach of contract and as such the Cabinet reserves the right to exercise all administrative remedies at its disposal including, but not limited to the following:

- Disallow credit toward the DBE goal;
- Withholding progress payments;
- Withholding payment to the prime in an amount equal to the unmet portion of the contract goal; and/or
- Termination of the contract.

PROMPT PAYMENT

The prime contractor will be required to pay the DBE within seven (7) working days after he or she has received payment from the Kentucky Transportation Cabinet for work performed or materials furnished.

CONTRACTOR REPORTING

All contractors must keep detailed records and provide reports to the Cabinet on their progress in meeting the DBE requirement on any highway contract. These records may include, but shall not be limited to payroll, lease agreements, cancelled payroll checks, executed subcontracting agreements, etc. Prime contractors will be required to complete and submit a **signed and notarized** Affidavit of Subcontractor Payment (TC 18-7) and copies of checks for any monies paid to each DBE subcontractor or supplier utilized to meet a DBE goal. These documents must be completed and signed within 7 days of being paid by the Cabinet.

Payment information that needs to be reported includes date the payment is sent to the DBE, check number, Contract ID, amount of payment and the check date. Before Final Payment is made on this contract, the Prime Contractor will certify that all payments were made to the DBE subcontractor and/or DBE suppliers.

******* IMPORTANT *******

Please mail the original, signed and completed TC (18-7) Affidavit of Subcontractor Payment form and all copies of checks for payments listed above to the following address:

Office of Civil Rights and Small Business Development
6th Floor West 200 Mero Street
Frankfort, KY 40622

The prime contractor should notify the KYTC Office of Civil Rights and Small Business Development seven (7) days prior to DBE contractors commencing work on the project. The contact in this office is Mr. Melvin Bynes. Mr. Bynes' current contact information is email address – melvin.bynes2@ky.gov and the telephone number is (502) 564-3601.

DEFAULT OR DECERTIFICATION OF THE DBE

If the DBE subcontractor or supplier is decertified or defaults in the performance of its work, and the overall goal cannot be credited for the uncompleted work, the prime contractor may utilize a substitute DBE or elect to fulfill the DBE goal with another DBE on a different work item. If after exerting good faith effort in accordance with the Cabinet's Good Faith Effort policies and procedures, the prime contractor is unable to replace the DBE, then the unmet portion of the goal may be waived at the discretion of the Cabinet.

PROHIBITION ON TELECOMMUNICATIONS EQUIPMENT OR SERVICES

In accordance with the FY 2019 National Defense Authorization Act (NDAA), 2 CFR 200.216, and 2 CFR 200.471, Federal agencies are prohibited, after August 13, 2020, from obligating or expending financial assistance to obtain certain telecommunications and video surveillance services and equipment from specific producers. As a result of these regulations, contractors and subcontractors are prohibited, on projects with federal funding participation, from providing telecommunication or video surveillance equipment, services, or systems produced by:

- Huawei Technologies Company or ZTE Corporation (or any subsidiary or affiliate of such entities)
- Hytera Communications Corporation, Hangzhou Hikvision Digital Technology Company, or Dahua Technology Company (or any subsidiary or affiliate of such entities)

LEGAL REQUIREMENTS AND RESPONSIBILITY TO THE PUBLIC – CARGO PREFERENCE ACT (CPA).

(REV 12-17-15) (1-16)

SECTION 7 is expanded by the following new Article:

102.10 **Cargo Preference Act – Use of United States-flag vessels.**

Pursuant to Title 46CFR Part 381, the Contractor agrees

- To utilize privately owned United States-flag commercial vessels to ship at least 50 percent of the gross tonnage (computed separately for dry bulk carriers, dry cargo liners, and tankers) involved, whenever shipping any equipment, material, or commodities pursuant to this contract, to the extent such vessels are available at fair and reasonable rates for United States-flag commercial vessels.

- To furnish within 20 days following the date of loading for shipments originating within the United States or within 30 working days following the date of loading for shipments originating outside the United States, a legible copy of a rated, 'on-board' commercial ocean bill-of-lading in English for each shipment of cargo described in paragraph 1 of this section to both the Contracting Officer (through the prime contractor in the case of subcontractor bills-of-lading) and to the Division of National Cargo, Office of Market Development, Maritime Administration, Washington, DC 20590.

- To insert the substance of the provisions of this clause in all subcontracts issued pursuant to this contract.

ASPHALT MIXTURE

Unless otherwise noted, the Department estimates the rate of application for all asphalt mixtures to be 110 lbs/sy per inch of depth.

INCIDENTAL SURFACING

The Department has included in the quantities of asphalt mixtures established in the proposal estimated quantities required for resurfacing or surfacing mailbox turnouts, farm field entrances, residential and commercial entrances, curve widening, ramp gores and tapers, and road and street approaches, as applicable. Pave these areas to the limits as shown on Standard Drawing RPM-110-06 or as directed by the Engineer. In the event signal detectors are present in the intersecting streets or roads, pave the crossroads to the right of way limit or back of the signal detector, whichever is the farthest back of the mainline. Surface or resurface these areas as directed by the Engineer. The Department will not measure placing and compacting for separate payment but shall be incidental to the Contract unit price for the asphalt mixtures.

ASPHALT PAVEMENT RIDE QUALITY CATEGORY B

The Department will apply Pavement Rideability Requirements on this project in accordance with Section 410, Category B.

FUEL AND ASPHALT PAY ADJUSTMENT

The Department has included the Contract items Asphalt Adjustment and Fuel Adjustment for possible future payments at an established Contract unit price of \$1.00. The Department will calculate actual adjustment quantities after work is completed. If existing Contract amount is insufficient to pay all items on the contract with the adjustments, the Department will establish additional monies with a change order.

OPTION A

Be advised that the Department will accept compaction of asphalt mixtures furnished for driving lanes and ramps, at 1 inch (25mm) or greater, on this project according to OPTION A in accordance with Section 402 and Section 403 of the current Standard Specifications. The Department will require joint cores as described in Section 402.03.02 for surface mixtures only. The Department will accept compaction of all other asphalt mixtures according to OPTION B.

SPECIAL NOTE FOR AWARD OF CONTRACT

In accordance to section 103.02 of the Standard Specifications for Road and Bridge Construction, the Department may hold and not award the contract for a period not to exceed sixty (60) calendar days from the date of letting.

SPECIAL NOTE FOR:

K.P.D.E.S. PERMIT & TEMPORARY EROSION CONTROL

ITEM NO. 6-419.00 - KENTON COUNTY

THE CONTRACTOR SHALL BE RESPONSIBLE FOR FILING THE KENTUCKY POLLUTION DISCHARGE ELIMINATION SYSTEM (KPDES) KYR10 PERMIT NOTICE OF INTENT (NOI) WITH THE KENTUCKY DIVISION OF WATER (DOW) AND ANY KPDES LOCAL MUNICIPAL SEPARATE STORM SEWER SYSTEM (MS4) PROGRAM THAT HAS JURISDICTION. THE NOI SHALL NAME THE CONTRACTOR AS THE FACILITY OPERATOR AND INCLUDE THE KYTC CONTRACT ID NUMBER (CID) FOR REFERENCE.

THE CONTRACTOR SHALL PERFORM ALL TEMPORARY EROSION/SEDIMENT CONTROL FUNCTIONS INCLUDING:

PROVIDING A BEST MANAGEMENT PRACTICE (BMP) PLAN, CONDUCTING REQUIRED INSPECTIONS, MODIFYING THE BMP PLAN DOCUMENTS AS CONSTRUCTION PROGRESSES AND DOCUMENTING THE INSTALLATION AND MAINTENANCE OF BMPS IN CONFORMANCE WITH THE KPDES KYR10 PERMIT EFFECTIVE ON DECEMBER 1, 2014 OR A PERMIT RE-ISSUED TO REPLACE THAT KYR10 PERMIT. THIS WORK SHALL BE CONDUCTED IN CONFORMANCE WITH THE REQUIREMENTS OF SECTION 213 OF KYTC 2012 DEPARTMENT OF HIGHWAYS, STANDARDS SPECIFICATIONS FOR ROAD AND BRIDGE CONSTRUCTION. CONTRARY TO SECTION 213.03.03, PARAGRAPH 2, THE ENGINEER SHALL CONDUCT INSPECTIONS AS NEEDED TO VERIFY COMPLIANCE WITH SECTION 213 OF KYTC 2012 DEPARTMENT OF HIGHWAYS, STANDARD SPECIFICATIONS FOR ROAD AND BRIDGE CONSTRUCTION. THE ENGINEER'S INSPECTIONS SHALL BE PERFORMED A MINIMUM OF ONCE PER MONTH AND WITHIN SEVEN DAYS AFTER A STORM OF 1/2 INCH OR GREATER. COPIES OF THE ENGINEER'S INSPECTIONS SHALL NOT BE PROVIDED TO THE CONTRACTOR UNLESS IMPROVEMENTS TO THE BMP'S ARE REQUIRED. THE CONTRACTOR SHALL INITIATE CORRECTIVE ACTION WITHIN 24 HOURS OF ANY REPORTED DEFICIENCY AND COMPLETE THE WORK WITHIN 5 DAYS. THE ENGINEER SHALL USE FORM TC 63-61A FOR THIS REPORT. INSPECTIONS PERFORMED BY THE ENGINEER DO NOT RELIEVE THE CONTRACTOR OF ANY RESPONSIBILITY FOR COMPLIANCE WITH THE KPDES PERMIT. CONTRARY TO SECTION 213.05, BID ITEMS FOR TEMPORARY BMPS WILL NOT BE LISTED AND WILL BE REPLACED WITH ONE LUMP SUM ITEM FOR THE SERVICES. PAYMENT WILL BE PRO-RATED BASED ON THE PROJECT SCHEDULE AS SUBMITTED BY THE CONTRACTOR AND AS AGREED TO BY THE ENGINEER. THE CONTRACTOR SHALL BE RESPONSIBLE FOR APPLYING "GOOD ENGINEERING PRACTICES" AS REQUIRED BY THE KPDES PERMIT. THE CONTRACTOR MAY USE ANY TEMPORARY BMPS WITH THE APPROVAL OF THE KYTC ENGINEER. THE CONTRACTOR SHALL PROVIDE THE ENGINEER COPIES OF ALL DOCUMENTS REQUIRED BY THE KPDES PERMIT AT THE TIME THEY ARE PREPARED. THE CONTRACTOR SHALL BE RESPONSIBLE FOR THE EXAMINATION OF THE SOILS TO BE ENCOUNTERED AND MAKE HIS OWN INDEPENDENT DETERMINATION OF THE TEMPORARY BMPS THAT WILL BE REQUIRED TO ACCOMPLISH EFFECTIVE EROSION PREVENTION AND SEDIMENT CONTROL. THE CONTRACTOR SHALL BE RESPONSIBLE FOR FILING THE KPDES PERMIT NOTICE OF TERMINATION (NOT) WITH THE KENTUCKY DOW AND ANY LOCAL MS4 PROGRAM THAT HAS JURISDICTION. THE N.O.T. SHALL BE FILED AFTER THE ENGINEER AGREES THAT THE PROJECT IS STABILIZED OR THE PROJECT HAS BEEN FORMALLY ACCEPTED.

PAYMENT: PAYMENT WILL BE BY LUMP SUM UNDER THE BID ITEM "KPDES PERMIT AND TEMP EROSION CONTROL".

SPECIAL NOTE FOR SPOT SUBGRADE STABILIZATION

This Special Note will apply when indicated on the plans or in the proposal. When this note is used a primary subgrade stabilization method will be as outlined in the project plans. This note will only apply for areas of the project where the primary subgrade selected is not feasible due to Maintenance of Traffic, entrances, narrow part-width sections, or other constraints. The locations for the use of this note and the selected alternate are subject to approval of the Engineer. Section references herein are to the current edition of the Department's Standard Specifications for Road and Bridge Construction, including Supplemental Specifications.

1.0 DESCRIPTION. Use one of the following five (5) alternates for the subgrade stabilization.

- A. Eight inches of chemical stabilization using lime or cement
- B. Eight inches of chemical stabilization using stockpiled, lime-stabilized soil (**Alternate "B" only allowed when lime stabilization is the primary subgrade for the project.**)
- C. High-Strength Geotextile Fabric with six (6) additional inches of aggregate base
- D. Geogrid reinforcement and geotextile fabric with eight (8) additional inches of aggregate base
- E. Fifteen (15) inches of rock (#2's, #3's or #23's) wrapped in geotextile fabric. **Do NOT use Alternate "E" under concrete pavements.**

Stabilization should be applied from shoulder break to shoulder break.

2.0 MATERIALS

2.1 Cement, Lime, Asphalt Curing Seal, Water and Sand: Conform to Section 208.02.

2.2 Aggregate: Conform to Section 805.

2.3 Geogrid: Furnish geogrid according to Section 304.

2.4 Type IV Geotextile Fabric: Conform to Section 843.

2.5 High-Strength Geotextile Fabric: Furnish a woven or non-woven fabric meeting the AASHTO M 288 Class 1 strength requirements corresponding to <50% elongation. The fabric shall also comply with table 5 (Stabilization Geotextiles) in AASHTO M 288, with the exception of the minimum permittivity value being 0.1 sec^{-1} .

Packing, Shipment, Storage of Geogrid or Geotextile. Ensure that each roll is labeled with the Manufacturer's name, product type, lot number, roll number, manufactured date, and roll dimension. Protect the fabric or grid from direct sunlight, UV rays, and temperatures greater than 120 °F, mud, dirt, and debris during all periods of shipment and storage.

3.0 CONSTRUCTION

Surface Preparation. Prepare the surface according to Section 207 and Section 208.

3.1 Alternate A - Chemical Stabilization: Construct a minimum 8-inch thick, chemically stabilized roadbed according to Section 208. See the geotechnical notes to determine the type of chemical used for the stabilization (lime or cement) and additional requirements.

3.2 Alternate B - Chemical Stabilization w/ Stockpiled Lime-Stabilized Soil: Construct an 8-inch thick, chemically stabilized Roadbed according to section 208 using stockpiled lime stabilized soil. The lime shall be stockpiled offsite from the subgrade area being stabilized. The stockpiled soil shall consist of either:

- 1) Lime stabilized subgrade constructed in an approved borrow area, or approved area outside the typical section but within right-of-way.
- 2) Lime stabilized soil left over from cutting the chemically stabilized roadbed to final grade. The cuttings shall then be stored in a separate area until needed. The cuttings shall be stored in a minimum thickness of three (3) feet, and the stockpile lightly tamped when completed. The stockpile shall be covered until needed with an asphalt curing seal, or other approved method.

Follow all construction requirements of Section 208 unless otherwise noted herein. The stabilized material shall be maintained at or above optimum moisture content, which may require the addition of water prior to placement of the asphalt seal. Heavy construction traffic shall not be permitted on the pre-mixed material. Compaction requirements of Section 208 will not apply during initial placement with Option 1 (typical lime-stabilized soil from borrow area).

After sealing with an asphalt curing seal, the stabilized soil shall be left in place until needed. If ambient air temperature will drop below 32 degrees Fahrenheit for more than 2 hours, take appropriate measures to cover and protect the stabilized soils, subject to approval of the Engineer.

When ready for subgrade stabilization within the roadbed, excavate pre-stabilized soils and transport to the area to be stabilized. Place pre-stabilized material in 4 to 6-inch loose lifts at the locations determined by the Engineer. Mixing may be performed by disking or other lightweight equipment approved by the Engineer. At the time of reusing the stockpiled soil, additional water may need to be added to increase the moisture content to optimum, or slightly above.

Compaction may be performed with a vibratory sheepsfoot compactor or other approved equipment. Use caution to ensure the selected compactor and other construction equipment will not overload nearby subsurface utilities or produce excessive vibration. Test moisture content with a nuclear or Speedy Moisture gage and add water if needed to maintain a moisture content at or slightly above optimum. Place an asphalt curing seal on the constructed subgrade. Construction traffic shall not be permitted until the subgrade can support traffic without rutting.

3.3 Alternate C - High-Strength Geotextile Fabric: Place High-Strength Fabric at the proper elevation and locations in continuous strips to minimize the amount of joints and wrinkles during placement. All seams shall be sewn according to the Manufacturer's recommendations, **lapping of seams is NOT permitted**. High-Strength Fabric shall be temporarily secured in place to maintain tension during aggregate placement. This may be done with staples, pins, sand bags or backfill as required by fill properties, fill placement procedures, or weather conditions as the Engineer directs. Make sure there are no buckles or folds in the fabric.

Ensure that a **Representative** of the High-Strength Fabric Manufacturer is on the project when work begins, **and at least the first 3 days of fabric construction**. The representative shall remain on call as the project progresses, to advise the Engineer.

High-Strength Fabric should not be completely placed before placing aggregate, but should be placed at the front of a "paving train" consisting of the fabric laydown **equipment followed no further than 50 feet by the aggregate placement equipment**. In curves and intersections, cut and seam the fabric to prevent development of buckles and folds.

Place aggregate over the fabric according to the Contract. Place, spread, and compact the aggregate in such a manner that minimizes the development of wrinkles and movement in the fabric. The Department will require a minimum loose thickness of 6 inches prior to operation of tracked vehicles over the fabric. Keep the turning of tracked vehicles to a minimum to prevent displacement of the fill and damage to the fabric. Rubber tired equipment may pass over the fabric at slow speeds (less than 10

mph). Avoid sudden braking and sharp turning movements. Repair any damage caused during placement or by vehicles.

If the total aggregate base thickness is less than 12 inches, the aggregate base will be placed in one lift. If greater than 12 inches, place the aggregate in 6 inch to 12 inch lifts.

3.3.1 Sampling/Testing of High-Strength Fabric:

The Department will sample the High-Strength Fabric at the project site according to KM 64-113 at a frequency determined by the Engineer. The Department will test the fabric for all properties possible given the testing equipment availability. When the Department determines that an individual samples fails to meet any specification requirement, the Department will reject that roll and sample 2 additional rolls from the same lot. When the Department determines that either of these 2 additional samples fails to comply with any part of the specification, the Department will reject the entire quantity of rolls represented by that sample.

3.4 Alternate D – Geogrid and Fabric: Place geogrid in accordance with Sections 304 and 302 of the current Standard Specifications and in accordance with the contract documents. Place the geotextile fabric first, then place the geogrid on top of the geotextile fabric so that they are at the bottom of the aggregate layer.

Ensure that a **Geogrid Representative** of the geogrid Manufacturer is on the project when work begins, **and at least the first 3 days of geogrid construction**. The representative shall remain on call as the project progresses, to advise the Engineer.

Geogrid shall be temporarily secured in place to maintain tension during aggregate placement. This may be done with staples, pins, sand bags or backfill as required by fill properties, fill placement procedures, or weather conditions as the Engineer directs. Make sure there are no buckles or folds in the geogrid.

Geogrid should not be completely placed before placing aggregate, but should be placed at the front of a “paving train” consisting of the geogrid laydown equipment **followed no further than 50 feet by the aggregate placement equipment**. In curves and intersections, cut and overlap the geogrid. Place the geogrid and aggregate according to Sections 304 and 302, and in accordance with the contract documents.

Contrary to Section 302.03.03, if the total aggregate base thickness is less than 12 inches, the aggregate base will be placed in one lift. If greater than 12 inches, place

the aggregate in 6 inch to 12 inch lifts. All other construction and density requirements of Section 302 will apply.

3.5 Alternate E - Fifteen (15) Inches of Rock and Fabric: Do **NOT** use this alternate for concrete pavements. Use fifteen (15) inches of Coarse Aggregate #2's, #3's or #23's wrapped in Type IV Geotextile Fabric. This will require excavating the subgrade by fifteen (15) inches more than shown on the plans. This alternate also requires positive drainage of the rock roadbed – perforated pipe discharged into weep holes in drainage boxes or headwalls or by daylighting the rock. The drainage solution and the additional 15-inch excavation are incidental to Subgrade Stabilization.

4.0 MEASUREMENT. The Department will measure the quantity of Subgrade Stabilization in square yards. The square yard price will include the additional aggregate (6 or 8 inches), the Type IV Geotextile Fabric and the geogrid, Lime, Cement, Lime Stabilized Roadbed, Cement Stabilized Roadbed, Asphalt Curing Seal, or Sand for Blotter, Coarse Aggregate #2's, #3's or #23's, High-Strength Geotextile Fabric and drainage items. No separate payment will be made for the above items. The Department will not make payment for providing a Geogrid or High-Strength Fabric Manufacturer's representative and will consider it incidental to the bid item for Subgrade Stabilization. The Department will not measure excavation (for 15 inches of rock and fabric or an additional 6 to 8 inches of aggregate) or adjusting subgrade differences between the alternates, and will consider such excavation or adjustments as incidental to Subgrade Stabilization. The Department will not measure hauling, extra handling, or placement of stockpiled lime stabilization soil for payment and will consider these incidental to Subgrade Stabilization. Fuel Price Adjustment does not apply to the Subgrade Stabilization bid item.

5.0 PAYMENT. The Cabinet will make payment for the completed and accepted quantities under the following:

<u>Code</u>	<u>Pay Item</u>	<u>Pay Unit</u>
24790EC	Subgrade Stabilization	Square Yard

The Cabinet will consider payment as full compensation for all work required in this note. If the Department determines a thicker chemical or rock stabilization section is needed once construction begins, the unit price for subgrade stabilization will be adjusted as follows:

Adjusted Unit Price = Original Unit Bid Price * (New Thickness/Original Thickness of Alternate)

SPECIAL NOTE FOR CONCRETE SEALING

These Notes or designated portions thereof, apply where so indicated on the plans, proposals or bidding instruction.

I. DESCRIPTION. Perform all work in accordance with the Department's 2019 Standard Specifications, and applicable Supplemental Specifications, the attached sketches, and these Notes. Section references are to the Standard Specifications.

This work consists of: (1) Furnish all labor, materials, tools, and equipment; (2) Clean the concrete surface; (3) Seal the concrete surface; (4) Maintain & control traffic; and, (5) Any other work specified as part of this contract.

II. MATERIALS.

A. Sealer. Use one of the following:

Product	Supplier
Protectosil BHN	Evonik Industries
Protectosil 300S	Evonik Industries
TK-590-40 Tri-Silane 40%	TK Products
SW-244-100	Chemical Products Industries, Inc.
TK-590-1 MS Tri-Silane	TK Products
MasterProtect H1000	BASF
Aquanil Plus 40	ChemMasters
SIL-ACT ATS-100	Advanced Chemical Technologies
Certivex Penseal BTS 100%	Vexcon
Pentreat 244-40	W.R. Meadows
Aquanil Plus 40A	ChemMasters

- B. Coverage Rate:** Follow all manufacturers recommendations for coverage rates except the application rate must not exceed the square footage coverage rate per gallon of sealer as given in the chart below. If the manufacturer recommends a coverage rate greater than given in the table below, apply sealer at the rate given in the table below for the chosen sealers silane percentage.

% Silane	Coverage rate (ft ² /gallon)
100	300
40	120
20	60

III. CONSTRUCTION.

- A. Curing Compound.** Contrary to Section 609.03.12 of the specifications, curing compound is not to be used on this surface due to potentially causing issues with the concrete sealer. During the concrete pour, finishing operations of the Class A concrete shall be kept continuously moist with the use of a mister until burlap or curing blankets are applied to the surface. At no point should water be pooling or running off the surface or the surface of the concrete be allowed to become dry. After the burlap or curing blankets are installed, cure in accordance with the specifications. Include all costs in the unit price bid for Class A concrete. Failure to properly cure the concrete in accordance with this note and the specifications may result in weakened or cracked concrete. If the concrete is weakened or cracked due to improper curing, the contractor will be responsible for providing alternates to fix the issues to the Engineer for review and the contractor will be solely responsible for all costs to do so, up to complete replacement. Do not begin any construction on fixing any issues without approval of the Engineer.
- B. Cleaning the Concrete Surface.** Dry clean the concrete surface to remove all loose debris. Remove all visible hydrocarbons from the surface with detergent approved by the manufacturer of the sealant. Pressure wash all surfaces to be sealed at 2000 to 3000 psi. Install pressure gauges at each wand to verify pressure. Use 30° fan tip or as recommended by the manufacturer of the sealant. Hold pressure washing wand a minimum of 45° from the surface with a maximum stand-off distance of 12 inches.
- C. Sealing the Concrete Surface.** Allow new concrete to cure a minimum 28 days prior to application of sealer. Monitor weather conditions prior to sealer application. Refer to manufacturer’s recommendations for proper ambient conditions. Do not apply sealer if precipitation is anticipated within the time stated by the manufacturer. Allow the surface to dry 24 hours (after washing or rain event) before sealer application. Sealer must be applied within 48 hours of washing or the surface must be rewashed. Divide the surface into predefined areas of specific square footage to aid in determining usage. Comply with manufacturer’s usage recommendation. Using a low pressure pump, apply sealer and

spread evenly with broom or squeegee; do not allow pooling to remain. When each predefined area is complete, measure the amount of sealer used to verify proper usage. After sealing, follow manufacturer's recommended cure time. On vertical surfaces, apply the sealer in a flooding application from the bottom up, so the material runs down 6 to 8 inches below the spray pattern.

D. Inspection: Monitor all aspects of the project to assure compliance to this specification. Observe and document general conditions during the entirety of the project. Verify that each phase of work has been satisfactorily completed prior to beginning the next phase. Phases are described as follows:

1. Dry cleaning to remove loose debris, verify and document:
 - a. All debris has been removed and disposed of properly.
2. Removal of hydrocarbons, verify and document:
 - a. The manufacturer's recommended detergent is used for removal.
 - b. Hydrocarbons have been satisfactorily removed.
3. Pressure washing, verify and document:
 - a. Washing pressure at the wand.
 - b. Tip size used.
 - c. Wash angle and stand-off distance.
 - d. The surface is satisfactorily cleaned.
4. Sealer application, verify and document:
 - a. Proper cure time for new concrete.
 - b. Surface is dry.
 1. Document time since washed.
 - c. Ambient conditions.
 1. Document ambient temperature, surface temperature, relative humidity, and dew point.
 - d. Application and distribution method.
 - e. Coverage to be complete and even.
 - f. Material is not allowed to remain pooled.
 - g. Monitor material usage.
 - h. No traffic until proper cure time is allowed.

IV. MEASUREMENT

- A. Concrete Sealing.** The Department will measure the quantity per square feet of each area sealed.

V. PAYMENT

- A. Concrete Sealing.** Payment at the contract unit price per square feet is full compensation for the following: (1) Furnish all labor, materials, tools, and equipment; (2) Clean the concrete surface; (3) Seal the concrete surface; (4) Maintain & control traffic; and, (5) Any other work specified as part of this contract.

SPECIAL UTILITY BID ITEM DESCRIPTIONS

Gas Special Bid Item Descriptions

G SPECIAL ITEM (TEST & RE-LIGHT) The Test & Re-light work includes turning on and off the gas service, separating existing facilities for testing, air testing, re-connecting the meter set, and re-lighting the customer appliances according to Duke Energy approved procedures. Please refer to the Utility Company's Specifications. If the Company does not have specifications, KYTC's Specifications shall be referenced. This item shall be paid EACH (EA) when complete.

SPECIAL Sanitary Sewer Bid Item Description

S SPECIAL ITEM - # 15120 This item shall include all labor, equipment, and materials needed to complete a temporary bypass piping for diversion of sewage during sanitary sewer construction. This item shall be paid for the temporary bypass pipe installation, maintenance and operation as called out on the plans or directed by the engineer and actually performed from Existing Manhole #2290012 to Existing Manhole #02290010. There will be no separate bid items defined for length, duration, or volume of sewage pumped or hauled in each occurrence. The contractor shall draw his own conclusions as to what labor, equipment, and materials may be needed for each bypass temporary sewer pipeline occurrence, including but not limited to temporary tie-in and restorations of existing manholes, bypass pumping (should it be required at any point in time), and installation, removal, and restoration of temporary pipe until such time as the proposed line is in service. The contractor should be prepared to handle the maximum volume of the sewer being bypassed, even during a storm event. Please refer to the Utility Company's Specifications. If the Company does not have specifications, KYTC's Specifications shall be referenced. This item shall be paid EACH (EA).

Bromley-Crescent Springs Road

06-419.00

SPECIAL NOTE FOR PHASING OF CULVERT, RETAINING WALL AND UTILITY CONSTRUCTION

The notes are for general information. The contractor shall draw his own conclusion regarding timing and phasing of specific operation. Performing work outside of this recommended phasing shall be done at his own risk with approval of the Engineer.

1. Begin the 12'x7' Box Culvert Construction from the outlet end working outside of any traffic impacts.
2. Sanitary Sewer, Line "A" only, should be constructed as one of the first operations in order to allow drilling of shafts for the retaining wall without fear of damage to the existing sewer line operation in that area.
3. Construction of the benching and embankment left of Centerline from Station 12+25 to 17+60 shall be initiated early in order to facilitate construction of Waterline Line "W-1". This work shall be performed without closing or modifying the traffic lanes south of Edenderry except with flag-persons during allowable hours.
4. Waterline Line "W-1" can be constructed at any time after the embankment left of Centerline from Station 12+25 to 17+60 is completed.
5. Begin H-pile Retaining Wall Construction and associated excavation that can be constructed outside of traffic.
6. Waterline Line "W-2" shall be constructed from W. L. Station 10+00 to 23+75 (Roadway Station 32+25) with a temporary tie-in to the existing waterline at Rdwy Sta 32+35. This will facilitate construction of DUKE GAS main construction; the existing waterline is in conflict with the Proposed Duke Energy Gasline from Roadway Station 28+25 to 32+25 and must be out of service prior to GAS Line construction. This section of Duke Gas must be installed by "OPEN CUT" methods due to the abandoned (by this contract), existing waterline being in same location both horizontally and vertically.
7. Construct the embankment over the outlet end of the 12'x7' Culvert from Station 41+75 to 47+00, enough to install the DUKE GAS line and to begin construction of the Waterline in that area.
8. Construct the Duke Gas main in its entirety, except from Station 39+23 to 42+75; at those stations, install a temporary gas line (or feed from both ends if Duke Energy allows this to happen for an extended period of time) until the 12'x5' Culvert and cover embankment/backfill is constructed near Station 40+00 to 42+00 at outlet end of the existing bridge.
9. With the existing gas temporarily relocated install a temporary sanitary line as shown in the sanitary sewer plans in order to maintain sewer flow, allow continued construction of the 12'x7' culvert and maintain flow in the stream.
10. The existing Watermain, currently shown encased under the creek near the culvert inlet, is to remain in service and be protected until the sewer and gas are completed in their entirety for the project.
11. Close Bromley Crescent Springs Road north of Edenderry to Amsterdam Road.

12. Complete the fill over the 12'x7' RCBC and near existing bridge outlet to facilitate completing the installation of the Duke Gas. (Item 7 above) and the proposed Sanitary Sewer.
13. Complete additional and final length of Culvert in order to facilitate construction of the remainder of the Waterline Line W-2 if it cannot be completed with the previous section.
14. Maintain Utility services and reasonable access at all times to Parcel #26 Hochman.
15. Maintain Utility services and reasonable access to Parcel #22 Peek.

SPECIAL NOTE FOR REMOVAL OF IMPROVEMENTS (CLEARANCE OF RIGHT OF WAY)

The awarded contractor shall be responsible for contacting Sanitation District #1 at (859) 578-6895 to determine if a sanitary service line cap is required, also conform to SD1 policy regarding capping service lines.

The contractor should contact Kenton County Public Works at PHONE NO: 859-392-1920 before beginning work on this demolition project.

COMPLIANCE

All work performed under these Plans and Specifications must adhere to all codes, regulations and requirements of all inspection and regulatory agencies and the work will be performed according to these requirements. If the plans and specifications do not set forth all codes, etc., this does not relieve the Contractor of the responsibility to adhere to all requirements necessary for completing the Contract in accordance with all necessary codes, regulations and requirements.

If problems are found during demolition, they will be brought to the attention of the Kenton County Engineer for review and direction. However, this does not relieve the Contractor of bidding and constructing the project in accordance with all requirements.

LOCATION

This scope of work applies to the demolition of residential structures and associated appurtenances on three separate parcels, (Parcel #22, Parcel #28 and Parcel #29) located at: 2153 Bromley-Crescent Springs Road, Crescent Springs, KY 41017, 2101 Bromley-Crescent Springs Road, Crescent Springs, KY 41017 and 1953 Amsterdam Road, Crescent Springs, KY 41017 respectively. The structures and appurtenances to be demolished are as identified below and are located between roadway Station 33+20 Right and Station 34+10 Right on plan sheets R7 and R9, Station 44+50 Right and Station 46+60 Right on plan sheet R11, and Station 48+00 Right and Station 48+50 Right, on plan sheet R11, further bounded by the edge of pavement for the existing roadway and the temporary easement for building removal line or as shown. *(SEE FIGURES 1 and 2)*

SCOPE OF WORK/DESCRIPTION

Work shall consist of the removal and the proper disposal of buildings, fences, septic tanks, driveways, paved areas, conduits, and other miscellaneous structures and encumbrances which exist upon or within the right of way and/or easements areas on the designated parcels. All work shall be in accordance with these specifications and any special provisions that may be included as a part of the contract.

GENERAL PROVISIONS

The contractor shall not begin work until he has notified the Kenton County Engineer in writing that all utilities have been disconnected by the utility companies involved.

The contractor agrees to indemnify and hold the County harmless for any fines or penalties assessed to the County as a direct result of the contractor's actions or omissions.

The contractor shall provide for adequate protection to safeguard the public at all times. He shall employ watchmen when necessary, and shall furnish and maintain barricades, lanterns or flares, and other devices considered necessary for the protection of the public.

If a street or road is to be closed or obstructed during the clearance of improvements a permit shall be secured by the contractor from the proper authority. The County, Fire Department, Police Department, and utility companies involved shall be given notice by the contractor of the time when such street or road is to be closed or obstructed.

The contractor shall use every precaution to prevent any damage to adjacent property and buildings. All equipment, tools, and materials permitted to remain on the right of way during the operations shall be neatly stored in such a manner as will not interfere with the rights and privileges of the adjacent property owners.

The contractor shall use every precaution to prevent damage to building walls which

are jointly owned and are required to remain in place and shall assume full responsibility for any damage to an adjoining building resulting from his work or carelessness. All such wall structures shall be left sound and with an acceptable appearance. The contractor shall save the County or any of its officers or agents harmless from damages or claims from his operations on a common or adjacent wall of a structure that is to remain in place.

All property line walls owned jointly with an adjacent property owner shall remain the property of the Commonwealth and the adjacent property owner, and shall remain in place unless otherwise specified in the contract.

All material from the clearance of improvements will become the property of the contractor, unless otherwise specified in the contract. The contractor (*at his own expense*) shall remove from the site and dispose of all materials in the manner set forth in Disposal of Materials Section of this specification. Removal of trees/stumps shall be paid for under the bid item for Clearing and Grubbing and will not be required under the scope for Removal of Improvements.

The County will not be responsible for plumbing fixtures, electrical fixtures, fences, storm doors, storm windows, or any other items of value left on the property.

SEEDING REQUIREMENTS FOR ALL DISTURBED AREAS

All areas that are disturbed as a result of the removal of the improvements and filling of basements or other open holes, to include borrow pits, upon completion of work shall be leveled and/or graded and temporarily mulched if work to construct remaining contract items does not begin within 7 days. This installation shall be considered incidental to the item for Removal of Improvements.

RODENT CONTROL

Rodent control measures are not required on this contract.

Rodent control measures are required on this contract and will be the responsibility of the successful bidder. The approved contractor must subcontract with a licensed exterminator for necessary rodent control measures **PRIOR** to beginning removal activities. The cost of this service shall be considered and included in the contract price. Satisfactory completion of rodent control measures must be documented by submission of a paid receipt from the licensed exterminator performing the work. The successful bidder will be allowed

ten (10) calendar days after award of the contract to complete necessary rodent control measures. (NOTE: failure to submit paid receipt referenced herein will result in a penalty of \$200.00.)

DISPOSAL OF MATERIALS

Debris, Trash and Waste Materials – No debris, trash or waste material is to be buried on site. All debris, trash and waste material resulting from the removal of improvements shall be disposed of at a site or facility for which a permit for waste disposal has been issued by the Natural Resources and Environmental Protection Cabinet, Department for Environmental Protection, Division of Waste Management (excluding any material which is recovered for salvage/reuse including brick, concrete or blacktop which is to be disposed of as beneficial reuse). The cost of this disposal shall be considered and included in the contract price. Upon completion of the contract, the contractor will furnish the Kenton County Engineer with the name and address of the waste disposal site used and copies of the disposal receipts indicating the amount of material disposed.

Materials Requiring Special Disposal - It shall be the responsibility of the contractor to properly dispose of any hazardous waste, paint, tires, automobile batteries, etc. in a manner that meets all local, state and federal regulations regarding this type of disposal.

The cost of this disposal shall be considered and included in the contract price. Upon completion of the contract, the contractor will furnish the Kenton County Engineer with the name and address of the disposal site used and copies of the disposal receipts indicating the type and amount of material disposed.

HAZARDOUS MATERIALS- In the event the contractor unexpectedly encounters on the site material reasonably believed to be asbestos, polychlorinated biphenyl (PCB) or other classified hazardous substances/materials which have not been rendered harmless, the contractor shall immediately stop work in the area affected and report the condition to the owner. The work in the affected area shall not thereafter be resumed except by written agreement of the owner and contractor if in fact the material is asbestos, polychlorinated biphenyl (PCB), or other classified hazardous substances/materials which have not been rendered harmless. The work in the affected area shall be resumed in the absence of any classified hazardous

substances/materials or when it or they have been rendered harmless.

ENERGY AND ENVIRONMENT CABINET

If vendor has received a fine from EEC for a major infraction/violation within the last six months the vendor's bid may be rejected as nonresponsive. The County reserves the right to review all vendor violations and to determine the level of infraction/violation.

Below is a link to the Division of Waste Management website if you need information about permitted landfills. <http://www.waste.ky.gov>

RECOVERY OF REFRIGERANT

When a refrigeration unit (central air conditioners, freezer units, coolers, etc) is to be removed intact from the site for reuse, evacuation/recovery of refrigerant is not required. All refrigerant must be completely evacuated/recovered from any refrigeration unit which is not to be removed intact from the site or is to be removed for disposal. Evacuation/recovery is to take place prior to destruction of the unit. This evacuation/recovery must be performed by a licensed HVAC operator and documented by the submission, to the Kenton County Engineer, of a paid receipt from the licensed HVAC operator who performed the reclamation. The cost of refrigerant evacuation/recovery shall be considered and be included in the contract price.

OPEN BURNING

In compliance with "401 KAR 63:005. Open Burning", no open burning of improvements, trash, debris or waste material will be permitted on the contract. The referenced KAR may be viewed on the Kentucky Legislation webpage <http://www.lrc.ky.gov/kar/401/063/005.htm>

Should open burning by unknown parties take place, the contractor shall immediately notify the Kenton County Engineer, the appropriate regional office of the Natural Resources and Environmental Protection Cabinet, Department for Environmental Protection, Division for Air Quality and local law enforcement authorities. A written report of these notifications is to be submitted to the Kenton County Engineer within 5 working days of the discovery of the burning.

CLEARANCE PROCEDURES

The removal of improvements is subject to all applicable statutes and regulations of federal, state, county and city governmental agencies, and in addition all work performed must strictly comply with the specifications stated herein.

Contractor is cautioned against incorporating any changes in these specifications without approval of the Kenton County Engineer. Any unapproved changes on this project will not be recognized for payment by the Owner. At no time will the County be responsible for vandalism to improvements.

The Contractor shall not use any county owned equipment nor county personnel on this project during the terms of this Contract.

The contractor shall confirm that all existing utility services have been disconnected at the meter or at the service cutoff valves by the proper utility company. Water lines shall be removed to the service meters, and gas lines shall be removed to the service cutoff valves. Sewer lines shall be removed to the main line or to a depth well below the elevation of the proposed construction, and the remaining opening shall be closed with a masonry plug equal to the diameter of the pipe.

Buildings shall be removed and/or demolished in conformity with the best practices of the trade and in compliance with all ordinances and regulations pertaining to such work.

Once removal activities have begun on an improvement, the debris must be promptly removed and all other contract specifications completely finished within a reasonable time at the discretion of the Kenton County Engineer.

The contractor shall (*at his own expense and in a manner satisfactory to the County*) sprinkle water on the debris as the work is being accomplished to eliminate dust from invading the surrounding neighborhood.

The contractor shall keep sidewalks and streets clean and (*if necessary*) repaired so as to not become a hazard to the public.

Walks, driveways, and paved areas shall be removed to the limits of the property

lines or to the pavement edges of roads, streets or alleys.

Cisterns, cesspools, septic tanks and similar installations shall be emptied and the walls removed and/or broken up to a depth sufficient for proper filling as specified below, except when provided in the proposal for complete removal. Cesspools, septic tanks and similar installations are to be pumped by a licensed septic tank service prior to removal and documented by the submission of a paid receipt from the service that performed the pumping. The cost of pumping shall be considered and included in the contract price.

Basements shall be cleared of all debris, appliances, partition walls, wooden floors, and other items. Concrete basement floors, basement walls and foundation walls shall be completely removed.

All open basements and other holes resulting from the removal of existing buildings, septic tanks, cisterns, or other structures (*after being cleared to a shovel clean condition*) shall be filled with stone, sand, or suitable earth compacted in layers to obtain a suitable field density unless otherwise specified in the description of work. No direct payment will be allowed for this work.

Prior to filling all open basements and other holes resulting from the removal of existing buildings, septic tanks, cisterns, or other structures, the contractor shall notify the Kenton County Engineer of the time he will begin to fill the hole(s). This notice shall be at least twenty-four (24) hours in advance to allow the Kenton County Engineer to have an inspector present prior to and during the work. Basements and other open holes resulting from the removal of existing buildings, septic tanks, cisterns, or other structures shall not be filled on weekends, or holidays without special advance authorization.

Failure to notify the Kenton County Public Works Office prior to filling any basement or open hole may result in the contractor being required to remove all material from the hole for an inspection of the material used. This removal and refilling shall be at the expense of the contractor. All sites need to be graded to existing ground level unless otherwise specified in the description of work.

DRILLED OR DUG WATER WELLS AND MONITORING WELLS SHALL NOT BE FILLED -

It shall be the responsibility of the contractor to see that no debris or foreign material falls into any water well or monitoring well during the removal of buildings or other items, and each well must be temporarily covered. No direct payment will be

allowed for this work.

CLEANUP-The contractor shall at all times keep the project premises and surrounding area free from the accumulation of waste materials or rubbish caused by his operations in connection with the project. Upon completion of the work, and prior to final inspection and acceptance, the contractor shall remove all remaining waste materials, rubbish, contractor's construction equipment, tools, machinery and surplus materials and leave the project (including but not limited to glass, hardware, fixtures, masonry, tile and marble) in a clean and usable condition satisfactory to the owner. If the contractor fails to clean up as provided in the contract documents, the owner may perform the cleaning tasks and charge the cost to the contractor.

INITIATION AND COMPLETION OF PROJECT Within 7 days after the award of contract, the contractor shall meet with the Kenton County Engineer for a revision and submission of the Notification of Asbestos Abatement/Demolition/Renovation (DEP 7036) to the Division of Air Quality if required.

SAFETY OF PERSONS AND PROPERTY

The contractor shall continuously maintain adequate protection of all work from damage and shall protect the owner's property from injury or loss arising in connection with this contract. He shall make good any such damage, injury, or loss, except such as may be directly due to errors in the specifications or caused by agents or employees of the owner. The contractor shall adequately protect adjacent property as provided by law and the contract.

The contractor shall take all necessary precautions for the safety of employees on the work site, and shall comply with all applicable provisions of federal, state, and municipal safety laws and building codes to prevent accidents or injury to persons on, about, or adjacent to the premises where the work is being performed.

PENALTIES

If penalties are assessed as a result of the contractor's failure to perform to the specifications of this contract, penalties shall be deducted from the amount of the contract. If penalties exceed the amount of the contract the vendor shall be required to reimburse County for all penalties incurred. Vendor shall be responsible for any penalties incurred by Sub-contractors providing services for vendor. If outstanding penalties are owed by the vendor, future bids of vendor

shall be rejected as non-responsible until such times all penalties are paid in full.

INDEMNIFICATION

The contractor shall indemnify and hold the owner harmless from any and all claims, liability, damage, loss cost and expense of every type whatsoever including, without limitation, attorneys' fees and expenses, in connection with the contractor's performance of this contract, provided that such claims, liability, damage, loss, cost or expense is due to sickness, personal injury, disease or death, or to loss or destruction of tangible property (other than the work itself), including loss of use resulting there from, to the extent caused by the contractor, or anyone for whose acts the contractor may be liable, regardless of whether such liability, claim, damage, loss, cost or expense is caused in part by the owner.

PAYMENT

Payment for the scope of work as identified in these notes shall be lump sum for the pay item "Removal of Improvements" for each parcel. The County will consider payment as full compensation for all work required under this section.

FIGURE 1

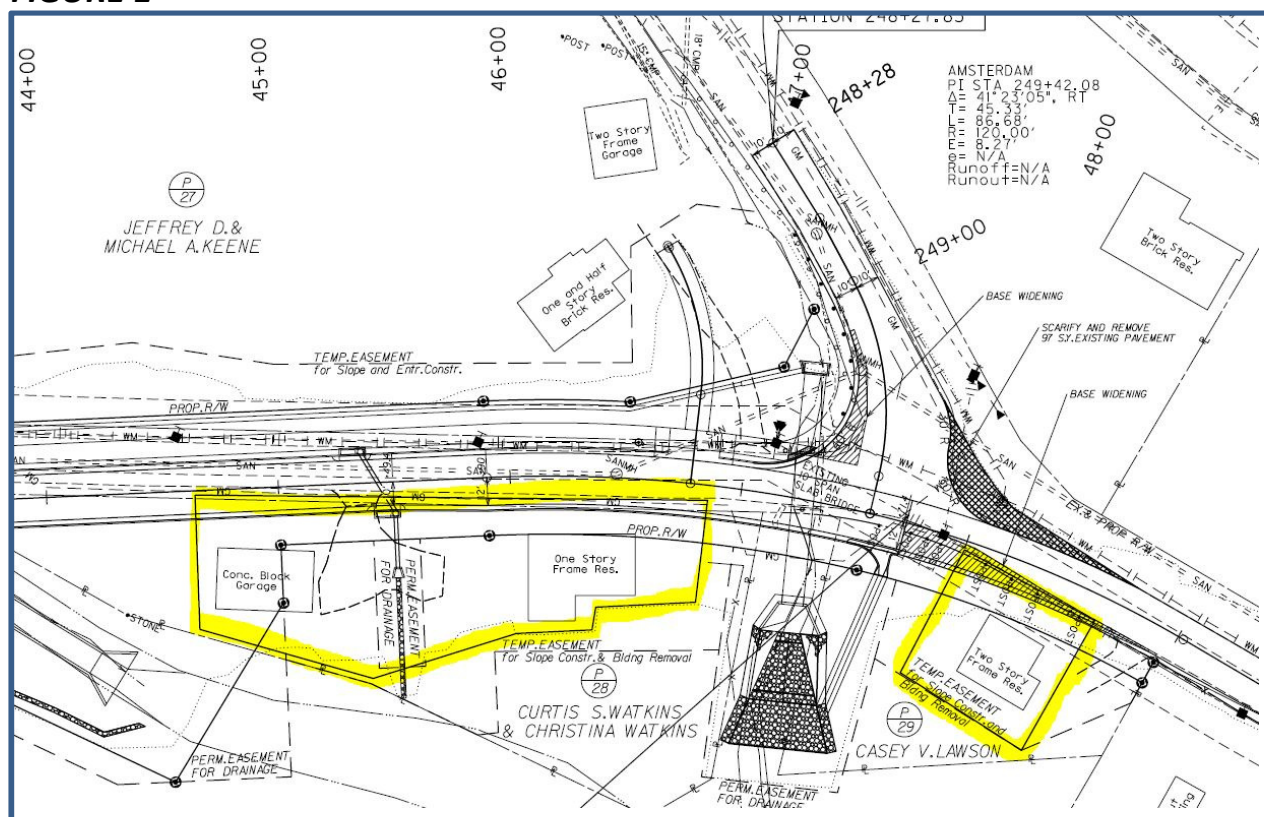
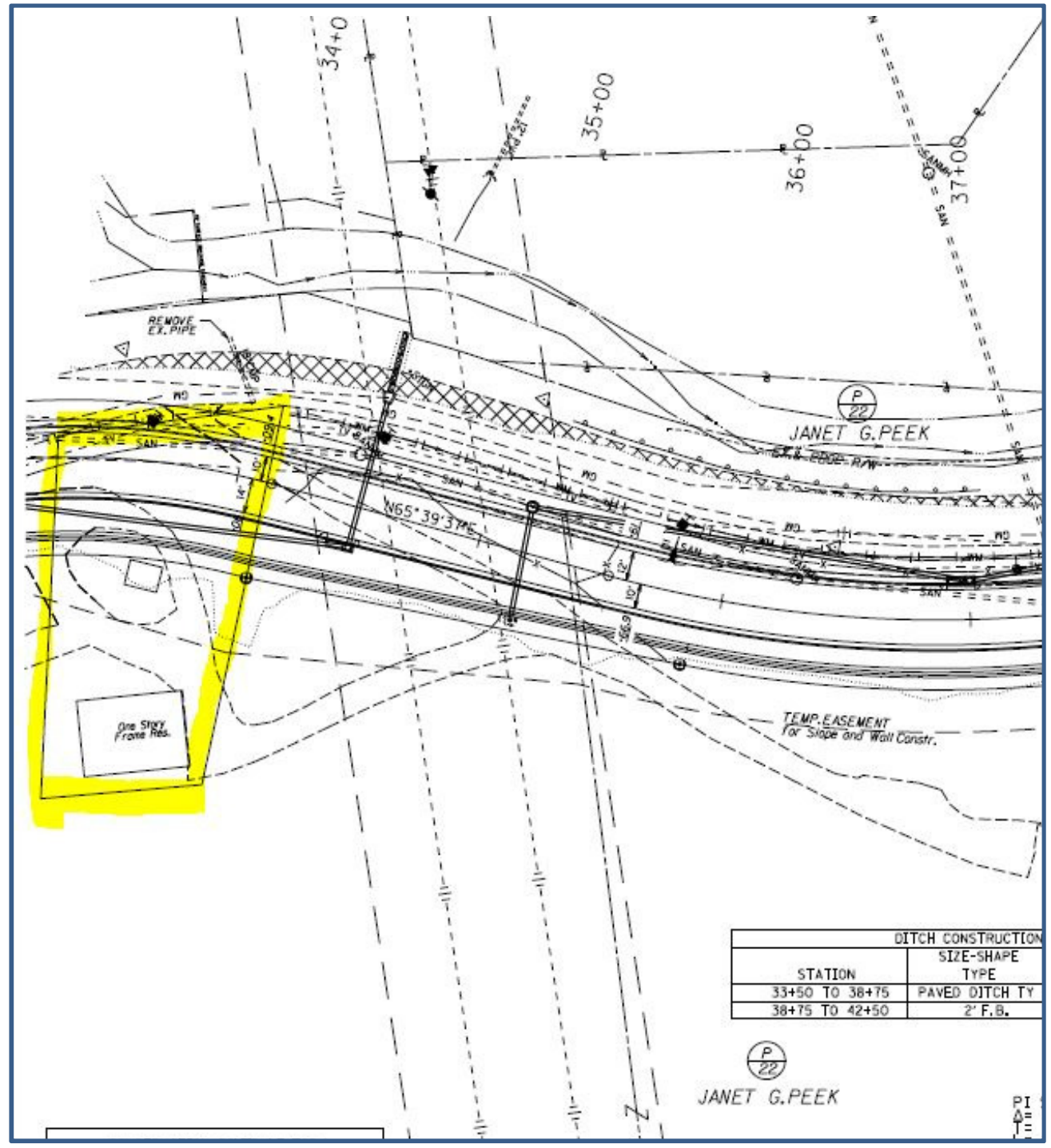


FIGURE 2



SPECIAL NOTE

For Tree Removal

**Kenton County
KY 2373 Grade, Drain and Surface
Item No. 06-419.00**

**NO CLEARING OF TREES 5 INCHES OR GREATER (DIAMETER BREAST
HEIGHT) FROM JUNE 1 THROUGH JULY 31.**

**If there are any questions regarding this note, please contact the Kentucky
Transportation Cabinet, Division of Environmental Analysis, 200 Mero Street,
Frankfort, KY 40601, Phone: (502) 564-7250.**

	KENTUCKY TRANSPORTATION CABINET Department of Highways DIVISION OF RIGHT OF WAY & UTILITIES RIGHT OF WAY CERTIFICATION	TC 62-226 Rev. 01/2016 Page 1 of 1
---	---	--

<input checked="" type="checkbox"/>	Original	<input type="checkbox"/>	Re-Certification	RIGHT OF WAY CERTIFICATION
ITEM #	COUNTY	PROJECT # (STATE)	PROJECT # (FEDERAL)	
06-419.00	Kenton	12F0 FD52 059 8865701R	STPM 3002 (258)	
PROJECT DESCRIPTION		Bromley-Crescent Springs Road and Multi-Use Path		

No Additional Right of Way Required
 Construction will be within the limits of the existing right of way. The right of way was acquired in accordance to FHWA regulations under the Uniform Relocation Assistance and Real Property Acquisitions Policy Act of 1970, as amended. No additional right of way or relocation assistance were required for this project.

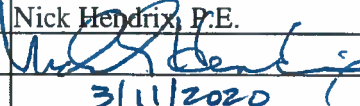


Condition # 1 (Additional Right of Way Required and Cleared)
 All necessary right of way, including control of access rights when applicable, have been acquired including legal and physical possession. Trial or appeal of cases may be pending in court but legal possession has been obtained. There may be some improvements remaining on the right-of-way, but all occupants have vacated the lands and improvements, and KYTC has physical possession and the rights to remove, salvage, or demolish all improvements and enter on all land. Just Compensation has been paid or deposited with the court. All relocations have been relocated to decent, safe, and sanitary housing or that KYTC has made available to displaced persons adequate replacement housing in accordance with the provisions of the current FHWA directive.

Condition # 2 (Additional Right of Way Required with Exception)
 The right of way has not been fully acquired, the right to occupy and to use all rights-of-way required for the proper execution of the project has been acquired. Some parcels may be pending in court and on other parcels full legal possession has not been obtained, but right of entry has been obtained, the occupants of all lands and improvements have vacated, and KYTC has physical possession and right to remove, salvage, or demolish all improvements. Just Compensation has been paid or deposited with the court for most parcels. Just Compensation for all pending parcels will be paid or deposited with the court prior to AWARD of construction contract

Condition # 3 (Additional Right of Way Required with Exception)
 The acquisition or right of occupancy and use of a few remaining parcels are not complete and/or some parcels still have occupants. All remaining occupants have had replacement housing made available to them in accordance with 49 CFR 24.204. KYTC is hereby requesting authorization to advertise this project for bids and to proceed with bid letting even though the necessary right of way will not be fully acquired, and/or some occupants will not be relocated, and/or the just compensation will not be paid or deposited with the court for some parcels until after bid letting. KYTC will fully meet all the requirements outlined in 23 CFR 635.309(c)(3) and 49 CFR 24.102(j) and will expedite completion of all acquisitions, relocations, and full payments after bid letting and prior to AWARD of the construction contract or force account construction.

Total Number of Parcels on Project	15	EXCEPTION (S) Parcel #	
Number of Parcels That Have Been Acquired			
Signed Deed	15		
Condemnation			
Signed ROE			

Notes/ Comments (Use Additional Sheet if necessary)

LPA RW Project Manager		Right of Way Supervisor	
Printed Name	Nick Hendrix, P.E.	Printed Name	Lynn Whalen
Signature		Signature	
Date	3/11/2020	Date	Date: 2020.03.12 10:47:50 -04'00'
Right of Way Director		FHWA	
Printed Name	Dean Loy	Printed Name	No Signature Required as per FHWA-KYTC Current Stewardship Agree
Signature		Signature	
Date	Date: 2020.03.12 11:06:19 -04'00'	Date	

UTILITIES AND RAIL CERTIFICATION NOTE

**KENTON COUNTY
OSTPM 3002 (258)
BROMLEY–CRESCENT SPRINGS ROAD
Item No. 6-419.00**

GENERAL PROJECT NOTE ON UTILITY PROTECTION

Utility coordination efforts determined that utility relocation work is required to complete the project. Any work pertaining to these utility facilities is defined in the bid package and is to be carried out, as instructed by the Kentucky Transportation Cabinet. The contractor will be responsible for any coordination or adjustments that are discussed or quantified in the proposal.

Damage to Utilities

Any intentional or accidental disruption of service due to damage to any utility service mains caused by any of the contractor's operations without three days advance notice to the utility owner shall be cause for the Cabinet to charge liquidated damages in the amount of five thousand dollars per day (\$5000/day) per occurrence against the contractor until such time as the utility service is restored.

Any intentional or accidental disruption of any individual utility service caused by any of the contractor's operations without three days advance notice to the utility owner shall be cause for the Cabinet to charge liquidated damages in the amount of five hundred dollars per day (\$500/day) per occurrence against the contractor until such time as service is restored.

In the case of a main disruption or electric service, liquidated damages shall be charged at the main and/or electric service disruption rate only. Liquidated damages shall not be charged in addition for service disruptions when a main disruption is involved.

Flowable Fill Requirement

The road contractor MUST use flowable fill as the backfill media any place gas, water or sewer lines cross under existing or proposed roadway surfaces. It should also be noted that the cost of the flowable fill shall be incidental to the cost of the gas, water or sewer line being installed.

External Utility Permits

Kentucky Division of Water permits for water and sanitary sewer relocation construction were not available before bidding. These items will be distributed at the preconstruction meeting.

Abandoned Utilities

The contractor shall safeload the entire length of all abandoned pipes 6 inches in diameter and larger under proposed pavement and under any existing pavement that is to remain. The contractor shall safeload the entire length of all abandoned pipes 15 inches and larger which will be located outside of proposed pavement but within project limits. Appropriate bid items have been included in the road contract. The safeloading criteria above shall be observed unless otherwise directed by the Section Engineer or his representative.

UTILITIES AND RAIL CERTIFICATION NOTE

**KENTON COUNTY
OSTPM 3002 (258)
BROMLEY–CRESCENT SPRINGS ROAD
Item No. 6-419.00**

Utility Phasing

The contractor should be aware that some utilities will need to be relocated first to accommodate the relocation of others. The contractor should review the plans and draw his own conclusions as to the phasing of the work of various utilities. The contractor should pay close attention to the proximity of construction of new facilities when working in the vicinity of existing water mains to prevent blow outs.

Road Construction Field Adjustments To Accommodate Utilities

Some minor adjustments to road work may be required in the field to work around some poles and other Utility infrastructure. The road contractor should discuss any adjustments with the Section Engineer or his Inspector as they arise. The adjustments anticipated are to ditches and other such minor items so that poles and such are not in the center bottom of ditches where debris may collect.

NOTE: DO NOT DISTURB THE FOLLOWING UTILITIES LOCATED WITHIN THE PROJECT DISTURB LIMITS

Duke Energy Gas has some facilities within the project area that are not to be disturbed. Portions of these facilities shall remain in service throughout the life of the contract. Other portions shall be relocated as part of the contract in accordance with the plans and other contract documents. The existing 6" gas main currently runs along the length of Bromley Crescent Springs Road at various location including under the exiting roadway.

Sanitation District No. 1 maintains a sanitary sewer system within the roadway construction limits. Portions of the sanitary sewer are to remain undisturbed and other portions are to be relocated with the roadway contract.

The Contractor is fully responsible for protection of all utilities listed above

THE FOLLOWING COMPANIES ARE RELOCATING/ADJUSTING THEIR UTILITIES WITHIN THE PROJECT LIMITS AND WILL BE COMPLETE PRIOR TO CONSTRUCTION

No utility relocations will have been completed prior to construction.

Sanitary sewer, water, and gas facilities are to be relocated by the road contractor.

Electric, CATV, and telephone facilities relocation should be started before construction; but, is expected to be ongoing when the contractor arrives. These relocation will be completed concurrently with the road construction.

UTILITIES AND RAIL CERTIFICATION NOTE

**KENTON COUNTY
OSTPM 3002 (258)
BROMLEY–CRESCENT SPRINGS ROAD
Item No. 6-419.00**

**THE FOLLOWING COMPANIES HAVE FACILITIES TO BE RELOCATED/ADJUSTED
BY THE UTILITY COMPANY OR THE COMPANY'S CONTRACTOR
AND IS TO BE COORDINATED WITH THE ROAD CONTRACT**

Cincinnati Bell Telephone, Duke Energy Electric, Spectrum CATV, Windstream and Zayo maintain overhead and underground lines affected by this project. During construction, these areas are not to be disturbed by or conflict with road construction activities. The contractor is expected to coordinate and cooperate with these companies until their relocations are complete. These facilities within the project area are expected to be relocated and existing/conflicting poles and lines removed by April 1, 2021.

The Department will consider submission of a bid as the Contractor's agreement to not make any claims for additional compensation due to delays or other conditions created by the operations of Duke Energy, Cincinnati Bell Telephone, Spectrum Cable, Windstream Communications, or Zayo Communications. The contractor may elect to mobilize prior to completion of the Overhead Utility relocation and begin work in accordance with the plan documents. However, such mobilization shall be at his own risk. If the contractor elects an early start and his work is subsequently limited and or halted due to overhead utility conflicts, he shall maintain the project in proper order regarding, but not limited to, maintenance of drainage, pavement, traffic control and erosion control and he should expect that there will be no compensation for downtime, demobilization or remobilization, loss of productivity or any other perceived or real loss.

UTILITIES AND RAIL CERTIFICATION NOTE

**KENTON COUNTY
OSTPM 3002 (258)
BROMLEY–CRESCENT SPRINGS ROAD
Item No. 6-419.00**

**THE FOLLOWING COMPANIES HAVE FACILITIES TO BE RELOCATED/ADJUSTED BY THE ROAD
CONTRACTOR AS INCLUDED IN THIS CONTRACT**

ATTENTION!

Due to the complexities of utility relocation, retaining wall and culvert work contained in the contract, a “SPECIAL NOTE FOR PHASING OF CULVERT, RETAINING WALL AND UTILITY CONSTRUCTION” is included elsewhere in the proposal. The contractor should review this document to be aware of these complexities.

Sanitation District No. 1 has existing **storm sewer** facilities on Edenderry Drive east and west of Bromley Crescent Springs Road that they maintain for the city. These facilities are not to be disturbed except as detailed in the plans.

Sanitation District No. 1 maintains a **sanitary system** within the roadway construction limits. Portions of the sanitary sewer are to remain undisturbed and other portions are to be relocated. The contractor shall perform this relocation work in accordance with the plans and contract documents as part of the roadway project. The contractor shall phase his work in order to maintain operation of these facilities at all times. Any temporary work, including but not limited to, temporary line, tie-ins or by-pass pumping if necessary, to maintain the system during construction shall be incidental to the sanitary sewer work bid items, unless specifically called out as a separate bid item. This work shall conform to SD #1 standards.

Northern Kentucky Water District maintains facilities within the roadway construction limits. The waterline system is to be relocated as part of this contract. The contractor shall perform this relocation work in accordance with the plans and contract documents. The contractor shall phase his work in order to maintain operation of these facilities at all times. Any temporary work, including but not limited to, temporary lines, or temporary tie-ins, to maintain the system during construction shall be incidental to the waterline work bid items, unless specifically called out as a bid item. This work shall conform to Northern Kentucky Water District standards.

UTILITIES AND RAIL CERTIFICATION NOTE

**KENTON COUNTY
OSTPM 3002 (258)
BROMLEY–CRESCENT SPRINGS ROAD
Item No. 6-419.00**

Duke Energy Gas maintains facilities within the roadway construction limits. The gas line is to be relocated as part of this contract. The contractor shall perform this relocation work in accordance with the plans and contract documents. The contractor shall phase his work in order to maintain operation of these facilities at all times. Any temporary work, including but not limited to, temporary lines, or temporary tie-ins, to maintain the system during construction shall be incidental to the gas line work bid items. This work shall conform to Duke Energy standards. Gas line contractors must be from the pre-approved list of gas line contractors provided by Duke elsewhere in the proposal.

A “Gas Utility Coordination” item is shown on the Gas Summary Sheet and has been established in the road contract for consideration by the road contractor. This item is provided, if needed, as compensation for any additional coordination to accommodate the inclusion of gas utility work with the roadway construction. The road contractor can freely bid this item.

THE FOLLOWING RAIL COMPANIES HAVE FACILITIES IN CONJUNCTION WITH THIS PROJECT AS NOTED

- No Rail Involved** **Minimal Rail Involved (See Below)** **Rail Involved (See Below)**

SPECIAL CAUTION NOTE – PROTECTION OF UTILITIES

The contractor will be responsible for contacting all utility facility owners on the subject project to coordinate his activities. The contractor will coordinate his activities to minimize and, where possible, avoid conflicts with utility facilities. Due to the nature of the work proposed, it is unlikely to conflict with the existing utilities beyond minor facility adjustments. Where conflicts with utility facilities are unavoidable, the contractor will coordinate any necessary relocation work with the facility owner and Resident Engineer. The Kentucky Transportation Cabinet maintains the right to remove or alter portions of this contract if a utility conflict occurs.

UTILITIES AND RAIL CERTIFICATION NOTE

**KENTON COUNTY
OSTPM 3002 (258)
BROMLEY–CRESCENT SPRINGS ROAD
Item No. 6-419.00**

The utility facilities as noted in the previous section(s) have been determined using data garnered by varied means and with varying degrees of accuracy: from the facility owners, a result of S.U.E., field inspections, and/or reviews of record drawings. The facilities defined may not be inclusive of all utilities in the project scope and are not Level A quality, unless specified as such. It is the contractor’s responsibility to verify all utilities and their respective locations before excavating.

BEFORE YOU DIG

The contractor shall make every effort to protect underground facilities from damage as prescribed in the Underground Facility Damage Protection Act of 1994, Kentucky Revised Statute KRS 367.4901 to 367.4917. It is the contractor’s responsibility to determine and take steps necessary to be in compliance with federal and state damage prevention directives. The contractor is instructed to call 1-800-752-6007 to reach KY 811, the one-call system for information on the location of existing underground utilities. The call is to be placed a minimum of two (2) and no more than ten (10) business days prior to excavation. The contractor should be aware that owners of underground facilities are not required to be members of the KY 811 one-call Before-U-Dig (BUD) service. The contractor must coordinate excavation with the utility owners, including those whom do not subscribe to KY 811. It may be necessary for the contractor to contact the County Court Clerk to determine what utility companies have facilities in the area.

Please Note: The information presented in this Utility Note is informational in nature and the information contained herein is not guaranteed.

AREA UTILITIES CONTACT LIST

<u>Utility Company/Agency</u>	<u>Contact Name</u>	<u>Contact Information</u>
-------------------------------	---------------------	----------------------------

Utility contact information will be provided at the preconstruction meeting.

GENERAL UTILITY NOTES AND INSTRUCTIONS APPLICABLE TO ALL UTILITY WORK MADE A PART OF THE ROAD CONSTRUCTION CONTRACT

The contractor should be aware the following utility notes and KYTC Utility Bid Item Descriptions shall supersede, replace and take precedence over any and all conflicting information that may be contained in utility owner supplied specifications contained in the contract, on plans supplied by the utility owner, or any utility owner specifications or information externally referenced in this contract.

Where information may have been omitted from these notes, bid item descriptions, utility owner supplied specifications or plans; the KYTC Standard Specifications for Road and Bridge Construction shall be referenced.

PROTECTION OF EXISTING UTILITIES

The existing utilities shown on the plans are shown as best known at the time the plans were developed and are to be used as a guide only by the Contractor. The Contractor shall use all means at his disposal to accurately locate all existing utilities, whether shown on the plans or not, prior to excavation. The contractor shall protect these utilities during construction. Any damage to existing utilities during construction that are shown or not shown on the plans shall be repaired at the Contractor's expense.

PREQUALIFIED UTILITY CONTRACTORS

Some utility owners may require contractors that perform relocation work on their respective facilities as a part of the road contract be prequalified or preapproved by the utility owner. Those utility owners with a prequalification or preapproval requirement are as follows:

Duke Energy Gas

The bidding contractor needs to review the above list and choose from the list of approved subcontractors contained elsewhere in the proposal before bidding. When the list of approved subcontractors is provided, only subcontractors shown on the list will be allowed to work on that utility as a part of this contract.

When the list of approved subcontractors for the utility work is not provided in these general notes, the utility work can be completed by the prime contractor. If the prime contractor chooses to subcontract the work, the subcontractor shall be prequalified with the KYTC Division of Construction Procurement in the work type of "Utilities" (I33). Those who would like to become prequalified may contact the Division of Construction Procurement at (502) 564-3500. Please note: it could take up to 30 calendar days for

prequalification to be approved. The prequalification does not have to be approved prior to the bid, but must be approved before the subcontract will be approved by KYTC and the work can be performed.

CONTRACT ADMINISTRATION RELATIVE TO UTILITY WORK

All utility work is being performed as a part of a contract administered by KYTC; there is not a direct contract between the utility contractor and utility owner. The KYTC Section Engineer is ultimately responsible for the administration of the road contract and any utility work included in the contract.

SUBMITTALS AND CORRESPONDENCE

All submittals and correspondence of any kind relative to utility work included in the road contract shall be directed to the KYTC Section Engineer, a copy of which may also be supplied to the utility owner by the contractor to expedite handling of items like material approvals and shop drawings. All approvals and correspondence generated by the utility owner shall be directed to the KYTC Section Engineer. The KYTC Section Engineer will relay any approvals or correspondence to the utility contractor as appropriate. At no time shall any direct communication between the utility owner and utility contractor without the communication flowing through the KYTC Section Engineer be considered official and binding under the contract.

ENGINEER

Where the word “Engineer” appears in any utility owner specifications included in this proposal, utility owner specifications included as a part of this contract by reference or on the utility relocation plans, it shall be understood the “Engineer” is the Kentucky Transportation Cabinet (KYTC) Section Engineer or designated representative and the utility owner engineer or designated representative jointly. Both engineers must mutually agree upon all decisions made with regard to the utility construction. The Transportation Cabinet, Section Engineer shall make all final decisions in all disputes.

INSPECTOR OR RESIDENT PROJECT REPRESENTATIVE

Where the word “Inspector” or “Resident Project Representative” appears in the utility specifications included in this proposal, utility owner specifications included as a part of this contract by reference or on the utility relocation plans, it shall be understood the “Inspector” or “Resident Project Representative” is the utility owner inspector and KYTC inspector jointly. The Transportation Cabinet, Section Engineer shall make all final decisions in all disputes.

NOTICE TO UTILITY OWNERS OF THE START OF WORK

One month before construction is to start on a utility, the utility contractor shall make notice to the KYTC Section Engineer and the utility owner of when work on a utility is anticipated to start. The utility contractor shall again make confirmation notice to the KYTC Section Engineer and the utility owner one week before utility work is to actually start.

UTILITY SHUTDOWNS

The Contractor shall not shut down any active and in-service mains, utility lines or services for any reason unless specifically given permission to do so by the utility owner. The opening and closing of valves and operating of other active utility facilities for main, utility line or utility service shut downs are to be performed by the utility owner unless specific permission is given to the contractor by the owner to make shutdowns. If and when the utility owner gives the contractor permission to shutdown mains, utility lines or utility services, the contractor shall do so following the rules, procedures and regulations of the utility owner. Any permission given by the utility owner to the contractor to shutdown active and in-service mains, utility lines or services shall be communicated to the KYTC Section Engineer by the utility owner that such permission has been given.

Notice to customers of utility shut downs is sometimes required to be performed by the utility contractor. The contractor may be required; but, is not limited to, making notice to utility customers in a certain minimum amount of time in advance of the shut down and by whatever means of communication specified by the utility owner. The means of communication to the customer may be; but is not limited to, a door hanger, notice by newspaper ad, telephone contact, or any combination of communication methods deemed necessary, customary and appropriate by the utility owner. The contractor should refer to the utility owner specifications for requirements on customer notice.

Any procedure the utility owner may require the contractor to perform by specification or plan note and any expense the contractor may incur to comply with the utility owner's shut down procedure and notice to customers shall be considered an incidental expense to the utility construction.

CUSTOMER SERVICE AND LATERAL ABANDONMENTS When temporary or permanent abandonment of customer water, gas, or sewer services or laterals are necessary during relocation of utilities included in the contract, the utility contractor shall perform these abandonments as part of the contract as incidental work. No separate payment will be made for service line and lateral abandonments. The contractor shall provide all labor, equipment and materials to accomplish the temporary or permanent abandonment in accordance with the plans, specifications and/or as directed by the engineer. Abandonment may include, but is not limited to, digging down on a water or gas main at the tap to turn off the tap valve or corporation stop and/or capping or plugging the tap, digging down on a sewer tap at the main and plugging or capping the tap, digging down on a service line or lateral at a location shown on the plans or agreeable to the engineer and capping or plugging, or performing any other work necessary to abandon the service or lateral to satisfactorily accomplish the final utility relocation.

STATIONS AND DISTANCES

All stations and distances, when indicated for utility placement in utility relocation plans or specifications, are approximate; therefore, some minor adjustment may have to be made during construction to fit actual field conditions. Any changes in excess of 6 inches of plan location shall be reviewed and approved jointly by the KYTC Section Engineer or designated representative and utility owner engineer or designated representative. Changes in location without prior approval shall be remedied by the contractor at his own expense if the unauthorized change creates an unacceptable conflict or condition.

RESTORATION

Temporary and permanent restoration of paved or stone areas due to utility construction shall be considered incidental to the utility work. No separate payment will be made for this work. Temporary restoration shall be as directed by the KYTC Section Engineer. Permanent restoration shall be “in-kind” as existing.

Restoration of seed and sod areas will be measured and paid under the appropriate seeding and sodding bid items established in the contract for roadway work.

BELOW ARE NOTES FOR WHEN “INST” ITEMS ARE IN THE CONTRACT MEANING THE UTILITY COMPANY IS PROVIDING CERTAIN MATERIALS FOR UTILITY RELOCATION

MATERIAL

Contrary to Utility Bid Item Descriptions, those bid items that have the text “**Inst**” at the end of the bid item will have the major components of the bid item provided by the utility owner. No direct payment will be made for the major material component(s) supplied by the utility company. All remaining materials required to construct the bid item as detailed in utility bid item descriptions, in utility specifications and utility plans that are made a part of this contract will be supplied by the contractor. The contractor’s bid price should reflect the difference in cost due to the provided materials.

The following utility owners have elected to provide the following materials for work under this contract:

Duke Energy Gas will supply all piping, valves, fittings and other related components for gas installation. The contractor is to supply all bedding, backfill and other related materials.

SECURITY OF SUPPLIED MATERIALS

If any utility materials are to be supplied by the utility owner, it will be the responsibility of the utility contractor to secure all utility owner supplied materials after delivery to the project site. The utility contractor shall coordinate directly with the utility owner and their suppliers for delivery and security of the supplied materials. Any materials supplied by the utility owner and delivered to the construction site that are subsequently stolen, damaged or vandalized and deemed unusable shall be replaced with like materials at the contractor’s expense.

Specifications for Gas Main Replacement
within
STATE OF KENTUCKY ROAD PROJECTS

Revised for:

KYTC Item 06-0419.00

Bromley-Crescent Springs Road

Duke Energy Job No.

Bromley-Crescent Springs Road Replacement

July, 2020

Note: KYTC has prepared “STANDARD GAS BID ITEM DESCRIPTIONS” for all items of gas work contained in the road contract. These “STANDARD GAS BID ITEM DESCRIPTIONS” are contained elsewhere in the project proposal. These “STANDARD GAS BID ITEM DESCRIPTIONS” shall supersede any and all conflicting information in the following gas specifications. Where conflicts do not exist, the following shall apply.

1.0 GENERAL

1.1 Scope of Work

Gas main relocation work required for the proposed Hands Pike Replacement project consists of the following work:

- Installing approximately 2751 linear feet of plastic gas main.
- Renewing M-C services as needed. We’ve estimated that there will be (1) short side service to be replaced.
- Installing valves per drawings.

A Gas Contractor, approved by Duke Energy, shall perform the gas facility relocation work. **The General Contractor awarded the KYTC road project, shall hire an approved Gas Contractor listed at the end of these specifications.**

A Duke Energy Inspector will oversee all piping work performed by the Gas Contractor. Transportation Cabinet inspectors will primarily oversee vertical and horizontal placement of the main, all backfill, traffic control work, and record pay quantities for gas work in the road contract in consultation with the gas inspector.

1.2 Acceptable Gas Contractors

Installation of gas facilities on this project is limited to the following Gas Contractors due to their pre-qualification for such work with Duke Energy:

1. AMS Construction
2. RLA Investments
3. KS Energy
4. Premier Services

At the end of these specifications is a phone list for the Duke Energy Approved Gas Contractors. Contrary to previous road contracts, gas contractors (which are now considered **specialty contractors** by the Kentucky Transportation Cabinet) are no longer required to be prequalified by the Cabinet to perform utility work included in the road contract. All gas contractors prequalified by Duke Energy are now allowed to perform gas work in road contracts. **Department of Transportation regulations prohibit any non-qualified contractor from performing any gas main work. This includes, but is not limited to excavation, main lowering, pipe installation, service installation, and back filling.**

1.3 Standards

In addition to these specifications, all facilities must be installed in accordance with the 2007 Advanced Main Replacement Program (AMRP) Specifications, the Duke Energy's Gas Division Specifications (GD-150 Composite), CFR part 192, and all applicable specifications. These General and Technical Provisions shall be made a part of this project contract by reference. Copies are available from Duke Energy. Where the following specifications and those referenced are in conflict, the following specifications shall govern and take precedence.

1.4 Definitions

Where the word "**Engineer**" appears in these specifications or on the gas plans, it shall be understood the "Engineer" is the Kentucky Transportation Cabinet (KYTC) Section Engineer or his/her designated representative and the Duke Energy Engineer or his/her designated representative jointly. Both Engineers must mutually agree upon all decisions made with regard to the gas line construction. The Transportation Cabinet, Section Engineer shall make all final decisions in all disputes. The Section Engineer is ultimately responsible for the engineering supervision of the road contract.

Where the word "**Gas Inspector**" or "Inspector" appears in these specifications or on the gas plans, it shall be understood the "Inspector" is the Duke Energy Gas Inspector or his designated representative.

Where the words "**Resident Engineer**" appears in these specifications or on the gas plans, it shall be understood the "**Resident Engineer**" is the KYTC Section Engineer or his designated representative.

Where the word "**Road Contractor**" appears in these specifications or on the gas plans, it shall be understood the "**Road Contractor**" is the General Contractor that was awarded the road improvement project by KYTC and that hired the Gas Contractor for the gas replacement work.

Where the word "**Gas Contractor**" appears in these specifications or on the gas plans, it shall be understood the "**Gas Contractor**" is the Duke Energy and KYTC approved contractor hired by the Road Contractor to perform the gas replacement work within the KYTC Road Project.

1.5 Video Taping

Duke Energy recommends that the Gas Contractor videotape every project prior to starting. The video is extremely important in settling disputes with governing agencies.

1.6 Permits & Fees

All permits for the replacement work will be obtained by Duke Energy, and will be provided to the Gas Contractor by the Gas Inspector prior to the start of work. Duke Energy will pay all permit fees except cut/fill fees. Cut/fill fees required for dumpsites will not be paid by Duke Energy except for material dumped for main tie-ins where the Gas Contractor is paid directly by Duke Energy on a time and material (T&M) basis. The Gas Contractor will be responsible for

all tree damage unless the damage was a result of a direct order by the Engineer. Clean up and restoration on all projects must be in compliance with KYTC and local governmental agencies and must be approved by the Duke Energy Inspector. It is the sole responsibility of the Gas Contractor to check with governing agencies for work hour restrictions. No compensation will be given for restricted work hours or crews working at night.

1.7 Training

Duke Energy will require the Gas Contractor to qualify all necessary personnel on polyethylene fusion and mechanical connections. Duke Energy will provide training to the Gas Contractor on the renewal of services by insertion and mechanical, installation of meter sets, turn off, turn on and appliance light up. Gas Contractors will be trained for free on Duke Energy policies associated with spotting unacceptable meter locations and the identification of tin meters and mercury regulators. Only Duke Energy personnel shall handle mercury regulators. Safety procedures, grounding procedures, and a review for sizing services will also be covered in the training.

1.8 Security

Picture ID's are required for all Gas Contractor employees. Gas Contractor personnel are required to show their ID's whenever asked by customers or Duke Energy Personnel.

MATERIAL

2.1 Duke Energy Supplied Materials

Duke Energy will provide all:

- Steel and polyethylene pipe,
- Steel and polyethylene pipe fittings, flanges, adapters, couplings, etc.
- Valves and valve assemblies,
- Regulators,
- Regulator vaults or enclosures,
- Cathodic protection material,
- Other associated gas pipe materials required for the replacement work.

2.1.1 Material Delivery and Tracking

Duke Energy supplied material will be delivered, as the Gas Contractor needs it. Material for the entire project will not be delivered all at once. It will be the responsibility of the Gas Contractor to meet the delivery truck, to track material received, and to provide weekly reports showing material received, material used, and material remaining. The material assigned to a specific project is to be used on that project only. All surplus materials, at the end of the project, are to be returned to the storeroom or a credit requisition completed allocating the material to another job. The material must be returned or requisitioned to another job in the same condition that it

was received. A certain percentage of waste will be applied to the pipe. All other unaccounted, damaged or material left unprotected will be the responsibility of the Gas Contractor.

Service Material will be delivered to each Gas Contractor yard. Each Gas Contractor will be required to provide an adequate shelter area with shelves to organize all the service material. The Gas Contractor will provide a person to receive material, organize and reorder material as needed.

2.2 Contractor Supplied Materials

The Gas Contractor is required to provide all materials and equipment other than as indicated on the construction drawings that are necessary to construct the project. All welding materials such as welding rods, grinding wheels, clamps, etc is to be provided by the Gas Contractor.

Pipe Bedding

Pipe bedding shall meet the requirements for Pipe Bedding as contained in Kentucky Department of Highways, Standard Specifications for Road and Bridge Construction.

Flowable Fill / Low Strength Mortar Mix

Flowable fill & Low Strength Mortar shall meet the requirements of the Kentucky Department of Highways, Standard Specifications for Road and Bridge Construction. Low Strength Mortar is required as backfill under all existing and proposed KYTC roads.

Surface Restoration Materials (Temporary and Permanent)

All restoration materials shall meet the requirements of the appropriate sections of Kentucky Department of Highways, Standard Specifications for Road and Bridge Construction.

2.3 Contractor Requirements for Coiled MDPE Pipe Delivery & Handling

Coiled pipe will not be used on this project.

3.0 JOINING PIPE

3.1 Welding Steel Pipe

All welds will be made in accordance with Duke Energy's Gas Division welding specifications. The Gas Contractor is responsible for ensuring that the proper Welding Specification is used for the grades and wall thicknesses of pipes being welded together.

Specification No. 501-2 Standard Welding Procedure SA-II-A-II: For Steel Pipe
With O.D. from 2 3/8" to, and including 12 3/4 " and wall

thickness 0.188” to, but not including 0.250”

Specification No. 501-3 Standard Welding Procedure SA-III-A-III: For Steel Pipe with O.D. greater than 12 ¾ “ and wall thickness 0.250” to, but not including 0.344”

Specification No 501-20 Standard welding Procedure SA-F1-A-V: for fillet welds on steel pipe for socket –weld couplings, slip-on flanges, and full encirclement welding sleeves.

All welders must be pre-qualified in accordance with Duke Energy’s Gas Division specifications prior to the start of construction. All testing for welders will be in accordance with API Standard 1104, Section 3.3 at the Gas Contractor’s cost. The Inspector will visually inspect all welds.

3.2 Joining Plastic Pipe

Butt fusion will be considered the primary method of joining longitudinal sections of MDPE main. Rotary scrapers will be required when joining 4” and larger pipe in the trench. Electro-fusion may be used at the discretion of the Inspector. Electro-fusion couplings are the second choice in joining MDPE pipe. Two couplings are required per Duke Energy Gas Standards when joining directionally drilled pipe.

Bar clamps must be used to secure 2” pipe and larger pipe when joined by electrofusion. Personnel found joining pipe without the proper line up clamps and fusion equipment will lose their fusion cards. **NO SECOND CHANCES WILL BE GIVEN FOR SHORT CUTS TAKEN WHEN JOINING PIPE.**

When installing plastic valves using electrofusion couplings a 3 ft pup-piece of pipe should be fused to the valve prior to electrofusion so that the coupling could be cut-off in case of incomplete/improper fusion.

4.0 GAS MAINS

4.1 Inspection

The road contractor must contact Duke Energy (Greg Menetrey, 513-659-0066) one month prior to the beginning of any gas main work so that Duke Energy can plan for the construction project. Duke Energy will provide a Gas Inspector on all main replacement projects. The Inspector will have multiple projects to cover and will not be on site at all times. No changes to the project drawings shall be made without the joint consent of the Duke Energy Engineer or Gas Inspector AND the KYTC Section Engineer or his inspector. The Gas Inspector will record the as-built location of the gas main, track the pay and non-pay item quantities, and provide general guidance to the Gas Contractor and assistance to the Section Engineer. **The Gas Inspector works for Duke Energy and not the Road Contractor.**

4.2 Depth and Location of Main

Gas mains on this project shall have 5' of cover from proposed grade unless noted otherwise.

All mains are to be installed at the depth or elevation, and location specified on the project drawings. No changes to the project drawings shall be made without the joint consent of the Duke Energy Engineer or the Gas Inspector AND the KYTC Section Engineer or his inspector. The Duke Energy Engineer has designed the proposed gas main location to avoid conflicts with proposed and existing utilities and grades. Changes to the planned alignment without the consent of the Duke Energy Engineer AND KYTC Section Engineer may result in conflicts with other proposed facilities. **It is the responsibility of the Road Contractor to stake the proposed alignment of the gas mains for the Gas Contractor.**

4.3 Installation Methods

Direct bury is the preferred installation method for the gas main replacement work within the Road Project. Directional drilling of main is an alternative installation method that will be considered by the Duke Energy Engineer AND the KYTC Resident Engineer on a case-by-case basis. The following paragraphs discuss these installation methods.

4.3.1 **Direct Bury**

The trench shall be excavated to accommodate the minimum specified cover over the main from proposed final grade, the pipe outside diameter, and a minimum of 3 inches of bedding material below the pipe. Where the main is being constructed within proposed ditch lines, across final pavements, and along final roadways, the trench shall be excavated to accommodate a minimum of 48 inches of cover over the main from final grade. The minimum cover shall be increased to 60 inches when crossing streams. The minimum trench width shall be 24 inches. The Gas Contractor shall string the pipe along the trench and join the pipe. Services shall be installed with a minimum horizontal separation from the existing service of 12 inches.

Once the pipe has been joined, the contractor shall lift and carefully lower the pipe into the center of the trench. The Gas Contractor is cautioned to handle the pipe carefully so as to minimize damage to the pipe. Additional bedding material shall be placed around the pipe and compacted in equal lifts so as to avoid lateral displacement. Bedding material shall be placed in lifts not to exceed 6 inches compacted depth. Bedding material shall be placed to a level approximately 12 inches above the pipe barrel. Bedding material shall not exceed the approximate 12 inches level over the pipe barrel. The bedding material under, around, and over the pipe shall be compacted using a vibratory compactor.

Once the pipe has been placed, trench excavated material or flowable fill shall be used to backfill the remainder of the trench. Trench excavated material shall be placed in the trench and shall be compacted to 95% maximum standard Proctor density with hand operated equipment. The Gas Contractor may use flowable fill for trench backfill at his cost. **When installing gas mains under existing or proposed KYTC roadways, the contractor must backfill with flowable fill to the subgrade elevation.** The cost of this flowable fill shall be incidental to the gas bid items. Granular material shall not be used as trench backfill.

4.3.2 Directional Drilling

Directional drilling is an accepted method for pipe installation and must comply with all the guidelines set forth in this specification. **The Duke Energy Engineer must approve all directional drilling.** The Gas Contractor must record the location and depth of the directional-drilled gas main at an interval of fifty (50) feet or less. The Gas Contractor shall excavate a test hole at least every 200-feet of bore to verify the location and depth of the drilled gas main.

For all directional-drilled gas main, the location and depth of all sewer laterals shall be determined and documented prior to drilling to insure there is no conflict between the proposed gas main and the existing sewer. A Sewer Lateral Location Plan must be submitted to Duke Energy and approved prior to the Gas Contractor performing any directional drill work; no additional money will be paid for this plan. **The gas contractor must perform a pre and post camera of all sewer lines and laterals.** Acceptable methods for locating the laterals are a camera or by physically uncovering the lateral. The Gas Contractor must install a sewer tag on every sewer clean out. Duke Energy will supply these tags.

4.4 Backfill

Backfill shall be compacted to 95% optimum density throughout the project regardless of location unless otherwise shown in the plans or directed by the Engineer. Granular backfill will not be allowed.

4.4.1 Flowable Fill (Low Strength Mortar Material)

When installing gas mains under existing or proposed roadway pavement, or when shown on the plans, the contractor must backfill with flowable fill to the subgrade elevation.

4.5 Lowering Main in Place

The Gas Contractor shall excavate along existing gas mains and lower the top of the mains in place to the elevations specified on the Gas Plans. The length of trench either side of the point to be lowered, required to ensure stresses are minimized in the pipe after it is lowered, is specified on the Gas Plans. Lowering mains in place shall be accomplished by:

- Excavate trench along both sides the existing main so it transitions down from the bottom of the main at one end of the trench to below the required top of pipe elevation at the point or length to be lowered, and then transitions back up to the bottom of the main at the opposite end of the trench. Excavate the soil from over and under the main as the trench is excavated. Additional trench depth should be excavated to accommodate sand bedding.
- Support the exposed steel mains at a minimum of 50-foot intervals and MDPE mains at a minimum of 100-foot intervals (unless specified otherwise on the plans) using side booms, track-hoes, blocking/skids, or sling supported from a beam or section of pipe placed across the trench width.
- Clean the pipe and visually check line for any damage. The protective coating on steel mains should be jeepped for holidays. Make repairs as needed per Duke Energy standards.
- Bed the bottom of the trench with 3” of sand.
- Lift the pipe using slings and side booms or track-hoes. Remove the pipe supports and lower the main into the trench. Adjust supports before lifting the main so they are not at or near girth welds.
- Check the top of main elevation at the point or over the points to be lowered to see if the top has been lowered to or below the elevation specified.

The lowering of main in place shall only be done by Duke Energy approved Gas Contractors or Duke Energy Crews.

4.6 Damage to Gas Facilities

The Gas Contractor must notify the Duke Energy Inspector whenever gas leaks or any questionable situation is encountered. The Gas Contractor shall not repair any active services or mains that may be damaged during construction.

4.7.2 Casing under Railroad Tracks

Agreements between Duke Energy and the Railroad must be signed before any utility work is performed on Railroad property. Railroad crossings require steel mains encased in steel casing if the top of the casing pipe is installed between 5.5 feet and 10 feet below the base of the rails. Un-cased steel mains can be installed if the top of the main is installed below 10 feet from the base of the rails. The Gas Contractor shall follow the terms and conditions outlined in the Crossing Agreement.

Railroad personnel are required to be present at the time of the crossing. The Gas Contractor must notify the Railroad before the crossing. Bored and Jacked installations shall have a borehole diameter essentially the same as the outside diameter of the casing pipe. The top of the

casing pipe shall be more than 5.5-feet below the base of the railway rail. The carrier pipe shall be centered in the casing pipe and sealed and vented in accordance with Duke Energy Standards.

4.8 Leak Testing

Leak Testing shall be performed on all newly installed gas main. The contractor must supply all test gauges and the appropriate certification to Duke Energy prior to performing any air leak test on installed piping facilities. The testing equipment must be certified annually and the certification sent to Duke Energy Gas Engineering. The contractor will also be required to have certified purging equipment.

4.9 Hydrostatic Testing

The contractor must supply all labor, equipment, and material to perform and complete the hydrostatic testing of all installed feeder line. Dead weight testers, temperature, and pressure recorders (8" diameter minimum chart size) must be certified for accuracy within the last 6 months of their use date. The contractor will also be required to have certified purging equipment. The minimum test pressure is 750 psi (1.5 x design MAOP) and the preferred test media is water. The maximum test pressure should not exceed 50% of the pipes SMYS. If elevation differences between the low and high spot along a test section are significant, pressure gauges should be placed at these locations to ensure that the minimum test pressure of 750 psi is reached for the entire length of main. The minimum hydrostatic test length is 8-hours. All hydrostatic test waters shall be disposed of in accordance with local and state regulations.

4.10 Gas Main Tie-Ins

The Gas Contractor will be required to assist Duke Energy at most tie-ins. When assisting Duke Energy at tie-ins, the contractor will be working for Duke Energy and not the General Contractor/KYTC. Contractor will be paid at established rates (not prevailing wage) when performing work for Duke Energy. **Duke Energy reserves the right to perform all tie-ins to the existing gas mains.** On steel mains, tie-ins will require the installation and tapping of TD Williamson fittings. Tie-ins on polyethylene mains will require squeezing off the main and installing the appropriate saddles. The Gas Contractor will be required to have the following equipment:

- T D Williamson equipment for 2" through 6" steel mains. The Gas Contractor is not required to purchase 8" and 12" T D Williamson and other pertinent equipment; however, Duke Energy would like the Gas Contractor to own this equipment.
- Squeeze-off equipment for 2-inch through 8-inch polyethylene,
- 4-inch and smaller guillotine saws,
- Electro-fusion equipment,
- Air Test and Hydrostatic Testing Equipment, and
- Other pertinent equipment necessary to tie in 2-inch through 6-inch steel and polyethylene mains.

It will be the responsibility of the Gas Contractor to meet with the Duke Energy inspector, prior to scheduling any tie in work, to discuss the equipment and personnel necessary to perform the work. Duke Energy will provide pressure crews to assist on tie in and purging activities.

Wipe test are required when performing tie-ins over 4" in diameter. The Gas Contractor must notify the Gas Inspector whenever liquid condensate is visible in the existing mains. The Road Contractor is responsible to provide a space for a roll off box if it is determined that there is PCB contaminated pipe on site. The Gas Contractor is responsible to keep the roll off box covered at all times. Duke Energy will provide the roll off box and dispose of any PCB contaminated pipe found on site.

The Gas Contractor must supply all labor, equipment, and material necessary to abandon mains that are replaced in the road project. This work includes purging, capping, sealing, cutting, or removing and disposing of sections of abandoned main.

Tie-ins on many Duke Energy mains are pressure and/or temperature dependent. Duke Energy will not allow tie-ins to be made on most mains between November 1 and April 30 if the temperature is below 45 degrees Fahrenheit. During this time of year tie-ins will be looked at on a case by case basis by Duke Energy's Gas Control and Pressure Departments to evaluate the feasibility of completing the tie-in.

4.11 Restoration

All gas facility replacement work will likely be performed within the limits of the KYTC Road Project during its active construction by the Road Contractor. **Final restoration of all areas is the responsibility of the Road Contractor;** however, the Gas Contractor may have to perform some restoration to maintain traffic and insure public safety. All areas, which are disturbed during gas main construction, which are outside of road construction limits, shall be replaced in-kind. All restoration shall be performed to the satisfaction of the KYTC Section Engineer. The KYTC Section Engineer shall approve all temporary and permanent restoration materials and their placement. Contractors will be responsible for maintenance of any restoration they install.

5.0 GAS SERVICES

The Gas Contractor may be required to renew customer services from the gas main to the customer's service meter. The service lines are broken into two portions: the main to curb cock portion (M-C) and the curb cock to service meter portion (C-M). The M-C portion of the gas service line is usually contained entirely within road right-of way. The C-M portion of a service line is mostly on private property, but a portion of it may be within road right-of-way. Duke Energy and its contractors are solely responsible for gas work performed outside the road construction limits. Curb to Meter (C-M) work will be performed for Duke Energy direct and will be paid based on established service work pricing.

The Gas Contractor is required to complete all associated Job Control Forms (JCF's) with the service work. JCF's must be completed within one day of the completion of the service work. JCF's which are not filled out correctly will be returned to the contractor for correction.

5.1 Main to Curb (M-C) Services

M-C services are broken up between short-side and long-side M-C. Method of payment is as defined in Standard Gas Bid Item Descriptions contained elsewhere in the bid proposal. Contrary to past road projects, the length of the gas service to be under or over 15 feet is no longer the determining factor in paying short vs. long side services. The determining factor is defined in the Standard Gas Bid Item Descriptions. The main to curb portion of the service lines must be installed at the depth of the relocated main or five feet deep, whichever is greater. This is particularly critical when crossing existing or proposed roads with the long-side piping.

5.2 Curb to Meter (C-M) Services

C-M services that do not pass the required pressure test or services that are metallic (steel or copper) will be renewed. The renewal work shall include turning on and off the services, separating existing facilities for testing, excavating, air testing, rebuilding of the meter set, setting a new meter bracket, replacing the meter as required, and re-lighting the customer appliances. Renewed C-M service lines shall be installed at a minimum depth of 18 inches on customer owned property.

Existing polyethylene services shall be reconnected to the new mains if it passes testing. The Gas Contractor will be required to turn off and to re-light customer appliances in accordance with the planned service replacement work and the Duke Energy approved procedures. The Gas Contractor shall red tag all customer bad appliances and notify the Gas Inspector of the problem. Duke Energy will deal with the customer. Contact the gas inspector whenever anything unacceptable is found.

Conversion projects where gas services must be converted from standard pressure to intermediate or high pressure will require the installation of regulators and vent piping. The Gas Contractor must make arrangements with the Gas Inspector to Leak Survey every C-M service the same day it is installed. All service holes outside the pavement area are to be covered with ¾" plywood and flasher barricade.

The Gas Contractor will be required to replace tin meters and mercury regulators associated with the renewal of curb to meter services. This replacement cost must be included in the curb to meter renewal unit price. Duke Energy will train Gas Contractors for free on the policies associated with spotting unacceptable meter and house service line locations and the identification of tin meters and mercury regulators. Only Duke Energy personnel shall handle mercury regulators. If the household service lines or meters are found in an unacceptable location, the meters may be relocated to the outside.

6.0 DESCRIPTION OF PAY ITEMS

This section describes the gas utility pay items for this project. Pay items are broken up in to two categories:

- 1.) Pay items billed to the Road Contractor; and
- 2.) Pay items billed to Duke Energy directly.

6.1 Pay Items Billed to the Road Contractor

The Gas Contractor shall invoice the Road Contractor for all contracted pay items under **Section 7.1** according to the actual units installed. **The Road Contractor shall pay the Gas Contractor for any work performed at the Road Contractor's request that is outside the items contracted with the Road Contractor and that was not pre-approved by Duke Energy and the Cabinet; Duke Energy shall not be billed for this work.** The Road Contractor shall pay the Gas Contractor for actual quantities installed and not for those estimated on the bid sheet. The Road Contractor shall be reimbursed by KYTC. KYTC will bill Duke Energy for the gas facility work after the entire Road Project is completed.

6.1.1 Length of Gas Main Installed

The length of gas main will be **paid on a linear foot or meter basis** based on the type and size of pipe installed. Payment will only be made for main that has been placed into service. Each size pipe shall be measured along the centerline of the pipe through fittings and casements from end to end. Where the pipe changes size, the particular size pipe shall be measured to the center of the transition fitting. No payment will be made for temporary offsets. **No additional payment will be made for rock excavation or extra depth; bidders must draw their own conclusions as to the subsurface conditions to be encountered.**

This item shall include all costs for labor, equipment, and materials (besides pipe and fittings) necessary to install the gas main. Installation of gas main shall include costs for the following:

- Mobilization,
- Saw cutting pavement,
- Traffic Control (flag-persons, arrow-boards, signs, plates, etc). Gas Contractors should be able to take advantage of the Road Contractors Traffic Control.
- Excavating the trench to the proper depth and width or drilling **in rock or soil**,
- Removal and disposal of spoil,
- Bores required to install 6-inch and smaller mains,
- Stringing the pipe along trench,
- Fusing or welding the pipe,
- Test welds or fusions,
- Sand bedding material,
- Flowable Fill or Low Strength Mortar backfill under existing and proposed roads and as required,
- Bedding the pipe,
- Lifting the joined pipe into trench,
- Coating welds and couplings,
- Excavation for utility location, including test holes,
- Installing tracer wire and test boxes,
- Installing anodes and test boxes,

- Backfilling the trench,
- Air testing,
- All temporary restoration
- All final restoration outside the disturbed road limits (including seed) as required in accordance with the plans and specifications.

No additional payments will be made for restoration and backfill if mains are directional drilled instead of direct buried.

6.1.2 Lower Main In Place

Gas mains lowered in place will be **paid on a linear foot or meter basis** of excavated trench per the size of pipe to be lowered. If service lines have to be relocated for the lowering, they will be paid for under the appropriate bid item. **No additional payment will be made for rock excavation, flowable fill, or extra depth.**

6.1.3 Boring – No Casing

This unit will be **paid on a linear foot or meter basis** for bores required to install 8 inch and larger steel main. The cost for bores required to install 6-inch and smaller mains must be included in the main installation unit price. This unit shall be reported for payment by size of the pipe installed in the bore regardless of the size of the bore and shall include all costs associated with completing the bore as well as setting up the bore machine. The cost of installing the gas main in the bore is in addition to the cost of the actual bore and should be reported for payment under length of gas main installed.

6.1.4 Boring with Steel Casing

This unit will be **paid on a linear foot or meter basis** for the size of the casing installed in the bore regardless of the size of the bore and shall include joining, excavation, the installation of all insulators, seals and vents in accordance with Engineering Standard 2.12.1. The Gas Contractor shall be paid for installing the gas main in the casing on a linear foot or meter basis per type and size of main in addition to the length of casing installed. No additional payment will be made for boring through rock.

6.1.5 Steel Casing – No Bore (Open Cut)

This unit will be **paid on a linear foot or meter basis** for the size of the casing installed in the trench. This work shall include joining the casing pipe, coating welds, installing anodes, installing test connections and test boxes, and sealing ends around carrier pipe. The Gas Contractor shall be paid for installing the gas main in the casing on a linear foot or meter basis per type and size of main in addition to the length of casing installed.

6.1.6 Valve Assembly

Valve assemblies will be **paid for on a lump sum basis** for the type and size of valve installed. The unit price for each valve installation includes setting the valve box to proper grade and the

installation of pressure stems in accordance with the appropriate standard. For steel valves, the cost of welding the companion flanges, bolting the valve to the companion flange or welding the valve directly onto the line is included in the valve installation unit.

When installing plastic valves using electrofusion couplings a 3 ft pup-piece of pipe should be fused to the valve prior to electrofusion so that the coupling could be cut-off in case of incomplete/improper fusion.

6.1.7 Main Tie-Ins

Main tie-ins will be **paid on a lump sum basis** based on the size and type of main. The lump sum costs shall include:

- All time associated with separating the existing facilities and reconnecting to the new main,
- Preparation of any and all by-pass requirements,
- Installation of fittings, such as TD Williamson,
- Excavation, without regard to the classification of the materials.
- Preparing cast iron mains by installing appropriate saddles and making appropriate taps in accordance with standards,
- Abandonment of the existing facilities to include purge and sealing the main ends in accordance with standards,
- Transportation and cleaning of the T D Williamson equipment,
- Traffic Control (Flag-persons, arrow- boards, signs, and plates). Gas Contractors should be able to take advantage of the Road Contractors Traffic Control.
- Backfill material including Low Strength Mortar as required
- Surface restoration

Duke Energy reserves the right to allocate work to company personnel at any time to provide assistance with the tie-ins to insure completion in a timely manner.

6.1.8 Services - Main to Curb (M-C) Short Side & Long Side

Main to Curb (M-C) service work shall be **paid on a lump sum basis**. This item shall include all labor, equipment, and materials, necessary to install the gas service. This bid item includes installing 4 inch x 1 inch plastic electrofusion tee, all plastic couplings, stop cock, 1 inch plastic cap (at tee and end of service), plastic curb box (bottom and top), curb box lid, and necessary 1 inch plastic pipe with tracer wire. This item also includes air testing service and tapping tee. Services shall be installed with a 12-inch horizontal separation from the existing service.

M-C service work shall include all costs for the Gas Contractor's completion of all associated paperwork (JCF's, etc). Any temporary or permanent hard or soft surface restoration required for main to curb or curb to meter service installations outside the limits of road construction shall be considered incidental to the contract. No separate payment shall be made for restoration outside the limits of road construction. The Gas Inspector must be notified after a failed service line has been repaired so a record of the event can be logged and the inspector can verify that the repair was adequate.

6.2 Pay Items Billed to Duke Energy

The Gas Contractor shall invoice Duke Energy directly for all work, requested by Duke Energy, that is not included in the road contract.

The Gas Contractor shall only bill one project per invoice; do not send two or more projects on one invoice. The Gas Contractor shall not add any items to the pay sheets after the Gas Inspector has signed them. Additional pay items shall be placed on a separate pay sheet and signed by the Duke Energy Inspector.

The Road Contractor shall pay the Gas Contractor for any work performed at the Road Contractor's request that is outside the items contracted with the Road Contractor and that was not pre-approved by Duke Energy and the Cabinet; Duke Energy shall not be billed for this work.

7.0 INVOICING

It is the Gas Contractor's responsibility to know how, by whom, and for what he is being paid.

The Gas Contractor shall invoice the Road Contractor for all work performed to complete items listed under **Section 7.1** and for any extra work negotiated with the Road Contractor. The Road Contractor then invoices KYTC for this work. The Gas Contractor shall talk to the Section Engineer if the Road Contractor is behind in paying the invoices.

The Gas Contractor shall invoice Duke Energy for all work performed to complete items not included in the road contract and for any extra items (contract addendums) directly negotiated and intended to be paid by Duke Energy. These invoices shall be sent to: Duke Energy at 139 E. 4th Street, Room 460A, Cincinnati, OH, 45201, to the attention of the sponsoring engineer. These addendum items should not be invoiced with items that were bid.

7.1 Weekly Pay Sheets

The Gas Contractor must **meet** with the Duke Energy Inspector and the Section Engineer or inspector on a **weekly basis** to sign off on all pay sheets (preferably Friday evening or Monday morning). The pay sheets must describe all T&M work and break out the costs according to the appropriate Duke Energy work code. The daily sheets should clearly identify the start and stop times for the T&M on each date along with the inspector's signature for approval on that date.

Duke Energy Pre-qualified Gas Contractor Phone Numbers (REVISED 9/1/16)

AMS Construction – 10670 Loveland Madeira Rd., Loveland, OH 45140

Phone- 513-794-0410 Fax: 513-794-0414

Contact: Dale Franklin, Cell Phone - 513-276-0329 dale@amsdigs.com

RLA Investments – 603 Sheperd Lane, Cincinnati, Ohio 45215

Office: 513-554-1469 Fax: 513-554-1221

Contact: Scott Moody, Cell Phone – 513-623-4258, rlainvestment@fuse.net

KS Energy Co – 755 US-50, Milford, OH 45150

Office: 513-271-5616

Contact: Leon Morrison, Cell Phone – 513-582-9024, Lmorrison@ksenergyservices.com

Premier Energy – 370 Industrial Dr., Suite 100, Lawrenceburg, IN 47025

Contact: Ron Barton, cell Phone – 513-335-8484, RBarton@premierenergyservices.com

NORTHERN KENTUCKY WATER DISTRICT

WATER RELOCATION SPECIFICATONS

FOR

KENTON COUNTY

ITEM NO. 06-0419.00

BROMLEY-CRESCENT SPRINGS ROAD

Section II

GENERAL INSTRUCTIONS AND SPECIAL NOTES

1. **WATER SHUTDOWNS** The Contractor after approval by the NKWD's representative shall notify all affected NKWD's customers a minimum of 48 hours prior to interrupting water service. Notification shall be made by the Contractor using the Northern Kentucky Water District "Interruption of Service Notice". All NKWD's customers shall be notified prior to having their water turned-off to have ample time to draw water for use until service is restored. Under no circumstance shall a customer of the NKWD be without water service overnight. Commercial customers may have additional requirement such as temporary water feed, special shut-down times, etc. If water service or existing water system cannot be interrupt during normal daytime hours due to water needs or high demands, the contractor may be required to conduct the work at night or on the weekend. This work is considered an incidental to the project. No active water main shall be shut down without prior approval of Northern Kentucky Water District. Tie-ins on this project may have to be scheduled at night, on weekends or other off peak hours.
2. **PROTECTION OF EXISTING UTILITIES** The existing utilities shown on the plans are shown as best known at the time the plans were developed and are to be used as a guide only by the Contractor. The Contractor shall use all means at his disposal to accurately locate all affected utilities, whether shown on the plans or not, prior to excavation and protect these utilities during construction. Any damage to existing utilities during construction that are shown or not shown on the plans shall be repaired at the Contractor's expense.
3. **STATIONS AND DISTANCES** All stations and distances indicated in the plans or specifications are approximate, therefore, some minor adjustment may have to be made during construction to fit actual field conditions.
4. **FIRE HYDRANT DISCONNECTION** No fire hydrant shall be removed from service without prior approval of Northern Kentucky Water District, and the proper fire authority.
5. **RESIDENT ENGINEER** "Resident Engineer" as referred to in the specifications or in the plans shall mean the Kentucky Department of Highways Engineer in charge of the project and his inspectors.
6. **WATER MAIN INSPECTION** Northern Kentucky Water District and their inspectors, and the resident engineer and his inspectors shall be jointly responsible for inspection of water line facilities installation. Where the phrase "as directed" appears in these specifications without defining who is doing the directing, it shall be understood "as directed" means jointly directed by the Resident Engineer and Northern Kentucky Water District
7. **PRIOR INSPECTION OF EXISTING METER SETTINGS** The Contractor with the Northern Kentucky Water District's inspector shall make an inspection of all meter settings to adjusted or relocated prior to construction. Any meter setting not up to Northern Kentucky Water District standard shall be noted and parts furnished to the Contractor by the Northern Kentucky Water District for installation as needed. Any water meter setting, fire hydrant or any other water facilities that are to be relocated, adjusted, reused or remain and are damaged by the Contractor shall be repaired at the contractors expense. Any old water meter settings removed and not reused shall be turned over to the Northern Kentucky Water District.

8. **SPECIAL BACKFILL NOTE** No sand or granular material shall be used for backfill above 12" over the top of the pipe or around structures. Only compacted soil or flowable fill shall be used unless approved or otherwise directed by the Resident Engineer.
9. **GENERAL SAFETY** For the security and safety of people in and adjacent to trenches or construction operations, the "Manual of Accident Prevention in Construction" published by the Associated General Contractors Association of America, the "Manual On Uniform Traffic Control Devices" published by the Federal Highway Administration, and the safety regulations of the appropriate state and local agencies shall be followed when specifically applicable, or by similarity of operation or as necessary for adequate protection.
10. **MATERIAL HANDLING** Pipe, fittings, valves, hydrants, and accessories shall be loaded, unloaded, and handled by lifting with hoists or skidding so as to avoid shock or damage. Under no circumstances shall such materials be dropped. Pipe handled on skidways shall not be skidded or rolled against other pipe.
11. **PROTECTION OF PAVEMENT** Where main construction is located in or adjacent to pavements, all construction equipment shall have rubber tires. Crawler equipment will be permitted when there is no danger of damaging pavement.
12. **NOISE, DUST AND ODOR CONTROL** The Contractors construction activities shall be conducted so as to eliminate all unnecessary noise, dust, and odors. The use of oil or other materials, for dust control, which may cause tracking will not be permitted.
13. **EXCAVATION AND CONSTRUCTION MATERIALS** All excavated material and all construction materials in prosecution of the work shall be deposited so as not to endanger the work, create unnecessary annoyance to the public, or interfere with natural drainage courses. During the course of the work, all material piles shall be kept trimmed up and maintained in a neat, workmanlike manner. All material piles shall be kept a reasonable distance away from roadways so as not to cause a hazard and block the motorists view.
14. **PROTECTION OF TREES, SHRUBS, AND OTHER ITEMS TO REMAIN** Special care shall be taken by the Contractor to avoid unnecessary damage to trees or shrubs and their root systems or any other items shown to remain. Should the Contractor do unnecessary damage to any item shown to remain, the item shall be repaired or replaced at the contractors expense. Should unnecessary damage be caused to items to remain and is determined not repairable, the Contractor shall compensate the owner for the loss if any.
15. **UNACCEPTABLE EXCAVATED TRENCH MATERIAL** Any excavated trench material which is determined unacceptable for backfill shall be removed from the area and wasted at a location acquired by the Contractor and approved by the Resident Engineer. Acceptable backfill material shall be acquired by the Contractor at a location approved by the Resident Engineer. The disposition and handling of unacceptable material and the acquisition and handling of acceptable material shall be at the Contractors expense.
16. **BLASTING ROCK** No blasting of rock shall be performed without specific permission of the Resident Engineer. Blasts shall be properly covered and all utilities and structures in the area shall be properly protected. Warning shall be given to all persons in the area who could be affected by the blasting. Blasting shall be at the risk of the Contractor who shall be liable for all damages to persons or property caused by the blasting. All blasting shall be performed in accordance with all regulations of the Kentucky Department of Mines and Minerals and all other governing agencies having jurisdiction. The Kentucky Department of

Mines and Minerals, area emergency response agencies, utility companies with utilities in the area shall be notified of the blasting sufficiently in advance.

17. **ABANDONED VALVES** The valve boxes shall be removed from all abandoned valves prior to final roadway paving. This shall be done to the satisfaction of the Engineer. Paving over a valve box without removing same will not be acceptable. No separate payment will be made for removal of valve boxes but shall be considered incidental to water line construction.
18. **SALVAGED AND STOCKPILED ITEMS** The Contractor shall salvage all items in a workmanlike manner. Any item damaged by the Contractor thru negligence shall be replaced with new items at the contractors expense. All salvaged items to be stockpiled and picked up by NKWD, shall be stored in a safe place until pickup. The Contractor is to notify NKWD at 859-578-9898 when salvaged items are available for pickup.
14. **CONSTRUCTION PROCEDURE** The successful contractor to prepare construction procedure with respect to the installation of water utilities. The Sequence and Procedure of Water Utilities Construction shall be approved by the Northern Kentucky Water District's Engineering Department prior to the beginning of the water utilities relocations.

Section III

MATERIAL SPECIFICATIONS

1. **CONCRETE** All concrete shall be Class A in accordance with KYDOH Standard Specs. for Road and Bridge Construction current edition and shall be placed in accordance with same unless otherwise noted. The concrete shall be placed to the dimensions as required in the plans or specifications. Reinforcing steel shall be placed in the concrete as required in the plans or specifications.
2. **CONCRETE REINFORCING STEEL** All reinforcing steel shall be Grade 40. The size, location, placement, and quantity shall be as required in the plans or specifications.
3. **WATER MAIN**
 - A. **DUCTILE IRON PIPE**. Ductile iron pipe shall meet the requirements of ANSI A21.51 (AWWA C151)
 1. **Material**. The chemical constituents shall meet the physical property recommendations of ASTM A536 to ensure that the iron is suitable for satisfactory drilling and cutting.
 2. **Minimum Thickness**. Unless otherwise shown on the plans, the minimum thickness of the barrel of the pipe shall be Class 52. All pipe shall be clearly marked as to class by the manufacturer.
 3. **Coating and Lining**. The pipe shall be coated outside with a bituminous coating in accordance with ANSI A 21.51 (AWWA C151) and lined inside with cement mortar and seal coated in accordance with ANSI A21.4 (AWWA- C104).
 4. **Fittings & Glands**. Fittings and glands shall be ductile iron as specified in Section 3A, "Ductile Iron Fittings".
 5. **Polyethylene Encasement**. Ductile Iron Pipe shall be encased with Polyethylene film conforming to ANSI A21.5 (AWWA C105)
 - B. **PIPE JOINTS**
 1. **Push on and Mechanical**. - Push-on and mechanical joints including accessories shall conform to ANSI A21.11 (AWWA-C111). Bolts shall be high strength COR-10 tee head with hex nuts. The maximum deflection at push-on joints and/or mechanical joints shall be 5 degrees or as recommended by the Manufacturer.
 2. **Flanged**. - Flanged joints shall meet the requirements of ANSI A21.15 (AWWA C115) or ANSI B16.1
 - a. **Gaskets**. All flanged joints shall be furnished with 1/16 inch thick full face red rubber.
 - b. **Bolts**. Bolts shall have American Standard heavy unfinished hexagonal head and nut dimensions all a specified in ANSI B18.2. For bolts of 1-3/4 inches in diameter and larger, bolt studs with a nut on each end are recommended. Material for bolts and nuts shall conform to ASTM A307, Grade B.

3. **Restrained.** - If restrained joint system is required on the plans, all pipes, bends, tees, etc. shall be restrained push-on joint pipe and fittings utilizing ductile iron components. Restrained joint pipe shall be ductile iron manufactured in accordance with the requirements of ANSI/AWWA C151/A21.51. Push-on joints for pipe shall be in accordance with ANSI/AWWA C111/A21.11 "Rubber-Gasket Joints for Ductile-Iron Pipe and Fittings." Pipe thickness shall be designed in accordance with ANSI/AWWA C150/A21.50 "Thickness Design of Ductile-Iron Pressure Pipe," and shall be based on laying conditions and internal pressures as stated in the project plans and specifications. All restrained joint pipe and fittings shall be boltless, flexible and capable of deflection after installation. Restrained joint pipe and fittings shall be U.S. Pipe's TR FLEX restrained joint system, American's Flex-Ring or pre-approved equal. Restraint of field cut pipe shall be provided with U.S. Pipe's TR FLEX GRIPPER® Ring, TR FLEX Pipe field weldments or pre-approved equal. Method of restraining and laying schedule shall be approved by the District prior to the start of the project. Manufacturer installation instructions shall be followed. Restrained joints shall be capable of withstanding a maximum joint pressure of 250 psi. unless otherwise noted. **Mechanical joints with retainer gland and Field Lok® gaskets (or approved equals) are not acceptable unless otherwise specified (note: exception for valves and Special Restrained Joint).**

Exception to Restraint Specifications: Valves shall be restrained using mechanical joint restraint devices consisting of multiple gripping wedges incorporated into a follower gland compatible with all mechanical joints or MJ Field Lok conforming to the requirements of ANSI/AWWA C111/A21.11. Gland body, wedges and wedge actuating components shall be cast from 65-45-12 ductile iron and shall have a working pressure of 250 psi. Megalug Series 1100, MJ Field Lok® or approved equal.

Exception for Special Restrained Joints: When called out in bid items, special restrained joint pipe gaskets shall develop a wedging action between pairs of high-strength stainless steel elements spaced around the gasket (Field Lok®, Fast-Grip® or approved equal gaskets). The bend shall be restrained using mechanical joint restraint devices consisting of multiple gripping wedges incorporated into a follower gland compatible with all mechanical joints (Megalug Series 1100®, MJ Field Lok® or approved equal). Restrained push-on joints shall conform to ANSI A21.11 (AWWA C111).

- a. Bell and Spigot Bell and spigot joints shall conform to ANSI A21.6.

4. **FITTINGS**

- A. **DUCTILE IRON FITTINGS.** Ductile Iron Compact Fittings and accessories shall conform to AWWA C153 and Full Body Fittings - and accessories to AWWA C110. Bolts and nuts shall be high strength, corrosion resistant alloy, such as "Cor-Ten" or approved equal.
1. **Working Pressures.** All fittings and accessories shall be Ductile Iron, rated for a minimum of 200 psi working pressure or as specified herein. The fittings and accessories shall be new and unused. (NOTE: Certain areas of the District's service area require materials used, to be of a higher working pressure than 200 psi.)

2. Coating and Lining. The fittings shall be coated outside with a bituminous coating in accordance with ANSI A21.10 (AWWA C110) and lined inside with cement mortar and seal coated in accordance with ANSI A21.4 (AWWA C104).
3. Fittings and Glands. All pipe fittings shall be mechanical joint fittings. Mechanical joints shall conform to AWWA C111.
4. Polyethylene Encasement. Ductile Iron Fittings shall be encased with polyethylene film conforming to ANSI A21.5 (AWWA C105)

B. JOINTS

1. Mechanical. Mechanical joints including accessories shall conform to ANSI A21.11 (AWWA C111). Glands shall be ductile iron. Bolts shall be high strength COR-10 tee head with hex nuts.
2. Flanged. Flanged joints shall meet the requirements of ANSI A21.15 (AWWA C115) OR ANSI B16.1 and be used with the express approval of the Engineer.
 - a. Gaskets. All flanged joints shall be furnished with 1/16 inch thick full face red rubber.
 - b. Bolts. Bolts shall be stainless steel and have American Standard heavy unfinished hexagonal head and nut dimensions all as specified in ANSI B18.2. For bolts of 1-3/4 inches in diameter and larger, bolt studs with a nut on each end are recommended. Material for bolts and nuts shall conform to ASTM A307, Grade B.
3. Restrained. If restrained joints is shown on the plans, all pipe, bends, valves, etc. shall be restrained.
 - a. Bell and Spigot. Bell and spigot joints shall conform to ANSI A21.6.

5. POLYETHYLENE WRAP

All ductile iron pipe, fittings, valves, and fire hydrant leads shall be polyethylene wrapped, installed according to the current edition of AWWA C105. Ductile iron fittings, valves, and fire hydrant leads used in the installation of P.V.C. pipe shall be included.

- A. Material. Polyethylene wrap shall be a minimum of 8-mil thickness low-density film or 4-mil thickness high-density cross-laminated polyethylene tube per AWWA C105. Polyethylene tube shall be blue in color.
- B. Installation. The contractor shall cut the roll in tubes 2 feet longer than a standard length of pipe. Each tube shall be slipped over the length of pipe, centering to allow a 1' overlap on each adjacent pipe section. After the lap is made, slack in the tubing shall be taken up for a snug fit and the overlay shall be secured with polyethylene tape.

Pipe shall not be wrapped and stored on site for any period of time, but wrapped and immediately placed in the trench, fittings shall be wrapped prior to installing blocking or pads. (see Standard Drawing #104) Polyvinyl chloride pipe requires no wrap. Odd shaped appurtenances such as valves, tees, fittings, and other ferrous metal pipeline

appurtenances shall be wrapped by using a flat sheet of polyethylene. Wrapping shall be done by placing the sheet under the appliances and bringing the edges together, folding twice, and taping down.

For polyethylene wrap of the 30" water main, refer to the "CATHODIC PROTECTION" section of the specifications for special instructions.

6. **FIRE HYDRANTS**

- A. **DESCRIPTION.** The Contractor shall provide all labor, materials, tools, and equipment required to furnish and install in good workmanlike manner all fire hydrants complete and ready for service where shown on the plans or where directed by the Engineer and as specified herein.
- B. **FIRE HYDRANTS.** Fire hydrants shall conform to AWWA C502. Hydrants shall conform to the standards of the Northern Kentucky Water District as SHOWN on the plans. All fire hydrants shall have auxiliary valves for isolating water flow to the hydrant. All fire hydrants and auxiliary valves shall be positively locked to the water main by restrained joints, hydrant adapters, or other approved method.

Hydrants shall be designed to 200 psi working pressure and shall be shop tested to 300 psi hydrostatic pressure with the main valve both open and closed. The barrel shall have a breakable safety section and/or base bolts just above the ground line. Hydrants shall have a main valve opening of 5 1/4 inches, a 6 inch mechanical joint inlet to be suitable for setting in a trench 1,000 mm (3' 6") deep minimum, and shall be the traffic style hydrant so that the main valve remains closed when the barrel is broken off. Hydrants shall have a dry top and shall be self draining, when the main valve is closed. Self draining hydrants shall drain to dry wells provided exclusively for that purpose. Hydrant drains shall not be connected to storm or sanitary sewers. Hydrants located generally in the Covington System and other areas determined by the Engineer (flood zones) shall have all drain holes plugged prior to installation. Hydrants shall be rotatable in a minimum of eight (8) position in 360 degrees. All hydrants shall have two (2)- two and one half (2 1/2) inch hose nozzles and one (1) steamer or pumper connection threaded to conform to Northern Kentucky Water District Standards: steamer nozzle shall be National Standard Thread and 2 1/2" outlets shall be Northern Kentucky Water District Standard Thread (Old Cincinnati Thread). The operating nut and the nuts of the nozzle caps shall be square in shape, measuring one (1) inch from side to side. Hydrant body shall be painted yellow for areas designed for 150 psi working pressure and red for areas in excess of 150 psi. Hydrants used in areas in excess of 150 psi working pressure shall be designed to operate at the higher pressures and shall have independent operating valves on each 2 1/2" outlet.

All hydrants shall be right hand open, clockwise, except in certain areas of Campbell Co. as specified in Standard Drawings and shall have a direction arrow of operation cast into the dome of the hydrant. Installation per Standard Drawing #109.

- C. **INSTALLATION.** The installation of fire hydrants shall be in conformance with "Mains Installation" section, paragraph "Setting Hydrants".
- D. **Polyethylene Encasement** Fire hydrant tee, anchoring pipe and part of the fire hydrant shoe shall be encased with Polyethylene film conforming to ANSI A21.5 (AWWA C105). (See Standard Drawing #109)

7. VALVES

- A. DESCRIPTION. The Contractor shall provide all labor, materials, tools, and equipment required to furnish and install in good workmanlike manner all valves and accessories complete and ready for service where shown on the plans or where directed by the Engineer and as specified herein.
- B. GATE VALVES. Gate valves shall conform to AWWA C509 and shall be cast iron or ductile body, resilient wedge, non-rising stem with rubber "O" ring packing seals. All external dome and packing bolts shall be stainless steel. The valves shall open by turning counter-clockwise. All valves shall have openings through the body of the same circular area as that of the pipe to which they are attached. Valves shall have mechanical joint ends unless otherwise shown on the plans or directed by the District. All valves shall be designed for a working pressure of 250 pounds per square inch (PSI) unless otherwise noted on the plans or in the "Supplemental Specifications". An extension stem shall be furnished if required, to bring the operating nut within 3-1/2 feet of finished grade. Extension stems shall be securely fastened to the valve stem. The Contractor shall make all valves tight under their working pressures after they have been placed and before the main is placed in operation.
- B2. DUCTILE IRON RESILIENT WEDGE GATE VALVE WITH BEVELED GEARING. Ductile iron body, non-rising stem, open left, 2" square operating nut, epoxy coated, mechanical joint, inlet and outlet connections, O-ring type packing, resilient wedge, 250 PSI working pressure, and conforming in all other ways to AWWA Standard C515 American Flow Control 2500 Resilient Wedge Gate Valve or approved equal. Valve body to be assembled with stainless steel bolts grade 304 or better. Accessory package (glands, gaskets and bolts) shall not be included. Includes the specified valve, labor, equipment, excavation, polyethylene wrap, bedding, backfill, disinfection, pressure testing, restoration, etc. (contractor must supply mechanical joint restraints on restrained joint applications), required to install the specified valve at the location shown on the plans, or as directed, in accordance with the specifications and standard drawings complete and ready for use. All External Dome and Packing Bolts Shall be Stainless Steel.
- C. TAPPING SLEEVES AND VALVES. Tapping sleeves and valves shall be designed for a working pressure of 250 psi. The tapping sleeve together with the tapping valve shall be tested at 250 psi for visible leakage and pressure drop before the main is tapped. Tapping sleeve and valve used in high pressure areas shall be tested at 350 psi.
1. Tapping Sleeves Tapping sleeves shall be two piece with mechanical joint type ends, and be so designed as to assure uniform gasket pressure and permit centering of the sleeve on the pipe.
 2. Tapping Valves Tapping valves shall have a flange on one end for bolting to the tapping sleeve and a mechanical joint type end connection on the outlet with slotted standard flange or other adapters for connection to the tapping machine. All external dome, flange and packing bolts shall be stainless steel. The valves shall open by turning counterclockwise. Tapping valves shall conform to AWWA C509.
- D. VALVE BOXES All valves shall be provided with valve boxes. Valve boxes shall be of standard, adjustable, heavy duty cast iron extension type, two piece, 5 1/4 inch shaft,

screw type, and of such length as necessary to extend from valve to finished grade, Tyler #562-S, Tyler #564-S or approved equal. Valve box cover shall be stamped "Water". Tops shall be set at final established grade.

E. **BUTTERFLY VALVES**. Unless otherwise specified valves 16 inches and larger shall be butterfly valves rated at 250 psi working pressure and conform to the applicable portions of AWWA Standard C504, latest edition.

1. **Body** - The valves shall be AWWA Class 250B designed for tight shut-off against a differential pressure of 250 psi. Valve bodies shall be constructed of ductile iron. Two trunnions for shaft bearing shall be integral with the valve body. The valves and appurtenances shall be suitable for buried service.
2. **Ends** - Valves shall have mechanical joint ends and shall be furnished with high strength COR-10 tee head with hex nuts, ductile iron glands, and rubber gaskets for each mechanical joint end.
3. **Discs** - Valve discs of cast steel, fabricated steel, or cast bronze are not acceptable.
4. **Seats** - Seats bonded on the discs are not acceptable.
5. **Shaft Seals** - If stuffing boxes are utilized for shaft seals they shall be constructed of cast iron, ASTM A126. Gland assemblies shall be of cast bronze, ASTM B132. The packing gland shall be housed in a solid walled cast iron, ASTM A48, Class 40 one piece structure or equal.
6. **Operators** - The valve operating mechanism shall be for counterclockwise opening. There shall be no external moving parts on valve or operator except the operator input shaft. Input shaft is to be operated by a 2 inch square operating nut. Maximum required input force on the operator shaft to open and close the valve shall be 40 pounds. The total number of turns applied to the operating nut required to completely open the valve from a completely closed position shall not be less than twice the normal valve diameter. An extension stem shall be furnished to bring the operating nut within 3 1/2 feet of the finished grade. Extension stems shall be securely fastened to the valve stem.

E. **VALVE BOXES** All valves shall be provided with valve boxes. Valve boxes shall be of standard, adjustable, heavy duty cast iron extension type, two piece, 5 1/4 inch shaft, screw type, and of such length as necessary to extend from valve to finished grade, Tyler #562-S, Tyler #564-S or approved equal. Valve box cover shall be stamped "Water". Tops shall be set at final established grade.

F. **AIR RELEASE AND VACUUM VALVES**. Air release valves shall be constructed at high points in the water line as indicated on the plans. These valves shall permit the air in the pipeline to escape as the pipe line fills and allows the air to re-enter as the line empties. These valves shall be APCO Air Release Valves Model #200-A, 250 psi working pressure, 1", cast iron body and cover. 16" and larger water mains shall be a 2" air release valve and curb stop. Refer to Standard Drawing #106 for reference.

8. **STEEL CASING PIPE**

Casing pipe shall be steel pipe with a minimum yield strength of 35,000 psi with a minimum wall thickness as listed below:

Nominal Diameter Casing Pipe	Normal Wall Thickness	Nominal Diameter Casing Pipe	Normal Wall Thickness
Under 350 mm (14")	0.251"	650 mm (26")	0.438"
350 & 400 mm(14"&16")	0.282"	700 & 750 mm(28"&30")	0.469"
450 mm (18")	0.313"	800 mm (32")	0.501"
500 mm (20")	0.344"	850 & 900 mm(34"&36")	0.532"
550 mm (22")	0.375"	950 – 1050mm(38,40&42")	0.563"
600 mm (24")	0.407"	1200 mm (48")	0.626"

The inside diameter of the casing pipe shall be at least 100 mm (4") greater than the outside diameter of the carrier pipe joints. Steel casing sections shall be connected by welding, conforming to AWWA C206.

Adequate pipe spacers shall be installed to ensure that the carrier pipe is adequately supported in the center of the casing pipe throughout it's length, particularly at the ends. There shall not be any metallic contact between the casing and carrier pipe. Casing shall be backfilled with pea gravel or sand after the carrier pipe is installed to prevent pipe movement. Casings shall have both ends sealed up in such a way as to prevent the entrance of foreign material. See Standard Drawing #104 for installation details.

9. **MATERIAL APPROVAL** Material certification and test samples shall be provided by the Contractor, at the contractors expense, as required by Northern Kentucky Water District and the Kentucky Department of Highways. No material shall be used until approved. All rejected material be removed from the project and approved material acquired by the Contractor at the Contractor's expense.
10. **PAVING MATERIALS FOR REPLACEMENT IN KIND** All materials for replacement in kind of streets, sidewalks, curbs, walls etc. shall meet the requirements of the applicable sections of KYDOH Standard Specifications For Road And Bridge Construction.
11. **FLOWABLE FILL** This material shall meet the requirements of SPECIAL NOTE 7X of the Kentucky Department of Highways' Standard Specifications for Road and Bridge Construction.

Section IV CONSTRUCTION

- A. GENERAL Installation of water mains and appurtenances shall conform to the latest edition of AWWA Standard C600 for D.I.P.

Water main pipe and fittings shall be laid on a good level foundation with no gaps or humps under the pipe or fittings. Excavation shall be done by hand at joints to prevent the pipe and fittings from being supported by the mechanical joint or slip joint bell. Pipe shall be laid with the bell ends facing in the direction of laying.

The interior of the pipe shall be thoroughly cleaned of foreign matter before being lowered into the trench and shall be kept clean during laying operations. ALL OPEN ENDS ARE TO BE CLOSED WITH CAPS OR PLUGS AT ALL TIMES WHEN PIPE LAYING OPERATIONS ARE NOT IN OPERATION AND AT THE END OF THE DAY. All caps or plugs shall be properly installed and blocked in advance of filling, flushing, and testing mains. All securing and blocking shall be inspected by the Engineer prior to backfilling of ditch.

- B. HANDLING. Pipe, fittings, valves, hydrants and accessories shall be loaded and unloaded by lifting with hoists or skidding so as to avoid damage. Under no circumstances shall such materials be dropped. Pipe handled on skidways shall not be skidded or rolled against other pipe. Pipe hooks that extend inside the ends of the pipe shall not be used for handling the pipe since they could damage the lining. Under no circumstances shall such materials be dropped. The interior of all pipe, fittings and other accessories shall be kept free from dirt and foreign material at all times. When handling P.V.C. pipe care should be taken to avoid abrasion damage, gouging of the pipe, rocks, and any stressing of the bell joints or damage of the bevel ends.
- C. TREE REMOVAL. Stumps of trees designated for removal 12" in diameter and smaller shall be physically removed. Any stump larger than 12" shall be ground down to 6" below final grade level.
- D. DEWATERING. Should water be encountered, the Contractor shall furnish and operate suitable pumping equipment of such capacity adequate to dewater the trench. The trench shall be sufficiently dewatered so that the laying and joining of the pipe is made in the dry. The Contractor shall convey all trench water to a natural drainage channel or storm sewer without causing any property damage.
- E. CONSTRUCTION EQUIPMENT. Where mains are located in or adjacent to pavements, all backfilling and material handling equipment shall have rubber tires. Crawler equipment shall be permitted when there is no danger of damaging pavement.
- F. TRENCH SUPPORT. Supporting open cuts for mains shall be the responsibility of the Contractor where trenching may cause unnecessary damage to street pavement, trees, structures, poles, utilities, or other private or public property. During the progress of the work, whenever and wherever it is necessary, the Contractor shall, at his expense, support the sides of the excavation by adequate and suitable sheeting, shoring, bracing, or other approved means. Such trench support material and equipment shall remain in place until backfilling operations have progressed to the point where the supports may be withdrawn without endangering property.

G. NOISE DUST AND ODOR CONTROL. The Contractor's construction activities shall be conducted so as to eliminate all unnecessary noise, dust and odors.

H. DISINFECTION AND LEAKAGE TESTING. See Section "Disinfection and Leakage Testing."

I. TRENCH EXCAVATION AND BOTTOM PREPARATION.

1. General. The Contractor shall perform all excavation of every description and of whatever substances encountered to the depths indicated on the drawings or as otherwise specified. During excavation material suitable for backfilling shall be piled in an orderly manner a sufficient distance from the banks of the trench to avoid overloading and to prevent slides or cave-ins. All excavated materials not required or suitable for backfill shall be removed and wasted at a site acquired by the Contractor and approved by the Engineer. Topsoil shall be stripped from the excavation area before excavation begins.

Such grading shall be done as may be required to prevent surface water from flowing into trenches or other excavations, and any water accumulating therein shall be removed by pumping or other approved methods. The trench shall be sufficiently dewatered so that the laying and joining of pipe is made in the dry. The Contractor shall take whatever action necessary to insure that water pumped from the trench will not damage private property. If necessary the Contractor shall haul trench water to another suitable location for disposal.

Such sheeting and shoring shall be furnished and installed by the Contractor, at his own expense, as may be necessary for the protection of the work, protection of other utilities, protection of structures, the safety of the personnel, and the safety of the public. All shoring shall be removed when the work is completed unless directed otherwise by the Engineer. The Contractor shall also furnish whatever barricades or fencing necessary to provide for the safety of pedestrians in excavation areas and for traffic control as discussed in other sections. All open trenches shall be adequately covered, barricaded and/or backfilled during non-working hours in order to adequately protect vehicular and pedestrian traffic.

The Contractor shall excavate whatever material encountered. Trenches shall be excavated to the widths shown in the table headed "Trench Width" or as otherwise indicated in the plans, and the banks shall be as nearly vertical as practicable. The bottom of the trenches shall be accurately graded to provide uniform bearing and support for each section of the pipe or conduit on undisturbed soil at every point along its entire length, except for bell holes and for the proper sealing of the pipe joints. Bell holes and depressions in order that the pipe rest upon the prepared bottom for as nearly its full length as practicable, shall be only of such length, depth, and width as required for properly making the particular type of joint. Additional depth shall be excavated in rock as described elsewhere herein.

Except in cases where the elevations of the water lines are indicated on the plans, trenches for water line shall be of a depth that will provide a minimum cover over the top of the pipe of 36 inches from the indicated finished grade, and avoid interference of the water lines with other existing or proposed utilities. Where the note occurs, "Slope to Drain", the Contractor shall manage to keep a positive slope in that direction in order that air may travel to the air vent. Where paved surfaces are to be disturbed by an open cut,

the Contractor shall provide suitable machinery to cut the edges of the pavement in a smooth straight line.

2. Rock The word "rock" wherever used as the name of an excavated material, shall mean boulders and solid masonry larger than 1/2 cubic yard in volume, or solid ledge rock and masonry which, in the opinion of the Engineer, requires for its removal, drilling and blasting, wedging, sledging, barring, or breaking up with a power operated hand tool. Any material which can be excavated using a hand pick and shovel, power operated excavator, power operated backhoe or power operated shovel shall not be defined as rock.
3. Blasting Rock. No blasting of rock shall be done within 40 feet of pipes or structures without specific permission from the Engineer. Blasts shall be properly covered and the pipe or structure properly protected. Warnings shall be given to all persons in the immediate vicinity. Blasting shall be at the risk of the Contractor who shall be liable for all damages to persons or property. Necessary permits shall be secured and paid for by the Contractor.
4. Trench Width. Widths of trenches shall be held to a minimum to accommodate the pipe and appurtenances. The trench width shall be measured at the top of the pipe barrel and shall conform to the following limits:

Earth

- a. Minimum - outside diameter of the pipe barrel plus 8 inches, 4 inches each side of pipe.
Maximum - nominal pipe diameter plus 24 inches.

Rock

- Minimum – 24" or less, nominal pipe size: outside diameter of pipe barrel plus 12", @ 6" each side.
Minimum - Larger than 24", nominal pipe size: outside diameter of pipe barrel plus 18", @ 9" each side.
Maximum - nominal pipe diameter plus 24".

- b. Butterfly Valves. Trench width shall be over excavated 24" on the side that the operating mechanism is located on the butterfly valve when the surrounding area cannot be hand dug.
 - c. Structures. The minimum excavation limits for structures shall be as indicated. In rock, the excavation limits shall not exceed 12 inches from the outside wall and 6 inches below the footer.
5. Excessive Trench Width. If, for any reason the trench width exceeds the maximum trench width defined in paragraph "Trench Width", the Contractor, subject to approval of the Engineer, shall provide compacted stone bedding, additional strength pipe or concrete encasement, at the contractor expense.
 6. Bottom Preparation The Contractor shall use excavation equipment that produces an even foundation. For the entire length of the trench, a compacted layer of sand or bankrun bedding material shall be installed below the pipe. Bell holes and depressions for joints, valves, and fittings shall be dug after the trench bedding has been graded in order that the pipe rest upon the prepared bedding for as nearly its full length as

practicable. Bell holes and depressions shall be only of such length, depth, and width as required for properly making the particular type of joint.

- a. Earth. The trench shall be excavated to the depth required, so as to provide a uniform and continuous bearing and support for the pipe barrel. A minimum of 3" sand shall be installed on the solid and undisturbed ground. The finished trench bottom shall be accurately prepared by means of hand tools.
 - b. Rock. Where excavation is made in rock or boulder, the trench shall be excavated 6 inches below the pipe barrel for pipe 24 inches in diameter or less, and inches for pipe larger than 24 inches in diameter. All loose material shall be removed from the trench bottom. After preparation of the trench bottom, a pipe bed shall be prepared using sand and thoroughly compacted. The bedding material shall be spread the full width of the trench bottom.
7. Water Main Depth. Mains 12" and less in size shall be not less than 36" in depth and no more than 48" in depth, unless otherwise specified. Mains larger than 12" shall be installed as shown on the plans.
 8. Excessive Trench Depth. If, for any reason, the trench depth exceeds the trench depth shown on the Plans, the Contractor is responsible for any and all additional cost incurred for the excessive depth.
 9. Foundation. The mains are to be built on a good foundation. If, in the Engineer's opinion, the material forming the trench bottom is not suitable for a good foundation, a further depth shall be excavated and the same filled with suitable material. Unauthorized excavation below the trench bottom shall be filled with compacted crushed stone at the Contractor expense.

J. PIPE, VALVE AND HYDRANT INSTALLATION. The provisions of AWWA C600 shall apply in addition to the following:

1. Pipe shall not be laid in water or when trench or weather conditions are unsuitable for the work except when permitted by the Engineer. Unless otherwise indicated in the plans or in Section I, Bid Item Explanations, the material shall be new and unused. The interior of the pipe shall be thoroughly cleaned of foreign matter before being lowered into the trench and shall be kept clean during laying operations by plugging or other approved methods. Pipe shall be laid with bell ends facing in the direction of laying, unless otherwise directed by the Engineer. After placing a length of pipe in the trench, the spigot end shall be centered in the bell of the pipe and forced home. All pipe shall be laid with ends abutting and true to line and grade. Deflection of pipe joints in excess of the manufacturer's recommendations will not be permitted. A watertight pipe plug or bulkhead shall be provided and used to prevent the entrance of foreign material whenever pipe laying operations are not in progress. Any pipe that has the grade or joint disturbed after laying shall be taken up and relaid. Any section of pipe found to be defective before or after laying shall be removed and replaced at the Contractor's expense.
2. Pipe Cutting. The cutting of pipe for installing valves, fittings, or hydrants shall be done in a neat and workmanlike manner without damage to the pipe or lining. The end shall be smooth and at right angles to the axis of the pipe. Flame cutting of metal pipe by means of an oxyacetylene torch shall not be permitted. All pipe cutting shall be at the Contractor's expense.

- 3. Push-On Joints. The surfaces with which the rubber gaskets comes in contact shall be thoroughly cleaned just prior to assembly. The gasket shall then be inserted into the groove in the bell. Before starting joint assembly, a liberal coating of special lubricant shall be applied to the spigot end. (Special lubricant shall be suitable for use in potable water) With the spigot end centered in the bell, the spigot end is pushed home.
- 4. Mechanical Joints. Mechanical joints require that the spigot be centrally located in the bell. The surfaces with which the rubber gasket comes in contact shall be thoroughly cleaned just prior to assembly. The clean surfaces shall be brushed with a special lubricant just prior to slipping the gasket over the spigot end and into the bell. (Special lubricant shall be suitable for use in potable water) The lubricant shall also be brushed over the gasket prior to installation to remove the loose dirt and lubricate the gasket as it is forced into its retaining space. P.V.C. pipe spigot ends shall be field cut smooth and at right angles to the axis of the pipe for installation in mechanical joint fittings.

1. Bolt Torque The normal range of bolt torque to be applied to standard cast iron bolts in a joint are:

Range of Torque Size in foot-pounds
5/8" 40 - 60
3/4" 60 - 90
1" 70 - 100
1-1/4" 90 - 120

- 5. Restrained Joints
 - a. Ball and Socket. Ball and Socket joints shall be assembled and installed according to the manufacturers recommendations. The joint shall be thoroughly cleaned and lubricated. Check the retainer ring fastener. After installation, all slack shall be taken out of the pipe joint.
 - b. Push-On. Assemble and install the push-on joint according to the manufacturer's recommendations. Restrained joint-type pipe and fittings shall only be used as approval by the Engineer. Retaining glands, field lock gaskets, or retaining flanges shall not be considered as providing a restrained joint. The joint shall be thoroughly cleaned and lubricated. Check the retainer ring fastener. After installation, all slack shall be taken out of the pipe joint.
- 6. Setting Valves. Valves shall be set on a firm solid concrete block foundation so that no load will be transferred to the connecting pipe. Valves in water mains shall, where possible, be located on the street property lines extended, unless otherwise shown on the plans. A valve box shall be provided for every valve. The valve box shall not transmit shock or stress to the valve and shall be centered and plumb over the operating nut of the valve. The box cover shall be set flush with the surface of the finished pavement unless otherwise shown. All valves boxes with the exception of isolating valves for fire hydrants that are located in non-paved areas shall have a minimum of 2'x2'x4" concrete pad as shown in Standard Drawing No. 105.
- 7. Setting Hydrants. Hydrants shall be located as shown on the plans or as directed by the Engineer. The location shall provide complete accessibility and minimize the possibility of damage from vehicles or injury to pedestrians. All hydrants shall stand plumb with the pumper nozzle facing the curb. Hydrant shall be set to the established grade, with the

traffic flange within 100 mm (4") above final grade in accordance to Standard Drawing No. 109. Each hydrant shall be controlled by an independent gate valve with valve box. All valves used for hydrant control shall be anchored to the branch tee.

8. Thrust Blocking. All bends over five (5) degrees, plugs, caps, and tees shall be securely blocked against movement with concrete thrust blocks placed against undisturbed earth in accordance with Standard Drawing No. 104. Thrust blocks shall be approved by the Engineer prior to backfilling. Water mains shall have concrete thrust block at all pipe intersections and changes of direction to resist forces acting on the pipeline. All concrete thrust blocks shall be poured in such a manner that the bolts can be replaced without disturbing the blocking.

All caps or plugs used in mains to undergo hydrostatic test shall be properly installed and blocked in advance of testing mains. All caps or plug installations shall be approved by the Engineer's representative before the main is subjected to the pressure test.

- a. Concrete Blocking. Concrete blocking shall be K.D.O.T. Class A concrete as specified in Section "Concrete". Blocking shall be placed between undisturbed ground and the fitting to be anchored. The area of bearing on the fitting and on the ground in each instance shall be that shown herein. The blocking shall, unless otherwise shown, be so placed that the pipe and fitting joints will be accessible for repair.
- b. Tie Rods. If shown or specified, movement shall be prevented by attaching suitable metal rods, clamps or restrained fittings. Steel tie rods or clamps, where permitted, shall be of adequate strength to prevent movement. Steel tie rods or clamps shall be painted with three coats of an approved bituminous paint or coal tar enamel. A minimum of 3/4" welded eye bolts @ a 90 degree bend and 3/4" threaded rods may only be used with the approval of the Engineer for temporary restraint only. Duc-Lucs are prohibited for use.
- c. Restrained Fittings. Restrained fittings, where permitted, shall be subject to the approval of the Engineer.

K. TRENCH BACKFILL

All trench backfill shall be free from cinders, refuse, organic material, boulders, rocks or other material which in the opinion of the Engineer is unsuitable. No backfill shall be made with frozen material.

1. BACKFILL

- a. Trench Bottom Preparation. The pipe shall be bedded on sand to achieve full pipe barrel support. In any event not less than 3" of sand bedding shall be used.
- b. Backfill to 12" Over Pipe Barrel. All trench excavations shall be backfilled immediately after pipe is laid with the exception of thrust blocks. Compacted sand shall be used to backfill the trench from the bottom of the pipe barrel to the 12" over the pipe barrel. No flushing of backfill shall be permitted to achieve compaction. Clay bulkheads shall be installed as specified under Bulkheads Section.
- c. Remaining Trench Backfill. From 12" above the pipe barrel to the surface, excavated trench material or flowable fill may be used as backfill material. No material shall be

used for backfill that contains frozen earth, vegetation or organic material, debris, rocks **8"** or larger measured in any direction, or earth with an exceptionally high void content.

- d. Compaction. All backfill shall be placed in uniform loose layers, not to exceed 12" layers, and each layer shall be compacted to a density not less than 95 percent of the standard Proctor maximum dry density (ASTM D698). The backfill shall be compacted in such a manner and with appropriate equipment so that there is no pipe damage, pipe misalignment or damage to joints. No flushing of backfill shall be permitted to achieve compaction.
- e. Bulkheads. When a granular bedding is provided in rock or when granular backfill is used, the Contractor shall place bulkheads of clay soil across the trench at 100' intervals to resist the movement of groundwater through the granular material. Such bulkheads shall be carefully compacted and shall extend approximately 3 feet in a direction parallel to the pipe and shall extend from the bottom of the trench to a point 4" below final grade level.
- f. Flowable Fill as Backfill As required by the Engineer, flowable fill shall be per Special Note 7X of the Ky. Department of Highways Standard Specifications for Road and Bridge Construction.
- g. Surface Conditions. The trench surface shall be periodically attended to during the course of the contract. The trench surface shall be maintained in a safe condition and shall not interfere with natural drainage.
- L. INSTALLATION OF PIPE BY BORING OR JACKING. At certain locations where designated on the plans, the Contractor will be required to install pipe under paved areas or other obstacles by boring a hole large enough to pull the pipe through without obstructing the designated area, or by jacking, whichever is the most feasible.
- M. WATER METERS Water Meters shall be installed at locations shown on the plans. The meter shall be constructed as shown on Standard Drawings contained herein or in the plans.
- N. CONNECTIONS (TIE-INS) TO EXISTING WATER LINES All connections to existing water lines shall be made at location shown on the plans. Care shall be taken in each case that none of the sterilizing water may enter the system during the sterilizing operation. Each connection shall be preceded with a one inch corporation stop and drain to allow bleeding of the water line of air and sterilizing water. This corporation stop shall be furnished and installed at the Contractor's expense. All sections of pipe and appurtenances to be used for tie-ins and not sterilized, shall be thoroughly cleaned by scrubbing with a chlorine solution prior to installation. All tie-ins of mains shall be done with transitional or straight solid sleeves. Mains shall be flushed of sterilizing water before tie-ins to existing mains are made.
- O. INSTALLATION OF SERVICE LINES Service line shall be installed as shown on the plans or as directed. The Contractor shall excavate whatever material encountered. The service lines shall be installed using boring and jacking or open cut (as specified on the plans) at the depth required to clear existing and proposed sewers, but in no case shall the line be installed with less than 36" cover from final grade. The trench width shall be as excavated to a maximum of 2'. The line shall be laid on firm soil. In rock, sufficient extra depth shall be excavated and refilled with acceptable compacted soil or bedding sand to provide a cushion for the elimination of the possibility of crushing or perforating the pipe. Connections shall be made using normal practices for water line installation and in accordance with the standards

in the plans or contained herein. Backfill shall meet the same requirements as that described in PIPE TRENCH BACKFILL.

- P. **TEMPORARY SERVICE CONNECTIONS** Contractor shall furnish, install, make connections, and maintain all temporary lines and other appurtenances necessary to run temporary service connections as needed to permit construction. All temporary service pipes crossing streets, commercial driveways, and/or wheelchair ramps must be buried to prevent a traffic/pedestrian hazard.

The pipe, hoses and other materials furnished by the Contractor for use as temporary service pipe, shall be clean, water-tight and fully adequate to withstand existing pressures and all other conditions of use.. Care shall be exercised throughout the installation of all temporary pipe and service fittings to avoid any possible contamination of any mains or house services or contamination of the temporary pipe proper. Contractor must disinfect all temporary line. All temporary lines must be flushed before being hooked to service line.

The Contractor shall be responsible for the regularly testing and recording the chlorine level of the temporary lines. If low levels are encountered, the Contractor shall be responsible for flushing the line to get levels into standard. The Contractor shall perform all connecting and disconnecting of temporary bypass to consumers' services and all back clearing of service lines.

The Contractor shall maintain the temporary water service line in safe and operative condition at all times. Any temporary bypass lines or services crossing a sidewalk or driveway shall be temporarily covered with a rubber ramp provided by the Contractor or bituminous cold patch, compacted by a roller or a mechanical compaction device, provided by the Contractor. Ramping method must be approved by the District prior to use. The Contractor shall be responsible for the maintenance of the temporary ramping method and any damage as a result there-of.

Q. **APPLICABLE SPECIFICATIONS & STANDARDS**

The following specifications and standards form a part of these Specification:

- A. **American Water Works Association (AWWA) Standards**
- B. **Northern Kentucky Water District Standards Drawing & Specifications**
- C. **"Manual of Accident Prevention in Construction"** published by the **Associated General contractors of America**
- D. **Kentucky Occupational Safety and Health Administration's "Kentucky Occupational Safety and Health Standards for General Industry"** current edition.
- E. **American National Standards Institute (ANSI)**
- F. **American Society for Testing & Materials (ASTM)**
- G. **Kentucky Division of Water Quality**
- H. **"Recommended Standards for Water Works"** current edition

Section V DISINFECTION AND LEAKAGE TEST

- A. SCOPE. This section covers the disinfection of the new water mains, fittings, temporary services and associated appurtenances. The Contractor shall provide all labor, materials, tools, equipment, and incidentals required to test the mains for watertightness and disinfect the mains as directed by the District and as specified herein. Gauges for the test shall be furnished by the Contractor.
- B. TEST SECTION. After the main has been installed and backfilled all newly installed pipe or any valved section thereof shall be considered a test section.
- C. WITNESS. All tests performed for each test section shall be witnessed and approved by the District before acceptance. In the event the Contractor performs any test without witness by the District, the Contractor will be required to test the section again in conformance with this specification at no cost to the District.
- D. GENERAL. All disinfection work shall conform to the requirements of the latest revision of ANSI/AWWA C651 and the requirements of the Kentucky Division of Water. If any State requirements conflict with the provisions of this section, the State requirements shall govern.

Water required for flushing and disinfection work will be provided as stipulated in the temporary facilities.

When it is necessary to interrupt service to water customers, each customer affected shall be notified in advance of the proposed service interruption and its probable duration in accordance with the project requirements.

- E. DISINFECTION PROCEDURE. During construction or after the installation of the pipe and fittings is complete, an approved disinfection method, according to governing standards, shall be used. The disinfection solution shall be allowed to stand in the main and associated appurtenances for a period of at least twenty-four (24) hours.

During disinfection, all valves, hydrants, and service line connections shall be operated to ensure that all appurtenances are disinfected. Valves shall be manipulated in such a manner that the strong disinfection solution in the main from flowing back into the supply line. Check valves shall be used if required.

All non-disinfected fittings used for tie-ins or repairs shall be cleaned and swabbed with a liquid sodium hypochlorite disinfecting solution prior to installation.

- F. FINAL FLUSHING. Upon completion of chlorination but before sampling and bacteriological testing, Contractor shall remove all heavily chlorinated water from the main and temporary services by flushing with potable water at the maximum velocity which can be developed under the direction and control of the District.

The Contractor shall properly neutralize and dispose of the chlorinated water and flushing water in accordance with all applicable regulations. Contractor shall obtain all special waste disposal permits necessary.

- G. DISPOSAL OF HEAVILY CHLORINATED WATER. Contractor shall apply a de-chlorinating agent to the water to be wasted to neutralize thoroughly the chlorine residual remaining in the water. (See the following table for neutralizing chemicals.) Federal, state, and local regulatory agencies should be contacted to determine special provisions for disposal of heavily chlorinated water.

Chlorine residual of water being disposed of shall be de-chlorinated by treating with one of the chemicals listed in the following table:

**Pounds of Chemicals Required to De-chlorinate Various Residual Chlorine
Concentrations in 100,000 Gallons of Water***

Residual Chlorine Concentration <i>mg/L</i>	Sulfur Dioxide (SO ₂)	Sodium Bisulfate (NaHSO ₃)	Sodium Sulfite (Na ₂ SO ₃)	Sodium Thiosulfate (Na ₂ S ₂ O ₃ @5H ₂ O)
1	0.8	1.2	1.4	1.2
2	1.7	2.5	2.9	2.4
10	8.3	12.5	14.6	12.0
50	41.7	62.6	73.0	60.0

* Except for residual chlorine concentration, all amounts are in pounds.

The Contractor shall provide all necessary materials, equipment and labor for applying the de-chlorinating chemical in a manner such that proper mixing and contact time of the chemical and the heavily chlorinated water is obtained for complete removal of chlorine being flushed. The Contractor shall periodically test the flush water to verify that the chlorine residual is zero.

- H. CHLORINE RESIDUAL TESTS. Upon completion of final flushing, the District will perform chlorine residual tests to ensure the chlorine residual in the main and temporary services is not higher than that generally prevailing in the remainder of the water distribution system and is acceptable to the District.
- I. BACTERIOLOGICAL TESTS. Sampling and testing of water in the main and temporary services will be performed by the District after final flushing. A standard plate count will be made by the District for each sample.
- J. REDISINFECTION. Should the bacteriological tests indicate the presence of coliform organisms at any sampling point, the main and temporary services shall be re-flushed, re-sampled, and re-tested. If check samples show the presence of coliform organisms, the main and temporary services shall be re-chlorinated at no additional cost to the District until results acceptable to the District are obtained.

Re-disinfection shall be completed by the continuous feed or by the slug method. Unless otherwise permitted, the chlorination agent shall be injected into the main and temporary services at the supply end through a corporation cock installed in the top of the pipe. All materials, equipment and labor necessary for the re-disinfection shall be

supplied by Contractor at no additional cost to the District.

- K. HYDROSTATIC TESTING. Hydrostatic Testing will be in accordance with AWWA C600. The water main being tested shall have all air expelled by additional flushing or installation of taps on high points in the line. The pressure of the water main shall be gradually increased to obtain a minimum pressure of 100 psi over the design pressure 250 psi. at the lowest elevation point of the water main or as directed by the Engineer. The test will be for a two (2) hour duration and will not vary by more than 5 psi. All tests performed for each test section shall be witnessed and approved by a representative of the Engineer, in the event any test is performed without a representative of the Engineer, the Contractor shall be required to test the section again. Leakage is defined as the amount of water used to maintain the test pressure.

Section VI

VEHICULAR AND PEDESTRIAN TRAFFIC CONTROL

1. **REFERENCE MATERIALS** Traffic shall be maintained in accordance with the “Manual on Uniform Traffic Control” published by the Federal Highway Administration, current edition of Kentucky Department of Highways Standard Specifications for Road & Bridge Construction and current KYDOH Standard Drawings.
2. **PEDESTRIAN TRAFFIC** Should the Contractor be required to remove sidewalk or any other pavement used by pedestrians, the Contractor shall construct an approved, safe, alternate route with acceptable paving materials. Approval for alternate routes and temporary paving materials shall be acquired from the Engineer. The Contractor shall also construct temporary barricades and fences as required. No extra payment will be made for construction of temporary pedestrian walkways, fences or barricades required for water line construction, but shall be considered incidental to water line construction.
3. **VEHICULAR TRAFFIC** Vehicular traffic shall be maintained as required by the referenced materials listed above. The cost of all temporary paving materials for pavement restoration due to water line construction shall be considered incidental to the contract. The cost for all traffic control materials including signs, barricades, etc. shall be considered incidental to the contract. The Contractor shall be required to keep the construction area safe at all times and check that traffic control devices are in place. Should temporary paving materials used for water line construction fail to perform satisfactorily, the Contractor shall repair same at his own expense.

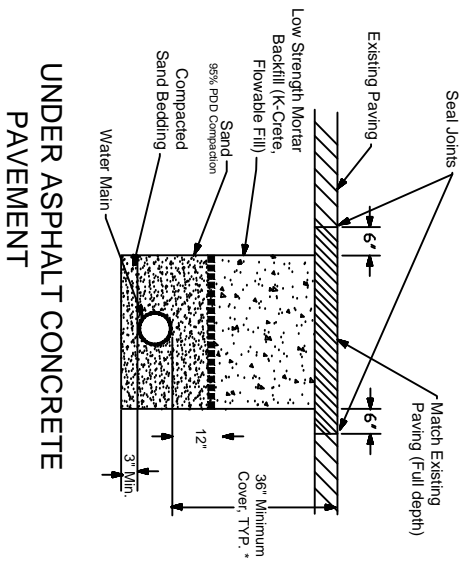
Section VII

TEMPORARY AND PERMANENT RESTORATION

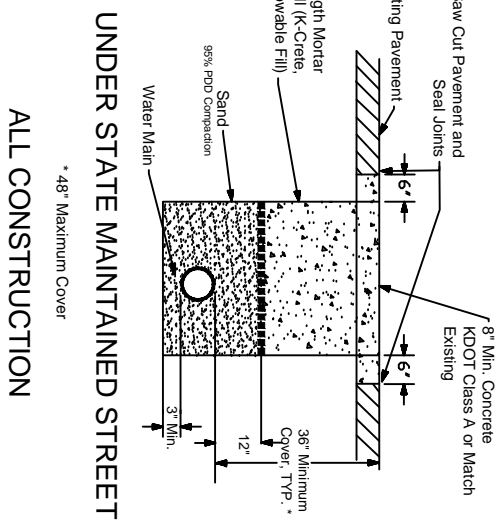
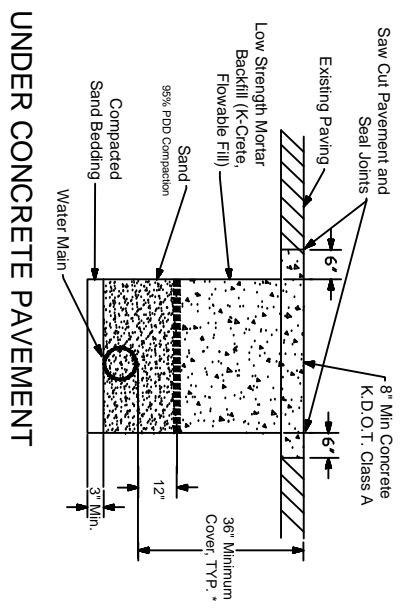
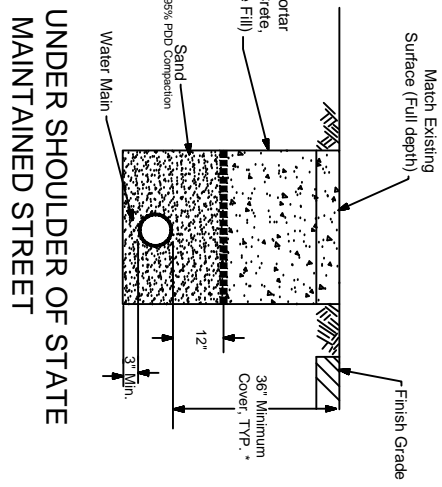
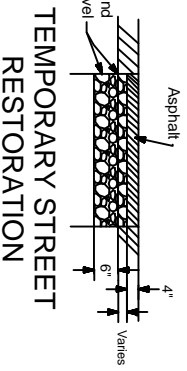
1. **TEMPORARY RESTORATION** Any street, driveway, parking lot, sidewalk, stairs, walls, etc. disturbed by water line construction which is shown on roadway construction plans to be disturbed by roadway construction may be replaced with temporary materials. These temporary materials and their placement shall be approved by the Engineer prior to placement. The cost for temporary paving materials and their placement shall be considered incidental to the cost of water line construction.

2. **PERMANENT RESTORATION** Any street, driveway, parking lot, sidewalk, walls, shrubs, etc. disturbed by water line construction, which is shown on roadway construction plans to remain and not be disturbed by roadway construction, shall be replaced in kind. The concrete, asphalt, and stone removed shall be replaced with the same type material, the same thickness as that removed. All pavement shall be removed and replaced to 1' beyond the limits of excavation as detailed on drawing contained herein. These permanent materials and their placement shall be approved by the Engineer prior to placement. The Contractor shall reconstruct same to the original lines and grades and in such a manner as to leave all such items in fully as good or better condition than that which existed prior to construction. All restoration work shall conform to the requirements of KDOH Standard Specifications for Road and Bridge Construction and to the drawing for pavement restoration contained herein. The cost for this permanent restoration shall be considered incidental to the cost of the water line construction.

3. **SEEDING AND SODDING** This work shall be performed under bid items pertaining to same for roadway construction and in accordance with KDOH Standard Specifications for Road and Bridge Construction.

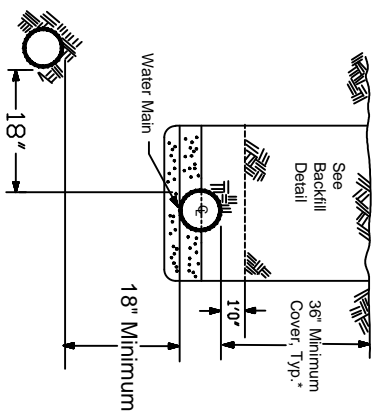
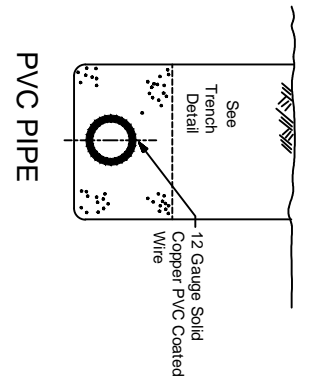
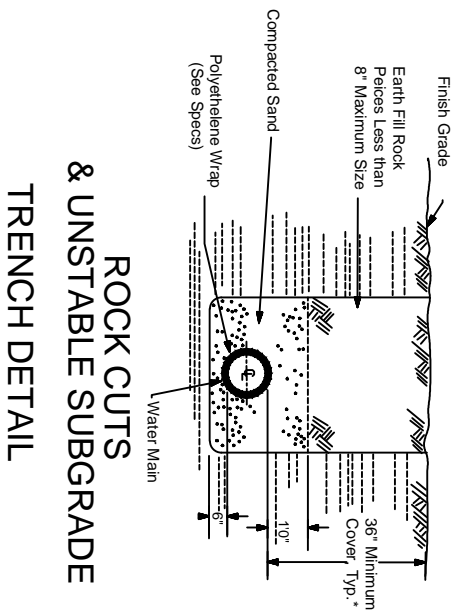
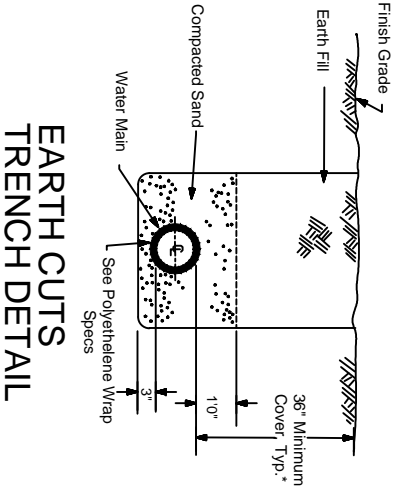


PDD = Standard Proctor Dry Density
-ASTM D698



REVISION	BY	DATE
1. All streets low stgh mortar	MPA	10/30/95

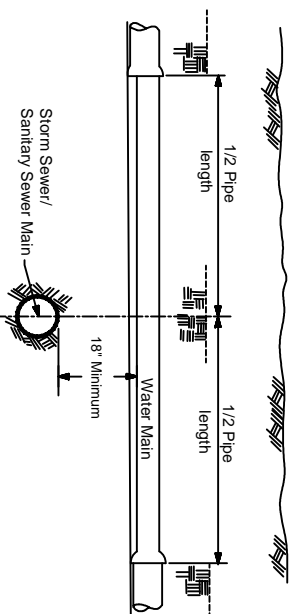
DATE:	8/5/2014
STANDARD DRAWING NO:	103A
DRAWN BY:	SAR
APPROVED:	RM
N. KY. WATER DISTRICT TYPICAL PIPELINE TRENCH DETAIL	



ALTERNATE TO BE USED ONLY ON APPROVAL BY THE DISTRICT

Water Main must be located a minimum of 10 feet lateral distance from any existing or future sewer lines or manholes, or as shown in the above alternate.

WATER MAIN PARALLELING
SEWER MAIN



WATER MAIN CROSSING SEWER

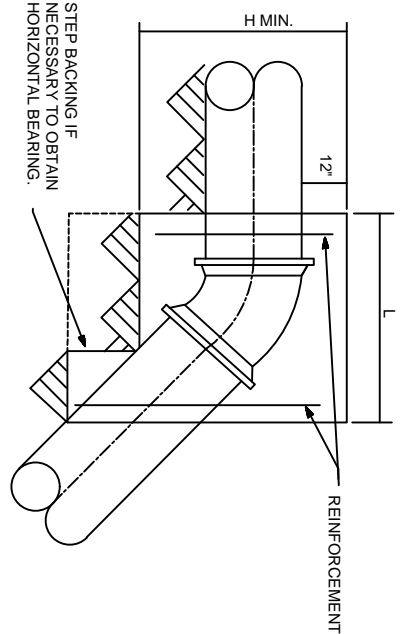
ROCK CUTS & UNSTABLE SUBGRADE TRENCH DETAIL

SUBDIVISION CONSTRUCTION

* Unless Otherwise Noted

REVISION	BY	DATE
1. 8" Max. Rock size	MPS	1/15/93

N. KY. WATER DISTRICT	
TYPICAL PIPELINE TRENCH DETAIL	
DRAWN BY: SAR	
APPROVED: RA	
DATE: 8/5/2014	
STANDARD DRAWING NO: 103	

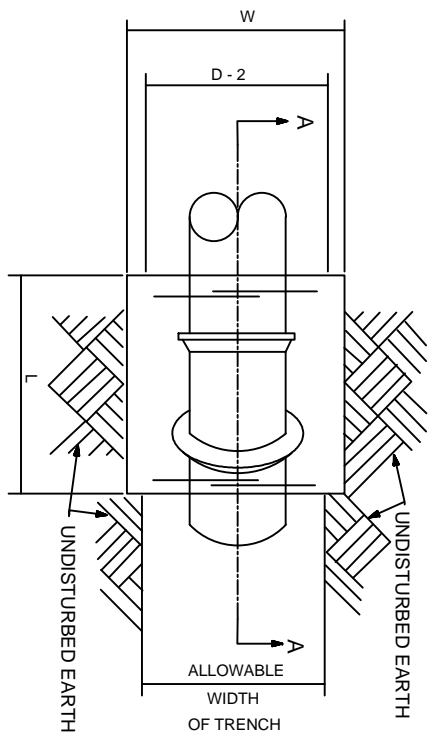


CONCRETE BACKING FOR VERTICAL BENDS

1. BACKING DESIGNED FOR 3000 POUNDS PER SQUARE FOOT SOIL BEARING AND 150 POUNDS PER SQUARE INCH INTERNAL PRESSURE.
 2. PROVIDE MINIMUM CONCRETE REINFORCEMENT OF 2 PAIR OF TWO 5" "U" BARS @ 12" C.
 3. CENTER BACKING ON BEND.
- BLOCKING FOR SIZES NOT SHOWN SHALL USE THE NEXT LARGER SIZE.

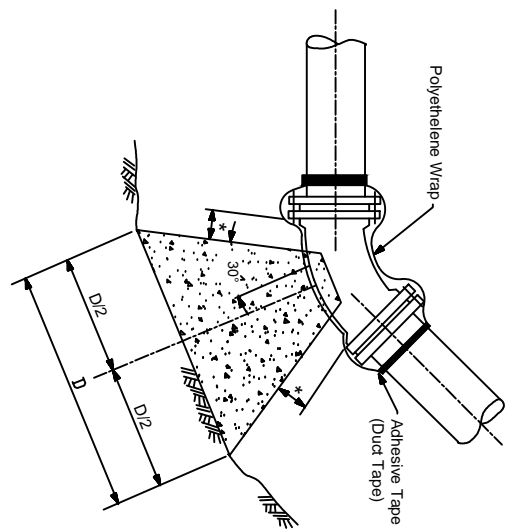
SIZE of PIPE	11 1/4			22 1/2			45					
	L"	W"	H"	L"	W"	H"	L"	W"	H"			
4"	12	24	16	2.7	15	30	18	4.7	22	36	24	11.0
6"	12	43	18	5.4	16	48	34	15.1	30	55	24	22.9
8"	12	54	24	9.0	18	57	36	21.4	36	57	33	39.2
12"	20	63	36	26.3	37	62	37	49.2	48	62	51	88.0
16"	31	65	38	44.4	60	65	39	88.2	65	65	65	159.2
20"	45	70	40	73.0	56	70	60	136.4	72	76	78	247.5
24"	47	72	54	106.0	67	74	69	198.4	88	84	84	360.1

NOTE: VOLUMES GIVEN IN CUBIC FEET

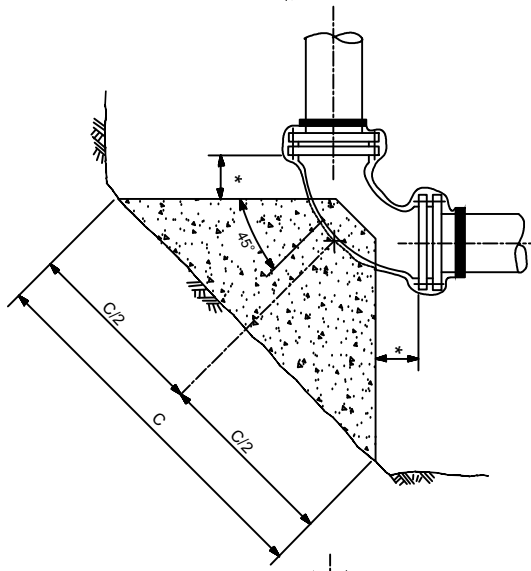


PLAN

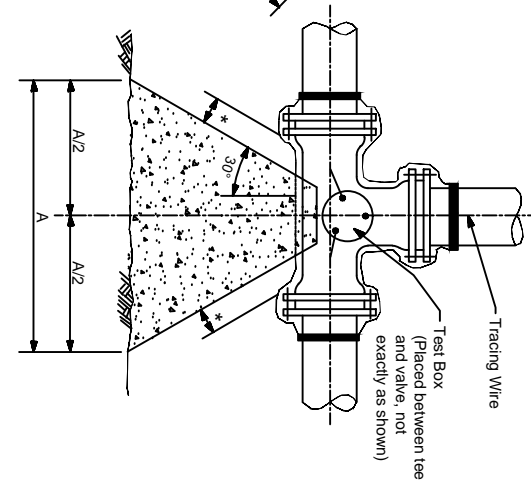
N. KY. WATER DISTRICT CONCRETE THRUST BLOCKING FOR VERTICAL BENDS	REVISION	BY	DATE
DRAWN BY: SAR APPROVED: <i>[Signature]</i>	DATE: 8/5/2014	STANDARD DRAWING NO. 1044A	



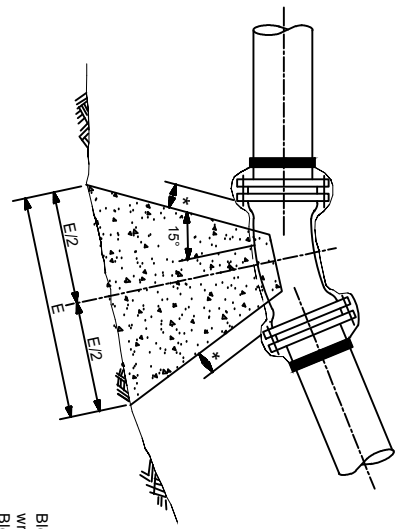
45° BEND



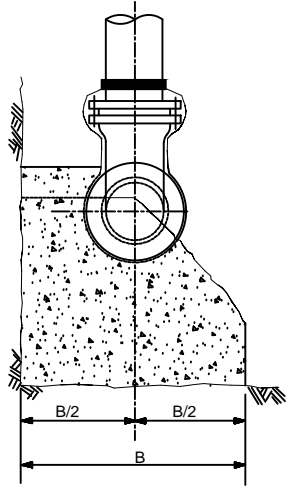
90° BEND



TEE (DEAD END OR FIRE HYDRANT SIMILAR)



11 1/4° & 22 1/2° BEND



ELEVATION

PIPE SIZE	A	B	C	D	E
6"	20'26"	16'1'6"	30'3'6"	16'2'0"	10'1'0"
8"	26'3'6"	20'2'0"	36'4'6"	20'2'6"	10'1'6"
10"	36'4'0"	26'2'6"	46'5'6"	26'3'0"	16'1'6"
12"	40'5'0"	30'3'0"	56'6'6"	30'3'6"	16'2'0"
16"	50'6'0"	30'4'0"	70'8'6"	40'4'6"	30'3'0"
20"	60'7'6"	50'5'0"	70'10'6"	40'6'0"	30'3'0"

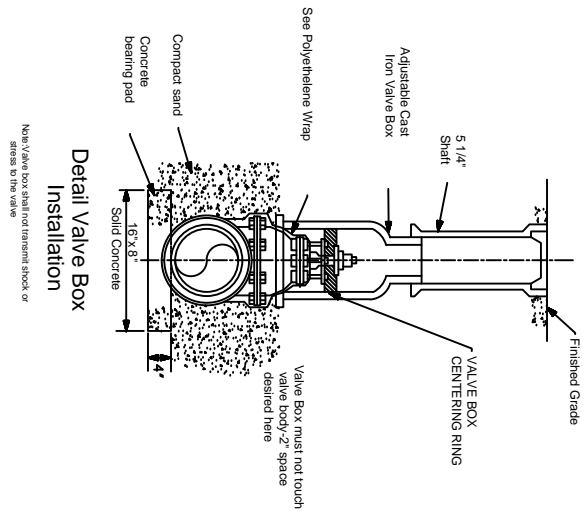
* Distance to be 1/2" longer than entire length of the bolt used.

NOTES

1. DIP Fittings shall be per specifications.
2. Concrete to be 3500 psi.
3. All fittings to be Mechanical Joint.
4. Thrust blocks to be placed against undisturbed earth - use additional concrete as required for over excavation.
5. Blocking to be placed in a manner so that bolts can be removed without disturbing the block.

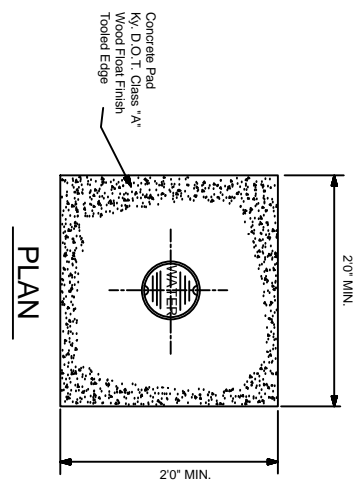
Blocking shall be poured after blue polyethylene wrap is in place.
Blocking shall be inspected by the District prior to backfilling.

DRAWN BY: SAR	N. KY. WATER DISTRICT CONCRETE THRUST BLOCK DETAIL		REVISION	BY DATE
	APPROVED: 	DATE: 8/5/2014	STANDARD DRAWING NO. 104	[]

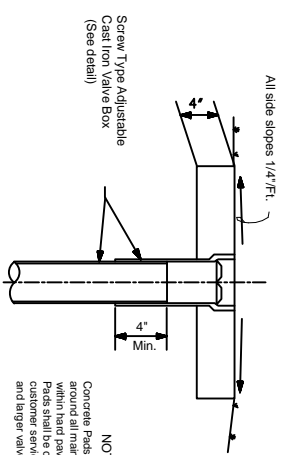


Detail Valve Box Installation

Note: Valve box shall not transmit shock or stress to the valve



PLAN



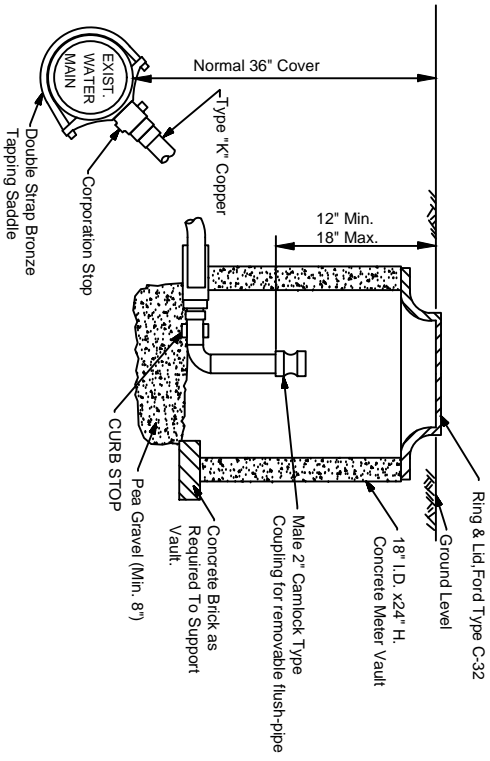
ELEVATION

NOTES
Concrete Pads shall be constructed within hand poured concrete. Pads shall be constructed around customer service line valve boxes 3\"/>

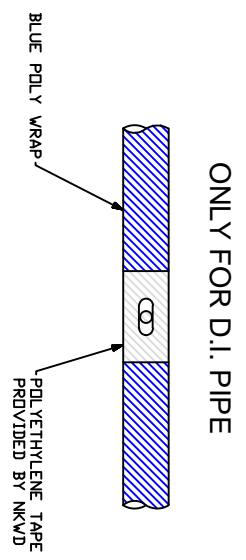
Screw Type Adjustable Cast Iron Valve Box (See detail)

REVISION		BY	DATE
+	20" Concrete pad use	MPS	6/28/93
	Detail Valve Box Installation	MPS	9/22/93

DRAWN BY: SAR		N. KY. WATER DISTRICT VALVE BOX AND VALVE PAD DETAIL
APPROVED: RA		
DATE:	8/5/2014	
STANDARD DRAWING NO.:	105	

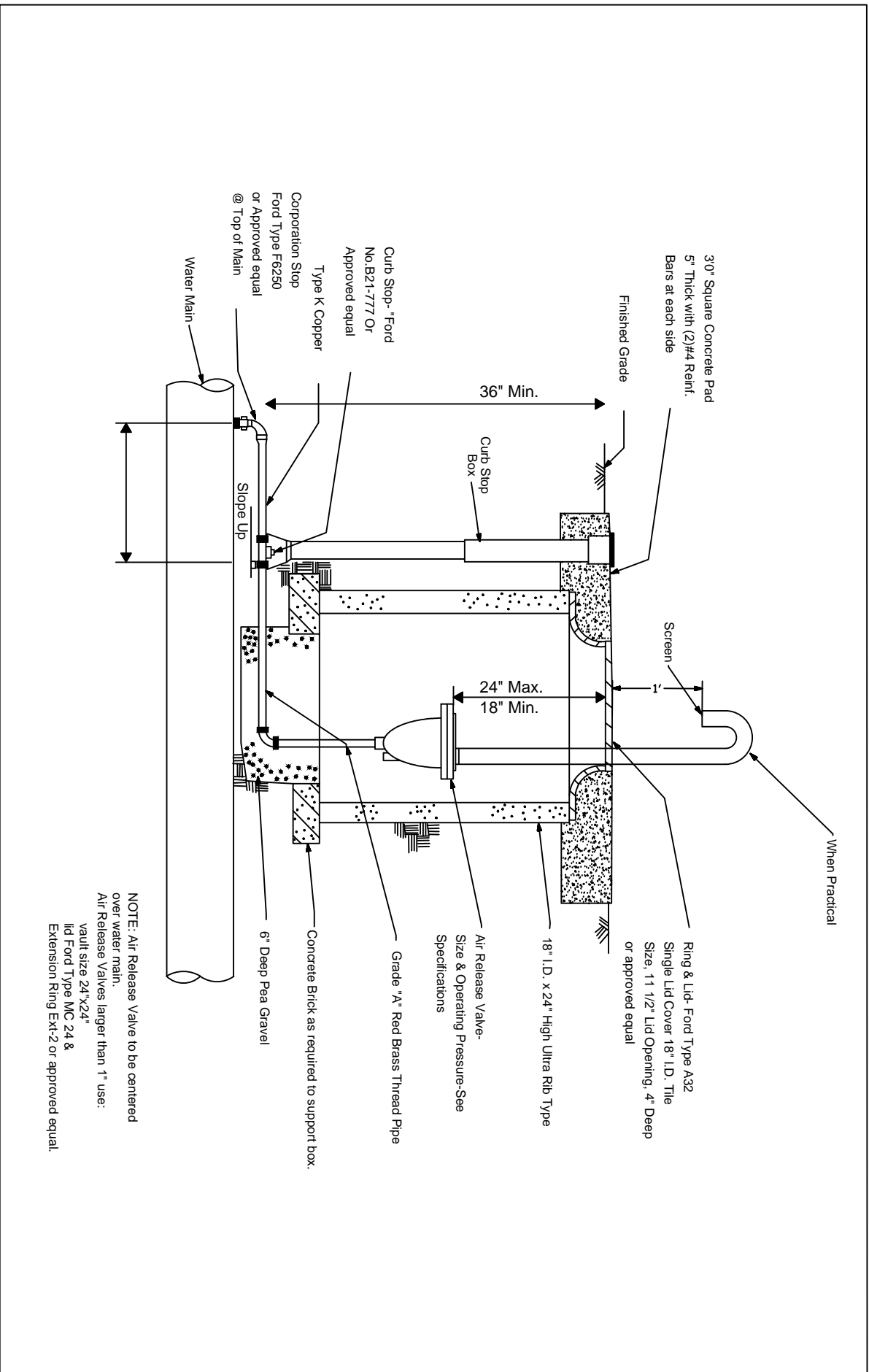


**TYPICAL MANUAL AIR RELEASE VALVE
INSTALLATION**
N.T.S.



REVISION		BY DATE	

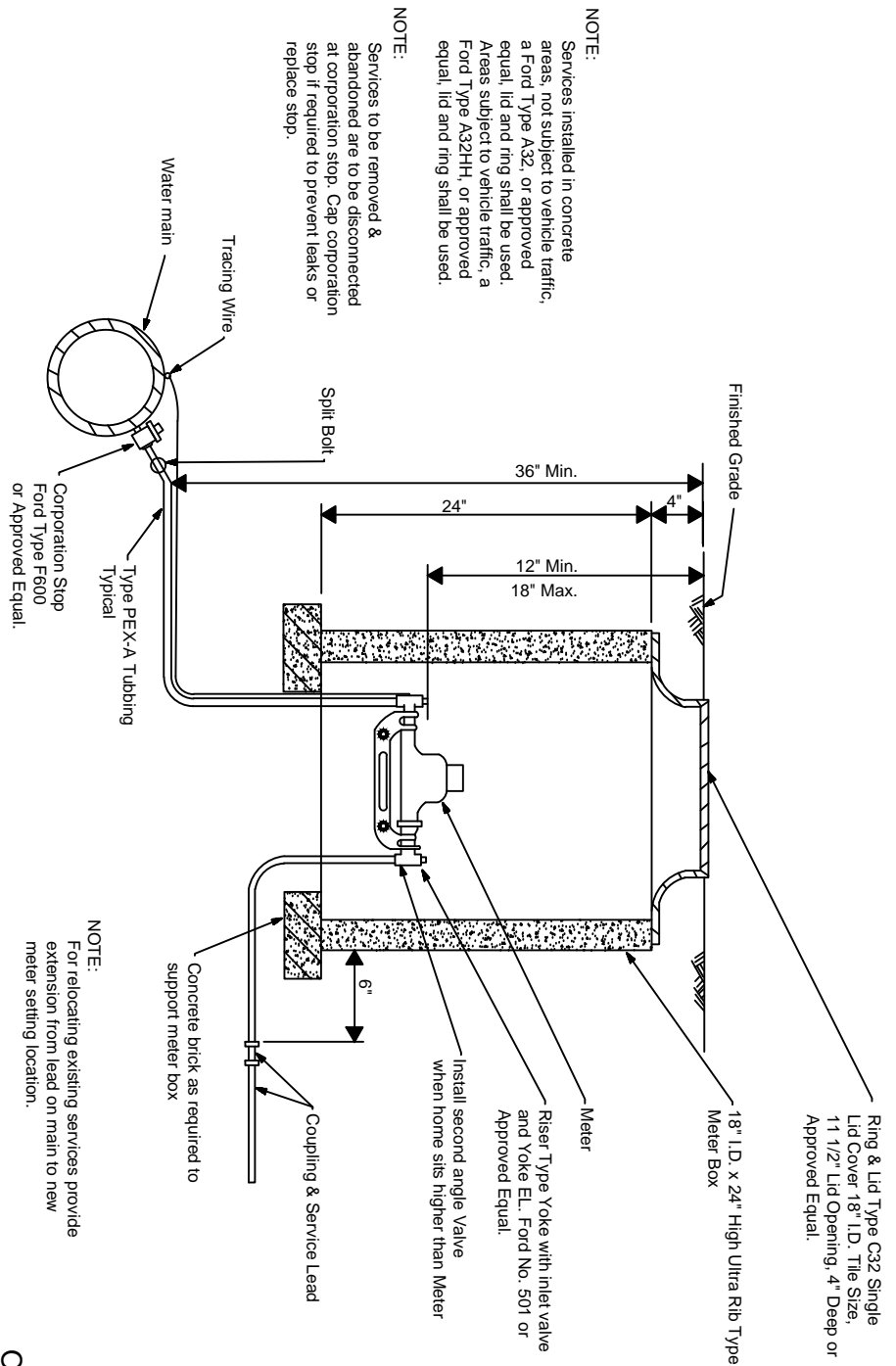
DATE:	8/5/2014
STANDARD DRAWING NO.	106A
APPROVED:	<i>[Signature]</i>
DRAWN BY:	SAR
N. KY. WATER DISTRICT	
TYPICAL MANUAL AIR RELEASE VALVE INSTALLATION	



NOTE: Air Release Valve to be centered over water main.
Air Release Valves larger than 1" use: vault size 24"x24"
lid Ford Type MC 24 & Extension Ring Ext-2 or approved equal.

REVISION	BY	DATE

DRAWN BY: SAR	N. KY. WATER DISTRICT
APPROVED:	N.KY WATER DISTRICT
DATE: 8/5/2014	AIR RELEASE VALE
STANDARD DRAWING NO:	
106	

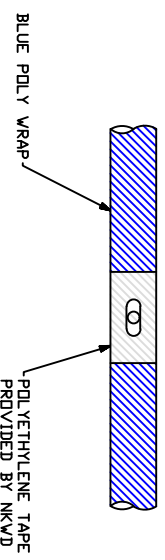


NOTE:
Services installed in concrete areas, not subject to vehicle traffic, a Ford Type A32, or approved equal, lid and ring shall be used. Areas subject to vehicle traffic, a Ford Type A32HH, or approved equal, lid and ring shall be used.

NOTE:
Services to be removed & abandoned are to be disconnected at corporation stop. Cap corporation stop if required to prevent leaks or replace stop.

PVC Mains-Use single hand brass saddle
Ford Type 101 BS or equal.

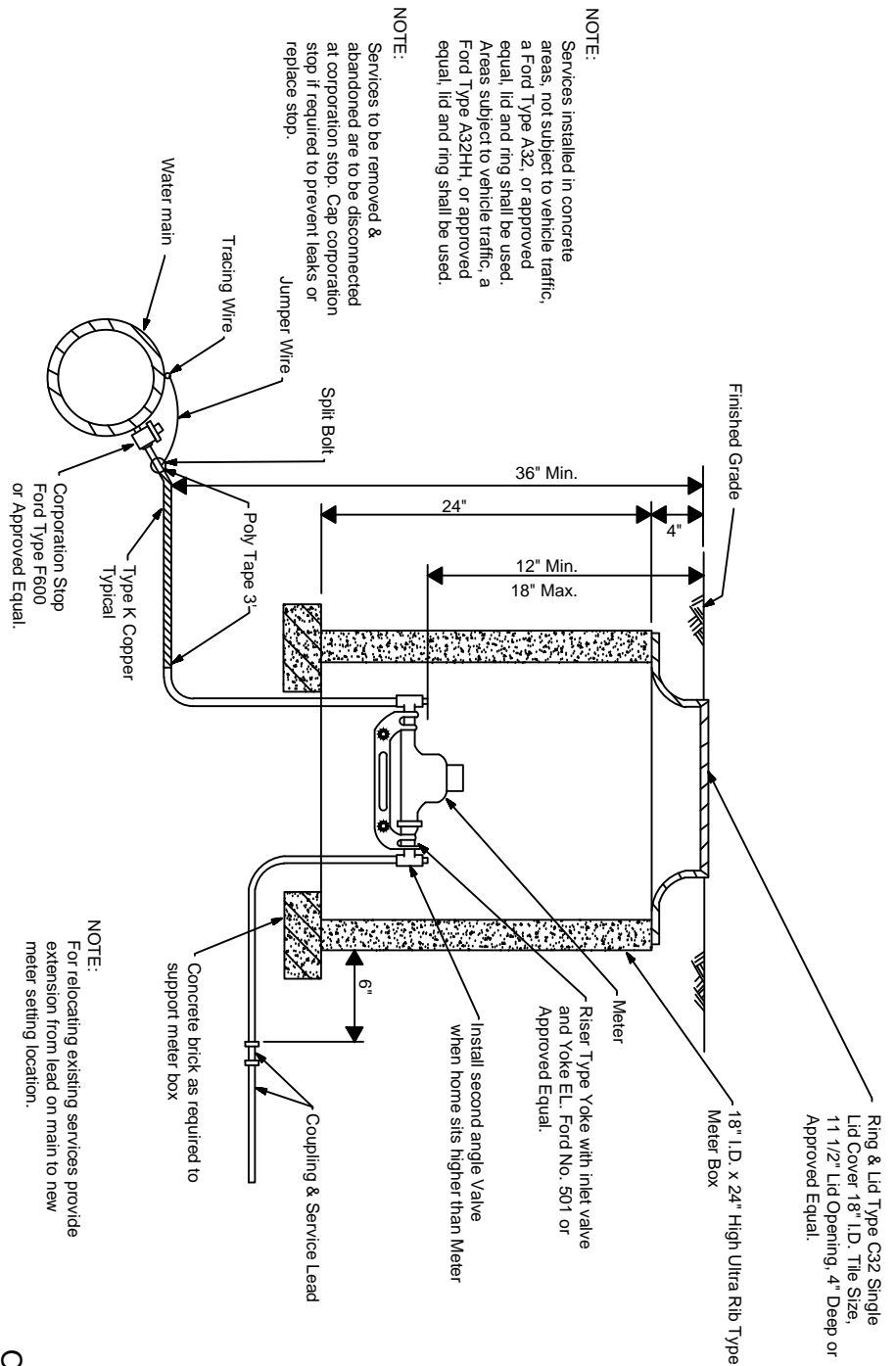
NOTE:
For relocating existing services provide extension from lead on main to new meter setting location.



ONLY FOR D.I. PIPE

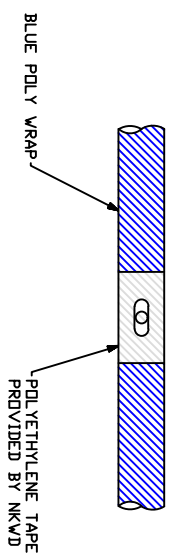
REVISION	BY	DATE

N. KY. WATER DISTRICT	
5/8" & 1" METER SETTING PEX-A SERVICE LINE	
DRAWN BY: SAR	DATE: 8/5/2014
APPROVED:	STANDARD DRAWING NO: 107-A



PVC Mains-Use single band brass saddle
Ford Type 101 BS or equal.

NOTE:
For relocating existing services provide extension from lead on main to new meter setting location.

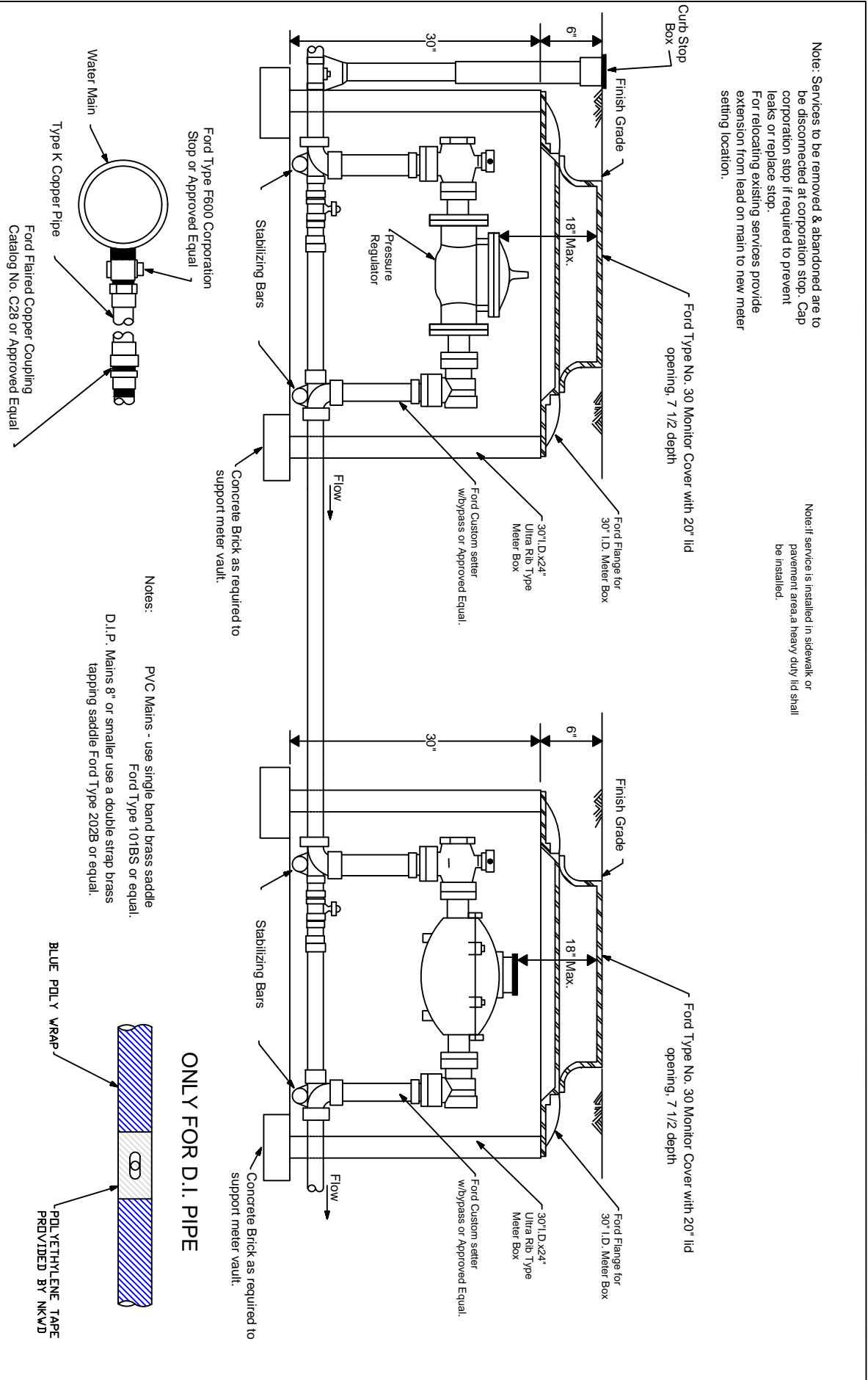


REVISION	BY	DATE

N. KY. WATER DISTRICT	
5/8" & 1" METER SETTING COPPER	
DRAWN BY: SAR	DATE: 8/5/2014
APPROVED: <i>[Signature]</i>	STANDARD DRAWING NO: 107

Note: Services to be removed & abandoned are to be disconnected at corporation stop. Cap leaks or replace stop.
For relocating existing services provide extension from lead on main to new meter setting location.

Note: If service is installed in sidewalk or pavement area, a heavy duty lid shall be installed.

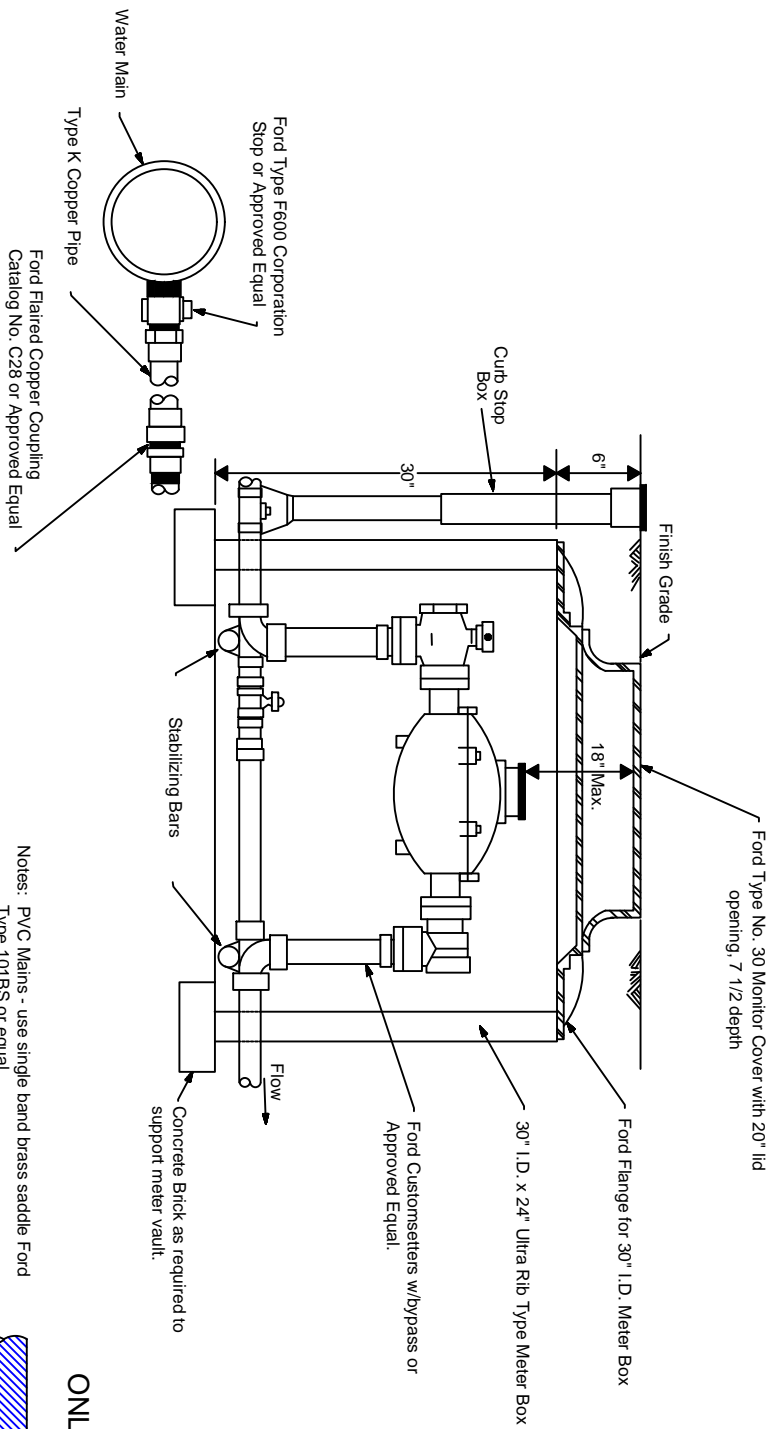


REVISION	BY	DATE

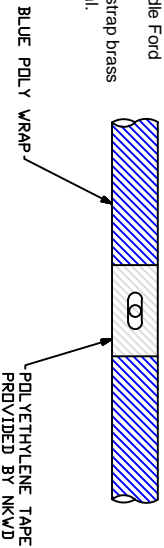
N. KY. WATER DISTRICT		
1-1/2" & 2" METER SETTING		
REQUIRING PRESSURE REGULATOR		
DRAWN BY: SAR	APPROVED: <i>RH</i>	DATE: 8/5/2014
STANDARD DRAWING NO. 108-A		

Note: Services to be removed & abandoned are to be disconnected at corporation stop. Cap corporation stop if required to prevent leaks or replace stop. For relocating existing services provide extension from lead on main to new meter setting location.

Note: If service is installed in sidewalk or pavement area a heavy duty lid shall be installed.



Notes: PVC Mains - use single band brass saddle Ford Type 101BS or equal.
D.I.P. Mains 8" or smaller use a double strap brass tapping saddle Ford Type 202B or equal.



ONLY FOR D.I. PIPE

REVISION	BY	DATE

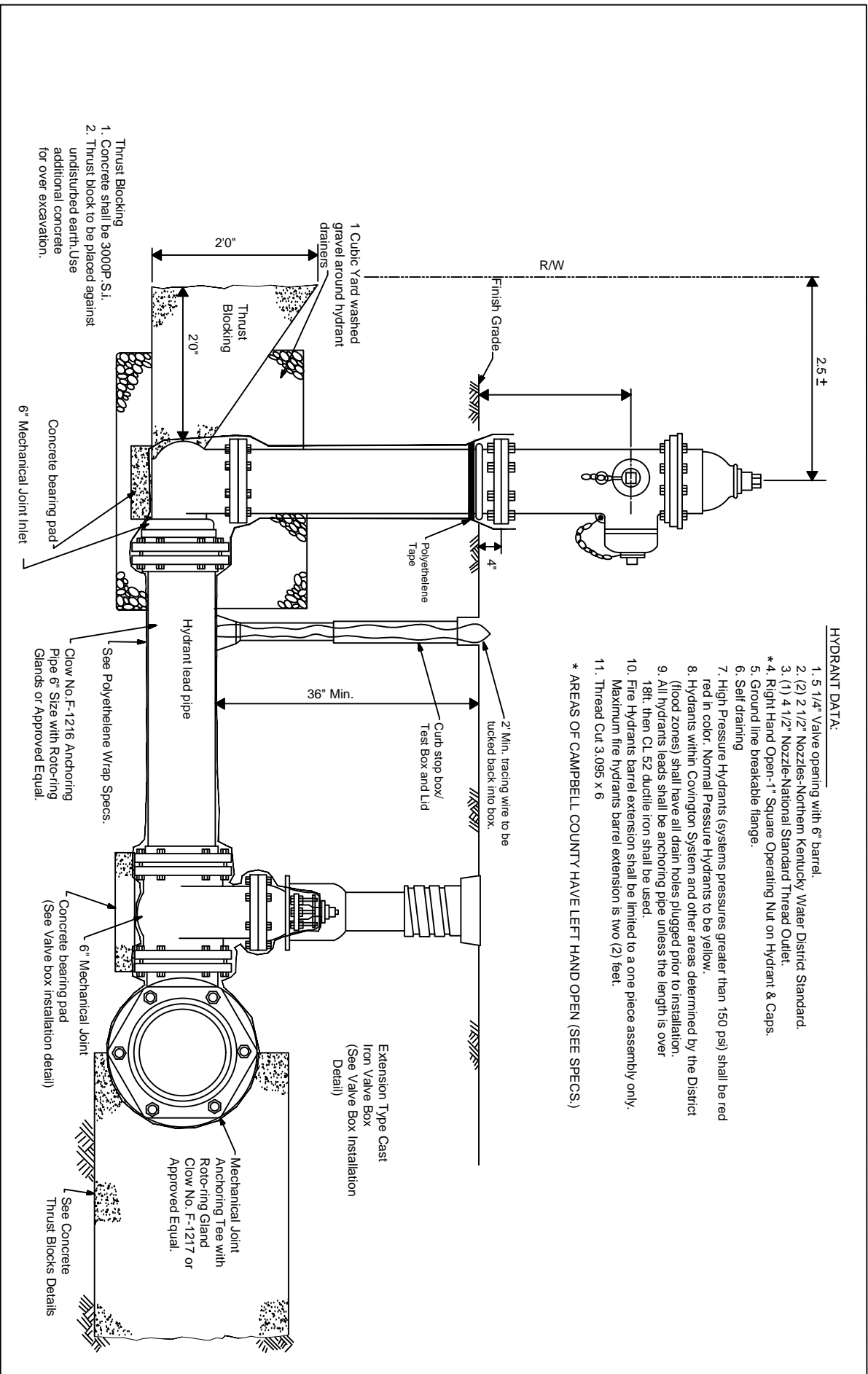
N. KY. WATER DISTRICT
1-1/2" & 2" METER SETTING

DRAWN BY:
SAR

APPROVED:
RH

DATE:
8/5/2014

STANDARD DRAWING NO.
108



HYDRANT DATA:

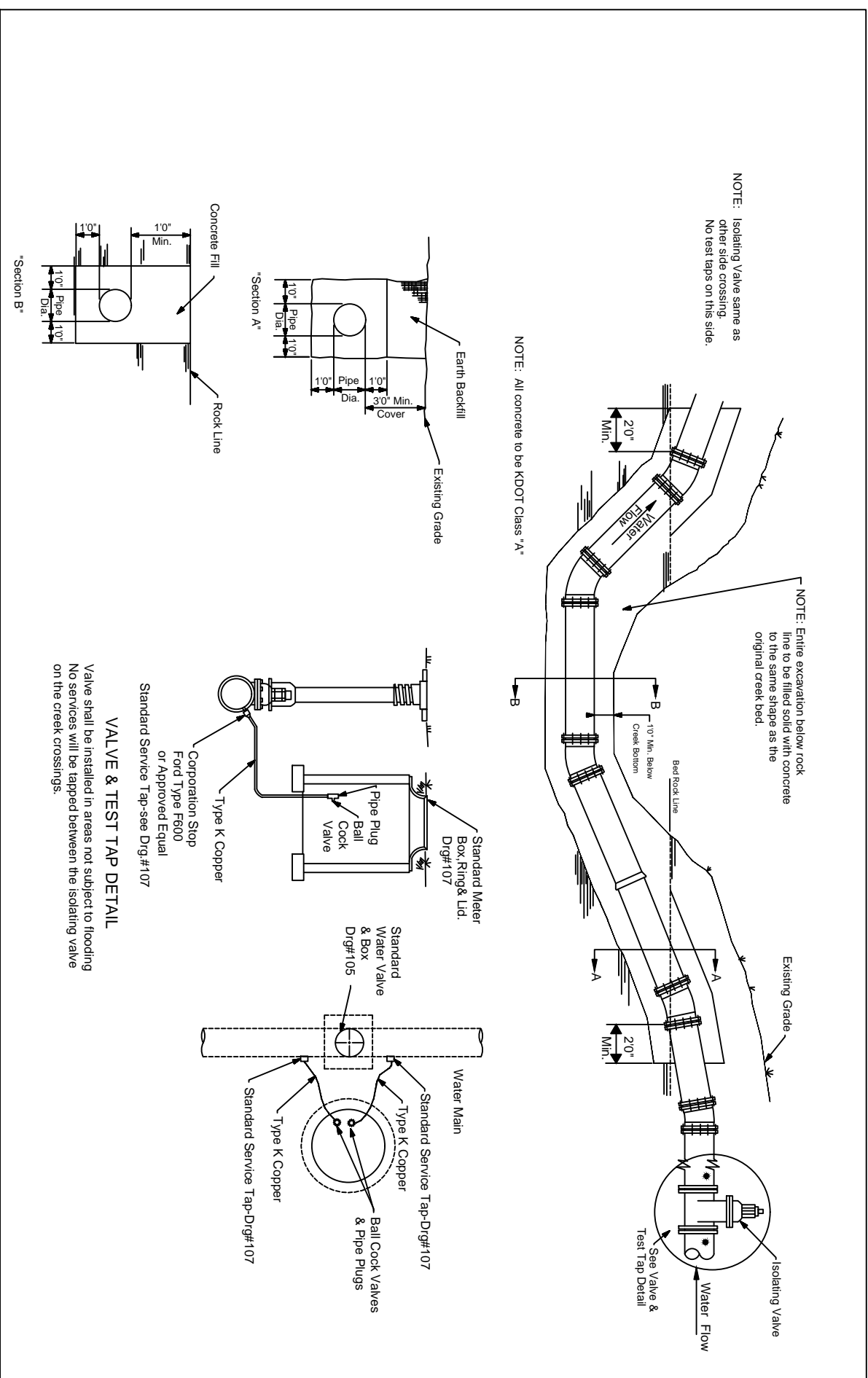
1. 5 1/4" Valve opening with 6" barrel.
 2. (2) 2 1/2" Nozzles-Northern Kentucky Water District Standard.
 3. (1) 4 1/2" Nozzle-National Standard Thread Outlet.
 - *4. Right Hand Open-1" Square Operating Nut on Hydrant & Caps.
 5. Ground line breakable flange.
 6. Self draining
 7. High Pressure Hydrants (systems pressures greater than 150 psi) shall be red in color. Normal Pressure Hydrants to be yellow.
 8. Hydrants within Covington System and other areas determined by the District (flood zones) shall have all drain holes plugged prior to installation.
 9. All hydrants leads shall be anchoring pipe unless the length is over 18ft. then CL 52 ductile iron shall be used.
 10. Fire hydrants barrel extension shall be limited to a one piece assembly only. Maximum fire hydrants barrel extension is two (2) feet.
 11. Thread Cut 3.095 x 6
- * AREAS OF CAMPBELL COUNTY HAVE LEFT HAND OPEN (SEE SPECS.)

1. Thrust Blocking
Concrete shall be 3000P S.I.
2. Thrust block to be placed against undisturbed earth. Use additional concrete for over excavation.

REVISION	BY	DATE
Blocking conc.pads.polywrap	MPS	8/22/93
Extension to barrel	MPS	12/22/93
Blocking inside R/W	MPS	10/25/95

DATE:	8/5/2014
STANDARD DRAWING NO.	109
DRAWN BY:	SAR
APPROVED:	<i>[Signature]</i>

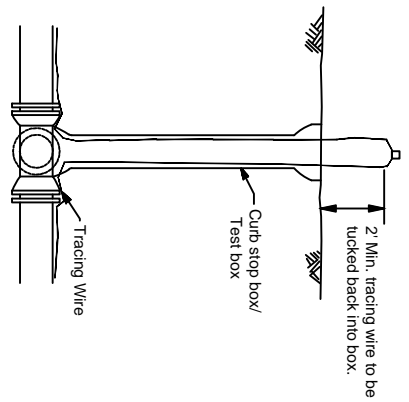
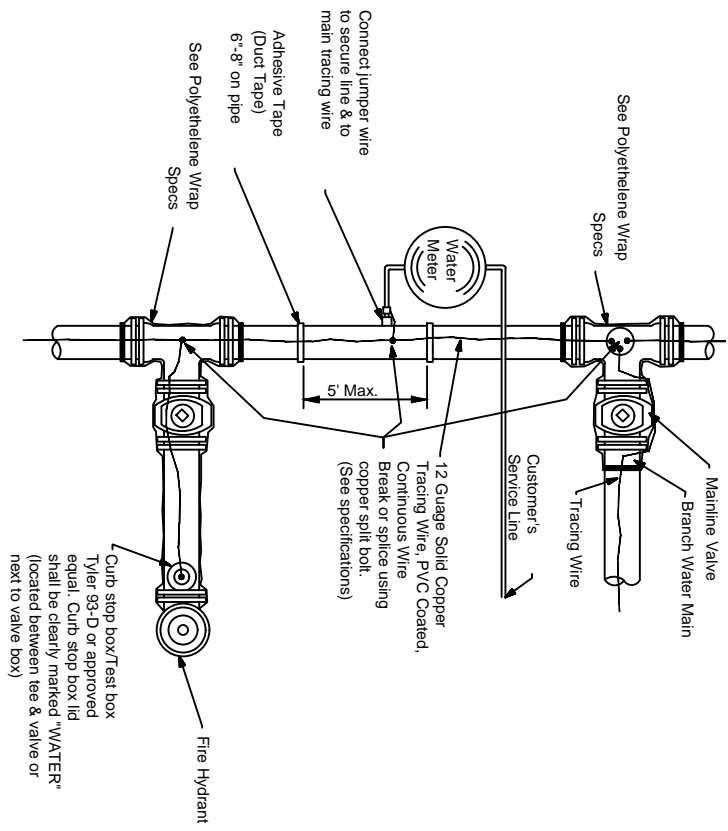
N. KY. WATER DISTRICT	
HYDRANT ASSEMBLY	



VALVE & TEST TAP DETAIL
Valve shall be installed in areas not subject to flooding
No services will be tapped between the isolating valve
on the creek crossings.

REVISION	BY	DATE

DRAWN BY: SAR		N. KY. WATER DISTRICT CONCRETE ENCASUREMENT AT CREEK CROSSING
APPROVED: <i>[Signature]</i>		
DATE:	8/5/2014	STANDARD DRAWING NO. 110



Connect wires using copper split bolt.

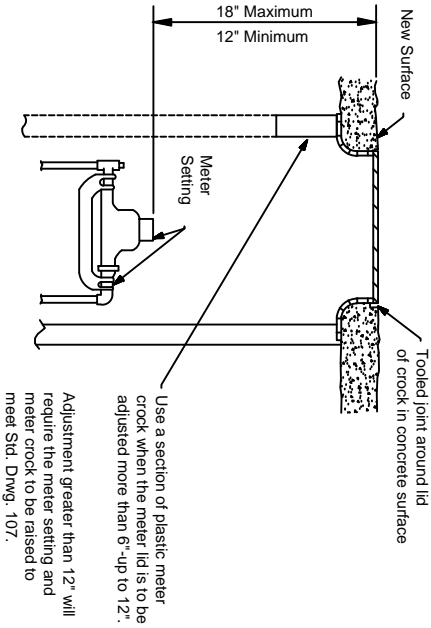
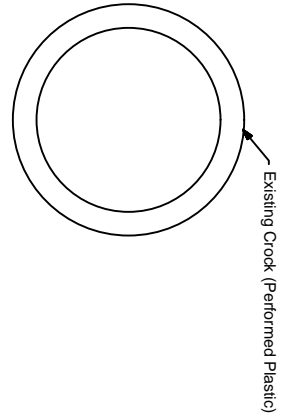
Note: Curb stop box/test box shall not be installed in paved areas.

**DUCTILE IRON AND PVC PIPE
WITH DUCTILE IRON FITTINGS**

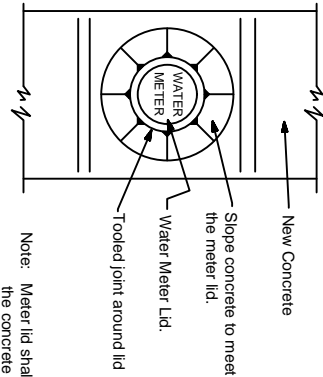
Curb stop box/test box Tyler 93-D or approved equal. Curb stop box lid shall be clearly marked "WATER" (located between tee & valve or next to valve box)

REVISION	BY	DATE

N. KY. WATER DISTRICT	
TRACING WIRE INSTALLATION DETAIL	
DRAWN BY: SAR	APPROVED: <i>RH</i>
DATE: 8/5/2014	STANDARD DRAWING NO: 111



Use a section of plastic meter crock when the meter lid is to be adjusted more than 6"-up to 12".
Adjustment greater than 12" will require the meter setting and meter crock to be raised to meet Std. Dwg. 107.



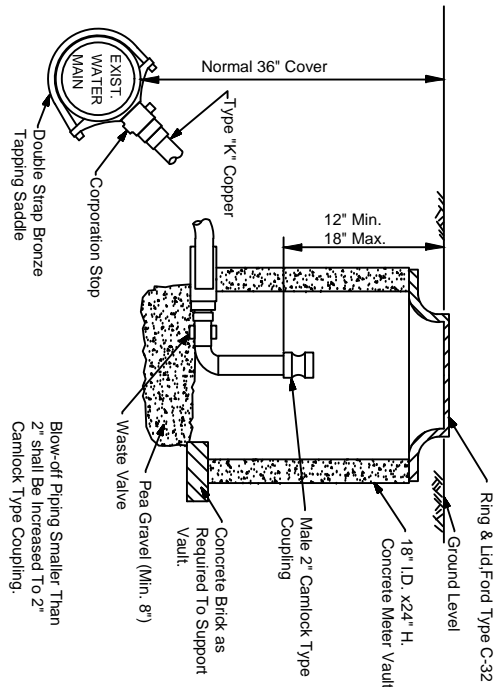
Note: Meter lid shall be flush with the top of the concrete surface. The concrete surface shall be tapered to provide a smooth transition to the meter lid. A tooled joint shall be formed around the meter lid.

NOTE: SERVICES INSTALLED IN CONCRETE AREAS, NOT SUBJECT TO VEHICLE TRAFFIC, A FORD TYPE A32, OR APPROVED EQUAL, LID AND RING SHALL BE USED. AREAS SUBJECT TO VEHICLE TRAFFIC, A FORD TYPE A32HH, OR APPROVED EQUAL, LID AND RING SHALL BE USED.

PLASTIC (PVC) METER CROCKS shall be raised by use of an adapter with a section of plastic crock cut to achieve final grade.
At no time shall wood be used to adjust the ring and lid to grade.
Meter ring and lids shall be reset solidly and shall have no broken edge to allow dirt to enter the crock.
If the meter box is damaged beyond repair, it shall be replaced. See Standard Drawing 107.
RAISING CURB STOPS OR VALVE BOXES:
Curb stop boxes and valve boxes shall be raised by turning the upper section to meet grade. If the upper section cannot be raised in this manner it shall be carefully broken off and replaced.
New upper sections shall be supplied by NKWD

REVISION	BY	DATE

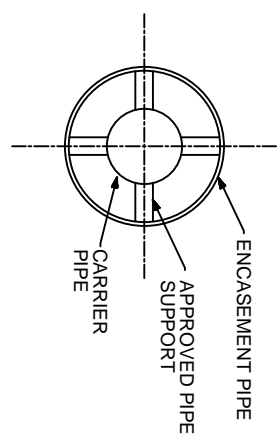
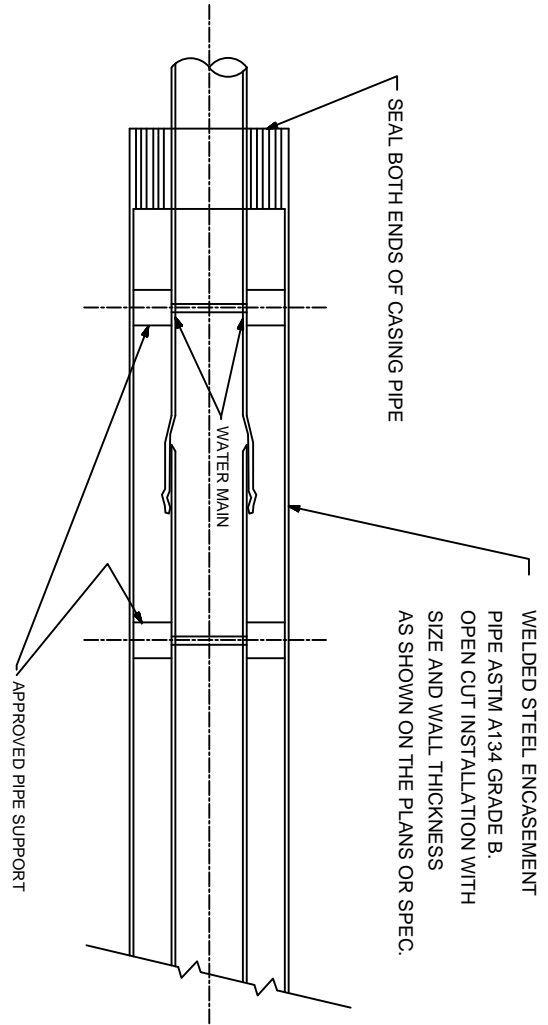
N. KY. WATER DISTRICT	
ADJUDTING RING & LID TO GRADE	
DRAWN BY: SAR	APPROVED: SA
DATE: 8/5/2014	STANDARD DRAWING NO. 112



**TYPICAL FLUSHING DEVICE
INSTALLATION**
N.T.S.

REVISION	BY	DATE

N. KY. WATER DISTRICT	
TYPICAL FLUSHING DEVICE INSTALLATION	
DRAWN BY: SAR	
APPROVED: <i>[Signature]</i>	
DATE: 8/5/2014	
STANDARD DRAWING NO. 113	



- NOTE: CASING PIPE JOINTS SHALL BE SEAM WELDED SO THAT CASING IS WATER TIGHT FROM END TO END.
1. All carrier pipe placed in steel casing pipe shall be minimum class 50 ductile iron pipe and conform to the latest edition of AWWA C151.
 2. Carrier pipe gaskets shall develop a wedging action between pairs of high-strength stainless steel elements spaced around the gasket (FIELD LOK, FASTGRIP, or approved equal gaskets).

ENCASUREMENT PIPE DETAIL
NO SCALE

REVISION	BY	DATE
1. Remove Granular Fill	JS	2/1/00

N. KY. WATER DISTRICT	
ENCASEMENT PIPE DETAIL	
DRAWN BY: SAR	APPROVED: RA
DATE: 8/5/2014	STANDARD DRAWING NO: 114

SANITATION DISTRICT NO. 1

SANITARY SEWER SPECIFICATONS

FOR

KENTON COUNTY

ITEM NO. 06-0419.00

BROMLEY-CRESCENT SPRINGS ROAD

SECTION 02606

SANITARY & STORM STRUCTURES

PART 1 – GENERAL

1.1 SUMMARY

- A. CONTRACTOR shall provide all labor, materials, equipment and incidentals as shown on the Design Drawings, specified herein and required to furnish and install all sanitary and storm structures including but not limited to precast and cast-in-place manholes, air release manholes, bypass pumping vaults, drainage structures, headwalls, outfalls, etc.

1.2 RELATED WORK

- Division 2, Sections on Earthwork
- Section 02607, Sanitary Sewer Lining System
- Section 03300, Cast-In-Place Concrete
- Section 05501, Miscellaneous Metal Fabrications
- Section 05536, Floor Access Hatch Covers
- Section 05540, Castings
- Division 15, Sections on Piping

1.3 REFERENCES

- A. KY Standard Specifications and Drawings: In this section, reference is made to the current Kentucky Transportation Cabinet (KYTC) Standard Specifications for Road and Bridge Construction and the KYTC Standard Drawings. In addition, construction requirements and material specifications not specifically covered in this section or in the referenced SD1 Technical Specifications shall conform to KYTC Standards. The ENGINEER or CONTRACTOR of a storm sewer project is responsible for obtaining a current edition of the KYTC Standard Specifications and the latest edition of the KYTC Standard Drawings when designing or performing work that either involves SD1 funding or is to be accepted by SD1.
- B. Reference Standards:
1. ASTM C 33, Standard Specification for Concrete Aggregate.
 2. ASTM C 76, Class III Reinforced Concrete Pipes.
 3. ASTM C 443, Specifications for Joints for Circular Concrete Sewer and Culvert Pipe, using Rubber Gaskets.
 4. ASTM C 478, Specification for Precast Reinforced Concrete Manhole Sections.
 5. ASTM C 579, Standard test method for compressive strength of chemical resistant mortars, grouts, monolithic surfacing and polymer concretes.

6. ASTM C 857, Standard Practice for Minimum Structural Design Loading for underground Precast Concrete Utility Structures.
7. ASTM C 891, Standard Practice for Installation of Underground Precast Concrete Utility Structures
8. ASTM C 913, Standard Specification for Precast Concrete Water and Wastewater Structures
9. ASTM C 923, Specification for Resilient Connectors Between Reinforced Concrete Manhole Structures, Pipes, and Laterals.
10. ASTM D 695, Standard Test Method for Compressive Properties of Rigid Plastics.
11. ASTM D 790, Standard Test Methods for Flexural Properties of Unreinforced and Reinforced Plastics and Electrical Insulating Materials.
12. ASTM C 990, Standard Specification for Joints for Concrete Pipe, Manholes, Precast Box Sections Using Preformed Flexible Joint Sealants.
13. ASTM C 1244, Standard Test Method for Concrete Sewer Manholes by the Negative Air Pressure (Vacuum) Test Prior to Backfill.
14. ASTM C 1478, Standard Specification for Storm Drain Resilient Connectors Between Reinforced Concrete Storm Sewer Structures, Pipes and Laterals
15. ASTM D 1737, Test Method for Elongation of Attached Organic Coatings with Cylindrical Mandrel Apparatus
16. ASTM D 2240, Standard Test Method for Rubber Property
17. ASTM D 412, Standard Test Methods for Vulcanized Rubber and Thermoplastic Elastomers Tension
18. ASTM D 4161, Standard Specification for Fiberglass (Glass-Fiber-Reinforced Thermosetting-Resin) Pipe Joints Using Flexible Elastomeric Seals.
19. ASTM D 6783, Standard Specification for Polymer Concrete Pipe.
20. ASTM F 477, Specification for Elastomeric Seals (gaskets) for Joining Plastic Pipe.
21. ASTM 4060, Test Method for Abrasion Resistance of Organic Coatings by the Taber Abraser
22. ASTM 4541, Standard Test Method for Pull Off Strength of Coatings using Portable Adhesion Testers
23. AWWA C 110, Ductile-Iron and Gray-Iron Fittings, 3 in. through 48 in., for Water and Other Liquids.
24. AWWA C 111, Rubber-Gasket Joints for Ductile-Iron Pressure Pipe and Fittings. AWWA C 115, Flanged Ductile-Iron Pipe with Threaded Flanges.
25. AWWA C 151, Ductile-Iron Pipe, Centrifugally Cast, for Water or Other Liquids.
26. AWWA C 302, Reinforced Concrete Pressure Pipe, Noncylinder Type, for Water and Other Liquids.

1.4 SUBMITTALS

- A. Shop Drawings: Submit for approval the following:
 1. Design Drawings showing design and construction details of all precast concrete and cast-in-place manholes including details of joints between the

manhole bases and riser sections and stubs or openings for the connection of sewers. Design Drawings shall show invert elevations of all pipe connections entering and leaving the manhole along with flowline slope across the base. Shop Drawings shall show the delta angles for all points of intersection, except where more than one line intersects at the same manhole. Where more than one line intersects, the angles relating all lines shall be shown. All angles shall be shown to the nearest second.

2. Manufacturer's name for all precast structures.
- B. For the following submit:
1. Manholes: Include plans, elevations, sections, details, and frames and covers.
 2. Drainage Structures: Include plans, elevations, sections, details, and frames, covers, and grates.
 3. Cast-in-place and Precast Structures: Include plans, elevations, reinforcing, concrete mix design, and structural calculations stamped by a Professional Engineer, registered in the State of Kentucky, competent in structural design.
 4. Pipe material and layout for prefabricated sections
 5. Any other items as requested by the ENGINEER or SD1.
- C. Comply with all the requirements of Section 01340.

PART 2 – STRUCTURES

2.1 GENERAL

- A. Concrete for all cast-in-place storm drainage structures (including channels and benches) shall conform to Section 03300 of the SD1 Technical Specifications including a minimum 28-day compressive strength of 4,000 psi.
- B. Grout shall consist of a mixture of water and cement or cement with fly ash, one part cement or cement with fly ash to two parts mortar sand as defined in Section 601.03.03B of the KYTC Standard Specifications, by volume.
- C. Non-shrink grout shall be an approved non-shrink, non-staining grout consisting of either a mixture of hydraulic cement, water, fine aggregate, and an approved nonferrous expansive admixture, or a packaged commercial product and shall meet the requirements of Section 601.03.03B of the KYTC Standard Specifications.
- D. Round precast structures shall conform to ASTM C 478. Square and rectangular precast structures shall meet the requirements of ASTM C 913. Structural calculations shall be provided for all precast structures as requested by SD1.
- E. Benching is required in the bottom of all structures (curb inlets, yard drains, standard inlets, manholes) per SD1 standard details. Cast-in-place benches shall be of 4,000 psi concrete. The invert channels shall be constructed as to cause the least possible

resistance to flow. The shapes of invert channels shall conform uniformly to inlet and outlet pipes. Smooth and uniform finishes will be required. Inverts may also be precast into the structure.

2.2 PRECAST CONCRETE MANHOLES, AIR RELEASE MANHOLES, AND BYPASS PUMPING VAULTS

A. General:

1. Precast manholes shall conform to the details shown on the Standard Details.
2. Concrete shall be minimum 4000 psi compressive strength.
3. Except where otherwise specified precast manhole components shall consist of reinforced concrete pipe sections especially designed for manhole construction and manufactured in accordance with ASTM C 478 except as modified herein.
 - a. Standard Manholes shall be six (6) feet or more in depth, measured from the base of the cover frame to the invert of the outlet and shall be concentric cone-type, top construction as shown on the Design Drawings.
 - b. Shallow Manholes shall be less than six (6) feet in depth, measured from the base of the cover frame to the invert of the outlet and shall be of flat-top construction as shown on the Design Drawings.
4. Precast, reinforced concrete manhole bases, riser sections, flat slabs and other components shall be manufactured by wet cast methods only, using forms which will provide smooth surfaces free from irregularities, honeycombing or other imperfections.
5. All precast manhole components shall be of approved design and of sufficient strength to withstand the loads imposed upon them. They shall be designed for a minimum earth cover loading of 130 pounds per cubic foot, an H-20 wheel loading, and an allowance of 30 percent in roadways and 15 percent in rights-of-way for impact.
6. Precast concrete manhole sections (including eccentric and concentric cones, risers and rings) shall conform to ASTM C 478 except sections deeper than 12 feet shall have reinforcing equal to that of ASTM C76 Class III reinforced concrete pipes, unless otherwise noted on the Design Drawings.
7. Lifting holes, if used in manhole components, shall be tapered, and no more than two shall be cast in each section. Tapered, solid rubber plugs shall be furnished to seal the lifting holes. The lifting holes shall be made to be sealed by plugs driven from the outside face of the section only. If lifting holes do not protrude completely through the wall, no sealing is required.
8. Mark date of manufacture, manhole number as shown on the Design Drawings, and name or trademark of manufacturer on outside of barrel.

B. Manholes downstream of force mains

1. Where a force main connects to a new or existing manhole, that manhole shall be lined with a corrosion resistant monolithic lining conforming to SD1's Technical Specifications. SD1 may also require existing manholes up to 4

manholes downstream of the new force main discharge be similarly lined on a case-by-case basis. The cover on the force main discharge manhole shall be a solid lid (not vented). SD1 may require that additional downstream vented manhole lids be replaced on a case-by-case basis.

2. Any existing manholes to be lined shall be inspected by the DESIGN ENGINEER and SD1 to determine the conditions of the manholes and confirm if the manholes are suitable for lining. If in the opinion of SD1, the existing manholes cannot be lined, then the manholes shall be replaced.

C. Manhole Bases Sections:

1. Precast concrete manhole base sections shall be "monolithic", consisting of base slab and base riser (barrel) section.
 - a. If floatation is found to occur based on the Design Engineer's review, the engineer shall specify thickness of precast base. Precast base sections shall be furnished with an integral anti-flotation footing, thickness as specified hereinafter, extending trench bank-to-bank as shown in the Standard Details (minimum 8" projection).
 - b. Precast concrete manhole base slab thickness shall comply with the following schedule:

0.0' – 15.0'	Vertical Height	- 8" Slab
15.1' – 20.0'	Vertical Height	- 10" Slab
20.1' – 25.0'	Vertical Height	- 12" Slab
25.1' – 30.0'	Vertical Height	- 14" Slab
 - c. Manholes over 30 feet shall be designed by a Professional Engineer registered in the State of Kentucky. Submittals shall be provided to SD1 for review & approval.
 - d. Manhole bases shall have two cages of reinforcing steel in their walls, each of the area equal to that required in the riser sections. Wall thickness shall not be less than 5 inches.
 - e. There should be a minimum of twelve (12") inches between the outside diameters of all pipe penetrations in the base section. The maximum inside diameter (or horizontal dimension) of pipe to be used with a given size manhole shall be as specified on SD1 standard detail.
 - f. Base riser shall extend a minimum twelve (12) inches above the top of the highest pipe in the base.
2. Flow channel (invert) and apron (bench) shall be poured separately at the point of manufacture to the dimensions shown on the Design Drawings.
 - a. The flow channel through manholes should be made to conform in shape and slope to that of the sewers.
 - b. Invert shall be smooth and semi-circular in cross-section of the same diameter of the pipe leaving the manhole.
 - c. Changes of direction of flow or sewer centerline within the manhole shall be made by forming the flow channel along a smooth curve with as long radius as the inside of the manhole will allow.
 - d. Bench shall slope toward invert at not less than one (1) inch per foot.
3. All precast base sections with pipe openings shall fulfill the connection

requirements identified hereinafter in Paragraph 2.6 herein.

D. Manhole Barrel Sections:

1. Manhole barrel sections shall have reinforcing steel in their walls, Wall thickness shall not be less than 5 inches.
2. The barrel of the manhole shall be constructed of various lengths of riser pipe manufactured in increments of one foot to provide the correct height with the fewest joints. Openings in the barrel of the manholes for sewers or drop connections will not be permitted closer than one foot from the nearest joint. Special manhole base or riser sections shall be furnished as necessary to meet this requirement.
3. The barrel sections shall be of the height required, but not less than one (1) foot in height. No opening shall be cut into a barrel section, the maximum dimension of which exceeds one-half (1/2) the section height.
4. Joints between manhole components shall be the tongue and groove. The circumferential and longitudinal steel reinforcement shall extend into the tongue and groove ends of the joint without breaking the continuity of the steel.
5. Precast manhole section joints shall be joined with one of the following products:
 - a. ASTM C 443, a single, continuous rubber O-ring gasket and shall conform to AWWA C302.
 - b. ASTM C-990, flexible butyl resin sealant such as Conseal CS-102, CS-202 as manufactured by Concrete Sealants, Inc.
 - c. Hamilton-Kent "Kent-Seal No. 2"
 - d. Press Seal Gasket "E-Z Stik"
 - e. Or Equal

E. Cone Sections and Top Slab:

1. A precast concentric cone or precast top slab shall be provided at the top of the manhole barrel to receive the cast iron frame and cover or floor access hatch cover as shown on the Design Drawings. Eccentric cones will be evaluated on a case by case basis or where directed by SD1
2. Cone sections and top slabs shall be designed for an H-20 wheel loading.
3. Cone sections for standard manholes shall have a minimum 8" thick upper walls and shall not exceed 3'-0" in height.
4. Concrete top slabs shall not be less than 8 inches thick.

F. Drop Manhole:

1. Drop Manholes shall conform to all provisions specified herein, with the additional requirements for the drop pipe as shown on the Design Drawings.
2. The drop pipe shall be of the same material and diameter as the inlet sewer pipe used.
3. Drop pipe shall be totally enclosed in concrete, formed, with a minimum covering dimension of six (6) inches.
4. No drop pipes shall be allowed inside of the manholes, unless otherwise

- approved by SD1.
5. Base shall be cast to support drop connection.

G. Acceptable Manufacturers

1. KOI
2. Hanson
3. or equal

2.3 MANHOLE RISERS

- A. Manhole risers (adjusting rings) 6” to 10” height shall be concrete.
- B. Manhole risers 2” to 5” height shall be high density polyethylene as manufactured by Ladtech, Inc or equal. Manholes that will be raised more than 10 inches will use 1-foot barrel section on inside of manhole.
- C. Or other method approved by SD1 on a case by case basis

2.4 PRECAST STORM CURB INLETS, STANDARD INLETS, CATCH BASINS & YARD DRAINS

- A. Precast storm drainage structures with knockout panels shall only be used for curb inlets (catch basins) and yard drains no greater than 6-ft in depth, unless load calculations are supplied. For pre-cast rectangular structures (other than those with knockout panels), at least 6 inches of wall (measured from the interior corner) is required on each side of the pipe beyond the precast opening for the pipe. This rule is not applicable for structures which have pipe installed in opposite walls or where one outlet reinforced concrete pipe is utilized. Less than 6 inches of wall may be approved by SD1 with the submittal of design calculations.
- B. Base and riser sections shall be custom-made with openings to meet indicated pipe alignment conditions. The minimum distance allowed between precast holes, measured from edge to edge in a standard inlet section shall be 6 inches.
- C. Joints between yard drains and standard inlet sections in the roadway or yard areas shall be sealed with one of the following:
 1. ASTM C 443, a single, continuous rubber O-ring gasket and shall conform to AWWA C302.
 2. ASTM C-990, flexible butyl resin sealant such as Conseal CS-102, CS-202 as manufactured by Concrete Sealants, Inc.
 3. Hamilton-Kent “Kent-Seal No. 2”
 4. Press Seal Gasket “E-Z Stik”.
 5. Or equal

- D. Joints between riser sections for curb inlets (catch basins) are not required to have gaskets or butyl sealant between sections. These joints can be stacked dry as long as there are no holes or gaps in the joints. All holes or gaps shall be filled with non-shrink grout.
- E. For precast structures with openings cast into the unit, the minimum vertical distance from the pipe openings to the top of the structure or segment wall shall be 12 inches. If this distance is less than 12 inches, then additional reinforcing steel shall be furnished for this section. All pipe openings shall not be in joints between two precast sections unless specifically approved by SD1. The top slab must be designed for HS-20 loading in paved areas only.
- F. All standard inlets shall conform to the appropriate Standard Drawings No. STM-08 through STM-11. All storm drains outside of the right-of-way shall be Standard Drawing No. STM-07, unless specifically approved otherwise by SD1. All curb inlets and catch basins shall conform to the appropriate Standard Drawings No. STM-01.1, STM-01.2, STM-04 and STM-12.

2.5 HEADWALLS AND OUTFALLS

- A. Headwalls and outfalls shall be constructed of either cast-in-place or precast reinforced concrete that conforms to KTC Standard Specifications for Road and Bridge Construction.
- B. Safety guards and railings: Safety guards and railings shall be provided along the top and sloped/winged sidewalls on all headwall inlet and outlet structures having a vertical drop of 4'-0" or greater. Such guards or railings shall be at least 42-inches in height measured vertically above the wall. Guards or railings shall not have an ornamental pattern that would provide a ladder effect. Vinyl coated chain link fencing and galvanized materials are an acceptable guard type.
- C. Grates: Grates shall be provided on inlet headwalls for all pipes.
- D. All headwalls and outfalls shall conform to the appropriate Standard Drawings, including but not limited to, No. STM-15, STM-16, STM-17.1, STM-18.1 and STM-19.

2.6 FLEXIBLE PIPE JOINT SEAL & CONNECTIONS

- A. For sanitary structures and manholes:
 - 1. A flexible pipe joint seal shall be provided in the connection of pipe to manholes and other miscellaneous structures. The rubber seal shall meet the requirements given in ASTM C 923. The seal shall be of a size specifically designed for the pipe size and material.
 - 2. All connecting elements of the seal shall be Type 304 stainless steel.

3. Flexible pipe joint seal shall allow for pipe alignment of up to fifteen (15) degrees deflection.
 4. Pipes entering manholes that do not have existing flows and have slopes greater than ten (10) percent may have fittings (22.5 or 11.25 degree bends) installed immediately outside the manhole. This is to be evaluated on a case by case basis by SD1 or ENGINEER.
 5. Acceptable Products:
 - a. Kor-N-Seal by NPC, Inc.
 - b. A-Lok by A-LOK Products, Inc.
 - c. Dura-Seal III by Dura-Tech
 - d. Or equal.
- B. For storm structures and manholes with flexible pipe joint seals:
1. CONTRACTOR may use flexible connections at storm manholes which shall be elastomeric gaskets or couplings, manufactured in accordance with ASTM C 1478, Standard Specification for Storm Drain Resilient Connectors between Reinforced Concrete Structures, Pipes, and Laterals.
 2. CONTRACTOR may use a concrete collar for opening around the pipe. The pipe shall be encased with minimum 6 inch collar of concrete from the inside face of the wall to 1'-0" outside the outer face of the wall. The pipe shall be adequately supported to prevent settling while the concrete encasement is curing. The inside faces of the structure walls shall be finished with a trowel. If a concrete collar is used, the collar shall be allowed to cure to 75% of its design strength before backfilling. The diameter of the opening shall be no more than 8 inches greater than the outside diameter of the pipe.
 3. For precast structures with knockout panels, all holes for pipes shall be via a controlled cut and shall not be cut into the structural members (i.e., top beams and corner columns) and non-shrink grout shall not be allowed to be placed around the pipes without prior approval from SD1 or its Engineer. The pipes shall be encased with a minimum 6 inch concrete collar all around the outside of pipe or a minimum of 3 inches beyond the hole knocked in the wall, whichever is greater. Also, the concrete encasement shall extend from the inside face of the wall to 1'- 0" outside the outer face of the wall. The collar shall be allowed to cure to 75% of its design strength before backfilling.

2.7 STORM LATERAL CONNECTIONS

- A. Roof downspouts, footing or foundation drains, and sump pumps shall discharge in accordance with the local governing subdivision regulations. All storm lateral connections (downspouts, footing or foundation drains, sump pumps, etc) to the storm sewer shall be prohibited unless explicitly reviewed and approved by SD1 due to uncommon circumstances (i.e. inadequate discharge distances from foundations, narrow side yards, etc.).

2.8 MANHOLE, CATCH BASIN & STRUCTURE STEPS

- A. Reinforced Polypropylene Manhole Steps: ½ inch Grade 60 steel reinforcing rod,

02606-9

Project Name

Issue Date: _____

ASTM A-615, encapsulated in copolymer polypropylene, ASTM D 2146-68 under Type II, Grade 16906.Steps shall be PS1-PF (Press Fit polypropylene plastic) as manufactured by MA Industries, or equal. Steps shall be epoxy grouted into specially sized holes cast into the manhole section. Holes shall be formed in the manhole section using an insert plug that is removed upon curing.

- B. No steps shall be aligned over the flow channel. Step spacing shall be 16” as shown the Standard Detail Drawing.
- C. Omit steps for structures that are less than 4-ft deep unless otherwise shown on the plans.

2.9 EXTERNAL SLEEVE FOR STRUCTURE (Sanitary Only)

- A. Provide external sleeve around all manhole joints as designated on the plans. Any manholes located within fifty (50) feet or less of a creek/ stream or within a floodplain shall have an external sleeve. External sleeve shall be a wraparound heat shrinkable sleeve that creates a barrier to water infiltration and protects support of the structure and frame from ground moisture prevents corrosion and freeze-thaw damage. The system shall be compatible with and bond to concrete, metal, and fiberglass using an adhesive type primer. The sleeve shall have the following physical properties:

Softening Point	212 degrees Fahrenheit	ASTM E-28
Lap Shear Strength	12 PSI	DIN 30 672
Tensile Strength	2900 PSI	ASTM D-638
Elongation	600%	ASTM D-638
Hardness	46 Shore D	ASTM D-2240
Abrasion Resistance	45 mg	ASTM D-1044
Peel Strength	9PLI	ASTM D-1000
Water Absorption	0.05%	ASTM D-570
Low Temperature	-40 degrees Fahrenheit	ASTM D-2671D
Minimum Width	12 inches	

- B. System shall accommodate ground movement and resists soil stress.
- C. Acceptable Products:
 1. WrapidSeal – Manhole Encapsulation System by Canusa –CPS.
 2. Link- Seal Riser- Wrap Heat Shrink System.
 3. Or Equal.

2.10 PVC STORM DRAINAGE STRUCTURES AND CATCH BASINS

- A. PVC storm drainage structures and catch basins shall be approved on a case-by-case basis by SD1.

PART 3 – EXECUTION

3.1 MANHOLE BASES

A. General

1. Manholes shall be installed at the locations shown on the Design Drawings.
2. The dimensions shall be as shown on the detail sheets and the depths shall be as indicated by either finished top elevation given or depth dimension given on the plans.
3. Perform Site work as per the requirements of Specifications Sections 02050, 02110, 02220, and 02222.
4. Excavation for manholes and other underground structures shall be of sufficient size to adequately accommodate installation and proper centering.
5. The bases shall be placed directly on an 8-inch to 12-inch deep pad (compacted thickness) of pipe bedding material as specified in section 02220, placed to proper elevation and leveled, unless a deeper excavation is required to remove any loose sandy soils or soft to medium stiff, clayey soils down to a soil stratum suitable for support of the manhole and base.
 - a. The excavated soils shall be replaced with an appropriate Structural Backfill material or with controlled, low-strength material (CLSM), lean concrete, or an extra thickness of manhole base concrete.
6. The excavation shall be kept free of water while the manhole is being constructed and manhole shall not be backfilled until inspected by the SD1.
7. CONTRACTOR will be required to compact bedding material around the entire circumference of the manhole and manhole excavation area to at least 12-inches above the highest incoming or outgoing pipe.
8. Compacted backfill as specified on the Design Drawings or section 02220 shall then be placed above the compacted bedding material up to finished grade.

B. Pre-Cast Bases

1. The SD1 reserves the right to inspect precast manhole base sections at the construction site and to reject the use of such sections if the SD1 determines the products unsuitable for the SD1'S installation.
2. Doghouse manholes shall not be permitted unless written approval by SD1 or SD1 representative.

C. Cast-in-Place Bases

1. Cast-in-Place Bases shall be used when installing a doghouse manhole over an existing sewer or as approved by the ENGINEER.
 - a. Cast-in-place bases shall be placed on suitable foundations after the pipes are laid as specified in 3.1.A.5.
2. The base shall be cast monolithically to an elevation at least 12 inches above the top of the highest pipe entering the manhole, except where a drop connection is to be installed.
 - a. Base thickness shall be as per 2.1.B.1.

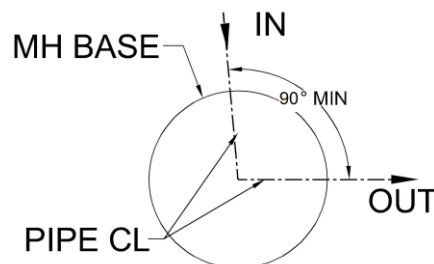
- b. Base, walls and bottom shall be at least of the thickness shown and reinforced to withstand the loads to be expected.
- c. Connections for sewer pipes shall conform to SD1's standard detail.
- d. The base of the bell or groove end at joints between components shall be buttered with 1:2 cement-sand mortar to provide a uniform bearing between components.
- e. All joints shall be sealed with cement mortar inside and out and troweled smooth to the contour of the wall surface.
- f. Raised or rough joint finishes will not be accepted.

3.2 PRECAST MANHOLE SECTIONS

- A. Set sections vertical with steps and sections in true alignment.
- B. Install sections, joints and gaskets in accordance with manufacturer's recommendations.

3.3 STRUCTURE CHANNELS

- A. All invert channels through structures shall be constructed of 4000 psi concrete.
- B. For precast bases, the flow line (channel) and benches shall be cast separately from the floor and side wall at the place of manufacture, unless otherwise approved by SD1.
- C. Channels shall be properly formed to the sizes, cross sections, grades and shapes shown or as ordered.
- D. Benches shall be built up to the heights shown or as ordered and given a uniform wood float finish.
- E. Care shall be taken to slope all benches for proper drainage to the invert channel.
- F. All flow channel angles between any new incoming pipe and new outgoing pipe shall be at least 90 degrees in the direction of flow as seen in the figure below. For any pipe with velocities exceeding 5 ft/s consult SD1 engineer for the required angle or for the need of an oversized manhole.



3.4 STORM CURB INLETS, STANDARD INLETS, CATCH BASINS, YARD DRAINS, HEADWALLS & OUTFALLS

- A. Inlets, catch basins, drains, junction structures, and other drainage structures shall be neatly and accurately built in accordance with the plans or SD1 Standard Drawings. The structure shall be either of cast-in-place concrete or precast concrete. Precast structure sections shall be installed in accordance with ASTM C 891.
- B. All cast-in-place structures shall be built using 4,000 psi concrete as described in Paragraph 2.1. The structures shall be built on prepared foundations and conform to the dimensions and shapes shown on the Plans and SD1 Standard Drawings. The construction shall conform to the methods, forms, placement, protection, and curing for concrete as specified in accordance with KTC and SD1 Standards. Any required reinforcement shall conform to the Plans and SD1's Standard Drawings. Installed concrete reinforcing shall be inspected and approved by SD1 before any concrete is placed.
- C. Headwalls and outfalls shall be constructed of either cast-in-place or precast reinforced concrete in conformance with SD1's Standard Drawings and KTC Standard Specifications for Road and Bridge Construction. All headwalls and outfalls built into slopes shall be properly seated as to avoid disconnection from the adjoining pipe.

3.5 DOGHOUSE MANHOLES

- A. For joining new pipe to existing pipe, refer to Paragraph 3.1.B.2 of this section for requirements. Doghouse manholes shall only be used for connections to sewer mains with high flows, as determined by the ENGINEER. Doghouse manholes must be approved by SD1. For applications using doghouse manholes, refer to Paragraph 3.1.C of this section and SD1 Standard Detail No. SD-106 for requirements.

3.6 PIPE CONNECTIONS TO NEW STRUCTURES

- A. For connections to new structures:
 - 1. A flexible pipe-to-manhole joint connector shall be used for joining piping to manholes and other miscellaneous structures. The rubber seal shall meet the requirements given in ASTM C 923. The seal shall be of a size specifically designed for the pipe size and material and be as specified herein.
 - a. If a Kor-N-Seal joint seal or equal with a stainless steel tightening band is used, CONTRACTOR shall tighten the band to the proper torque as specified by the manufacturer.
 - b. If the slope of the incoming sewer exceeds 10% from the horizontal, a fitting may be used outside the manhole wall to facilitate a more perpendicular connection to the manhole wall. The use of this fitting is to be evaluated on a case by case basis by SD1.

2. All pipe connections to manholes shall match crowns. If matching crowns is not possible, a drop manhole may be approved by SD1.
3. All drop manholes shall be approved by SD1. Drop manholes may be acceptable under the following conditions:
 - a. If the slope of the influent sewer is greater than or equal to five (5) percent, SD1's drop connection detail 114 shall be followed. All other influent sewer slopes and drop connections will be evaluated on a case by case basis.
 - b. All other drop manhole requests shall be approved on a case by case basis including but not limited to pipe realignments, connections to existing manholes, etc.
 - c. If the total height of the drop is greater than sixteen (16) feet, a drop shaft assembly shall be specifically designed for the hydraulic conditions present by a licensed professional engineer in the Commonwealth of Kentucky for the hydraulic and shall be approved by SD1.
4. Slide manholes shall not be used, unless otherwise approved by SD1.

3.7 PIPE CONNECTIONS TO EXISTING STRUCTURES

- A. Perform by core drilling in accordance with Section 01045.
- B. The connection to the structure shall be in accordance with the materials specified herein.
- C. The flow channel and bench for the new connection shall be constructed onsite or the existing flow channel and bench modified to accept the new piping.
- D. New connections to existing structures need to be greater than ninety (90) degrees to the existing flow channel in the direction of the flow.
- E. Where new flows joining an existing eight (8) inch sewer that is flowing half pipe or greater, or the existing pipe is twelve (12) inches or greater, an oversized manhole shall be installed to allow a smooth, sweeping flow transition. Consult SD1 for required manhole diameter.
- F. For sanitary applications, perform all connections in accordance with Paragraphs 3.9 and 3.11 herein.

3.8 SANITARY SEWER STUBS FOR FUTURE CONNECTIONS

- A. Installation of stubs for future connections shall be evaluated on a case by case basis and approved by SD1. If stubs are approved, PVC, ductile iron, or fiberglass pipe stubs with approved watertight plugs shall be installed in manholes. SD1 requires that future connections to existing manholes be cored and the benching modified to accept the new connection. Where pipe stubs, sleeves or couplings for future

- connections are shown or ordered, CONTRACTOR shall provide all materials and work for their construction.
- B. If stubs are approved by SD1, stubs out of manholes shall be a two (2) to five (5) foot stick of pipe with sealed caps. When future connections are made to these manholes, the stubs shall be removed and a full stick of pipe shall be installed at the proper slope.
 - C. Where connections are made to existing manholes installed after May 15, 2000, the existing manhole shall be vacuum tested prior to the connection being made. If the manhole is vacuum tested prior to alterations and fails, it is the responsibility of SD1 to repair or replace the manhole. If the manhole passes the vacuum test prior to connection, but fails the vacuum test after the connection is made, then the CONTRACTOR shall repair or replace the manhole per SD1's direction and approval.

If the CONTRACTOR fails to vacuum test the manhole prior to any connections being made, and the manhole fails the vacuum test after the connection, the CONTRACTOR shall repair or replace the manhole per SD1's direction and approval.

- D. If the connection to an existing manhole is cored, the connection shall be booted and the existing manhole shall pass a vacuum test after all work is complete, if the existing manhole was installed after May 15, 2000.
- E. If the elevation or grade of an existing manhole is altered, the existing manhole shall pass a vacuum test after all work is complete, if the existing manhole was installed after May 15, 2000.

3.9 GRADING AT MANHOLES & STRUCTURES

- A. Manholes shall be installed to conform to the following convention unless otherwise called for on the plans. The ground surface shall be graded to drain away from the manhole. Final dimensions shall be determined after grading has taken place.
 - 1. Manholes in roads, parking lots, paved areas and lawns shall be installed flush with the surrounding area.
 - 2. Manholes in wooded or other inaccessible areas shall be installed twelve (12) inches above the final grade.
 - 3. Confirm with land owner prior to installation of manholes in cultivated fields, hay fields and pastures. If land owner agrees manhole shall be installed with the cone section flush with the final grade. After installation of the casting, a slope fill 1:5 (1 vertical to 5 horizontal) shall be installed to provide surface drainage away from the manhole.
- B. Manholes in paved areas shall be constructed to meet the final surface grade. In paved areas on State Highways, all manholes shall be 1/2 inch below final wearing surfaces.

Manholes shall not project above finished roadway pavements to prevent damage from snowplows.

- C. CONTRACTOR shall be solely responsible for the proper height of all manholes necessary to reach the final grade at all locations. CONTRACTOR is cautioned that ENGINEER'S review of Shop drawings for manhole components will be general in nature and CONTRACTOR shall provide an adequate supply of random length precast manhole riser sections to adjust any manhole to meet field conditions for final grading.

3.10 MANHOLE WATERTIGHTNESS (Sanitary Only)

- A. All manholes shall be free of visible leakage. Each manhole shall be tested for leaks and inspected. If the manhole fails a visual leakage inspection and/or vacuum testing, SD1 will consider the manhole defective and the Contractor shall provide the Engineer a plan for leak repairs for approval or replace the manhole and make any necessary reconnections to the new or existing pipelines at no additional cost to the SD1. No leak repairs shall be performed without the ENGINEER'S approval.
- B. Vacuum test manholes to ASTM C 1244. Testing to be witnessed by SD1. Manholes not subject to vacuum testing must be in writing from SD1. This specification shall govern the negative air pressure (vacuum) testing of sanitary sewer manholes and structures and shall be used as a method of determining acceptability by the SD1, in accepting maintenance of a sanitary sewer manhole or structure on behalf of the public. Other forms of testing of some manholes may be required, as deemed necessary by the SD1.
- C. Manholes shall be tested after installation with all connections in place along with the following completed prior to testing:
1. Lift holes, if any, shall be plugged with an approved, non-shrinkable grout prior to testing.
 2. Drop connections shall be installed prior to testing.
 3. The vacuum test shall include testing of the seal between the cast iron frame and the concrete cone, slab or grade rings.
 4. The manholes shall be backfilled and finished to design grade prior to test.
 5. Test pressure requirements of ASTM C-923 shall be met.
- D. Test Procedure:
1. Temporarily plug, with the plugs being braced to prevent the plugs or pipes from being drawn into the manhole, all pipes entering the manhole at least eight inches into the sewer pipe(s). The plug must be inflated at a location past the manhole/pipe gasket.
 2. The test head shall be placed inside the frame at the top of the manhole and inflated, in accordance with the manufacturer's recommendations.
 3. A vacuum of 10" of mercury shall be drawn on the manhole. Shut the valve on the vacuum line to the manhole and disconnect the vacuum line.

- 4. The pressure gauge shall be liquid filled, having a 3.5 inch diameter face with a reading from zero to thirty inches of mercury.
- 5. The manhole shall be considered to pass the vacuum test if it holds at least 9 inches of mercury for the following time durations:

Time (Minutes)	4' Diameter	5' Diameter	6' Diameter
20 Feet or Less	1	2	3
20.1 to 30 Feet	2	3	4

Note: Consult SD1 on manhole diameters larger then six (6) feet.- These test pressures exceed what is in ASTM C-1244

- 6. If a manhole fails the vacuum test, SD1 will consider the manhole defective and the CONTRACTOR shall provide the Engineer a plan for leak repairs for approval or shall replace the manhole and/ or defective components and make any necessary reconnections to the new or existing pipelines at no additional cost to the SD1. No repairs shall be made to the manhole unless approved by the ENGINEER.
- 7. All temporary plugs and braces shall be removed after each test.
- 8. Manholes will be accepted as having passed the vacuum test requirements if they meet the criteria stated above.

3.11 STRUCTURE ABANDONMENT

- A. Structure abandonment shall be per SD1 standard drawings and consist of removing structure frames, covers, grates, cone section of manholes, and similar items. All connecting pipes shall be bulk headed. The walls shall be lowered to 2 feet below final grade if in earth or to 12 inches below subgrade if in pavement. The remaining structure shall be filled with crushed stone or sand compacted to match all backfill requirements here-in or shall be filled with controlled density fill.

++ END OF SECTION ++

SECTION 02610
PIPE & FITTINGS

PART 1 – GENERAL

1.1 SUMMARY

- A. CONTRACTOR shall provide all labor, materials, equipment, incidentals, and services as shown, specified, and required for furnishing, installing, and testing all buried piping, fittings, and specials specified herein. Piping herein specified includes force main & gravity sewer for sanitary and storm applications. Remove and replace all existing piping that interferes with installation of new pipe or structures or that is damaged by new installations in a manner approved by the ENGINEER.
- B. The work includes, but is not limited to, the following:
1. Piping beneath structures.
 2. Supports and restraints.
 3. Pipe encasements.
 4. Work on or affecting existing piping.
 5. Testing.
 6. Cleaning and disinfecting.
 7. Installation of all jointing and gasketing materials, specials, flexible couplings, mechanical couplings, harnessed and flanged adapters, sleeves, tie rods, and all other work required to complete the buried piping installation.
 8. Incorporation of valves, meters and special items shown or specified into the piping systems as required.
 9. Unless otherwise specifically shown, specified, or included under other Sections, all buried piping work required, beginning at the outside face of structures or structure foundations and extending away from structure.
- C. Review installation procedures under other Sections and other contracts and coordinate with the work that is related to this Section.

1.2 RELATED WORK

1. Section 02110, Clearing and Grubbing
2. Section 02220, Excavation and Backfill
3. Section 02606, Sanitary & Storm Structures
4. Section 03300, Cast-In-Place Concrete
5. Section 09900, Painting
6. Division 15, Sections on Piping, Valves & Appurtenances
7. Section 15052, Exposed Piping Installation
8. Section 15100, Valves and Appurtenances
9. Section 15121, Wall Pipes, Floor Pipes and Pipe Sleeves
10. Section 15122, Piping Specialties
11. Section 15140, Pipe Hangers and Supports

02610-1

Project Name

Issue Date: _____

1.3 LIMITATIONS

- A. All existing piping as shown on the Design Drawings is based on the best information available, but SD1 and the ENGINEER makes no guarantees as to the accuracy of the locations or type of piping depicted. All new piping which ties into existing lines must be made compatible with that piping. So that piping conflicts may be avoided, CONTRACTOR shall open up his trench well ahead of the pipe laying operation to confirm exact locations and sizes of existing piping before installing any new piping. CONTRACTOR shall provide all fittings and adapters necessary to complete all connections to existing piping as approved by SD1.

1.4 QUALITY ASSURANCE

Requirements of Regulatory Agencies:

- A. Comply with requirements of UL, FM and other jurisdictional authorities, where applicable.
- B. Refer to the General and Supplementary Conditions regarding permit requirements for this Project.

1.5 REFERENCES

Comply with applicable provisions and recommendations of the following, except as otherwise shown or specified:

- A. AWWA C104, Standard for Cement-Mortar Lining for Ductile-Iron Pipe and Fittings for Water.
- B. AWWA C105, Polyethylene Encasement for Ductile-Iron Piping for Water and Other Liquids
- C. AWWA C110, Standard for Ductile-Iron and Gray-Iron Fittings, 3 In.-48 In. (76 mm-1,219 mm), for Water.
- D. AWWA C111, Rubber-Gasket Joints for Ductile-Iron Pressure Pipe and Fittings
- E. AWWA C115, Standard for Flanged Ductile-Iron Pipe with Ductile-Iron or Gray-Iron Threaded Flanges.
- F. AWWA C150, Standard for Thickness Design of Ductile-Iron Pipe.
- G. AWWA C151, Standard for Ductile-Iron Pipe, Centrifugally Cast, for Water.
- H. AWWA C600, Installation of Ductile-Iron Water Mains and Their Appurtenances.

- I. AWWA C606, Grooved and Shouldered Joints.
- J. AWWA C800, Underground Service Line Valves and Fittings.
- K. AWWA C900, Polyvinyl Chloride (PVC) Pressure Pipe, and Fabricated Fittings, 4 In.-12 In. (100 mm-300 mm), for Water Dist.
- L. AWWA M23, PVC—Design and Installation
- M. ASTM A 27, Standard Specification for Steel Castings, Carbon, for General Application.
- N. ASTM A 82, Standard Specification for Steel Wire, Plain for Concrete Reinforcement.
- O. ASTM A 185, Welded Steel Wire Fabric for Concrete Reinforcement.
- P. ASTM A 496, Deformed Steel Wire for Concrete Reinforcement.
- Q. ASTM A 497, Steel Welded Wire Fabric, Deformed for Concrete Reinforcement.
- R. ASTM A 1011, Steel, Sheet and Strip, Hot-Rolled, Carbon, Structural, High-Strength Low-Alloy, High-Strength Low-Alloy with Improved Formability, and Ultra-High Strength.
- S. ASTM A 615, Standard Specification for Deformed and Plain Billet Steel Bars for Concrete Reinforcement.
- T. ASTM C 14, Standard Specification for Concrete Sewer, Storm Drain and Culvert Pipe.
- U. ASTM C 76, Standard Specification for Reinforced Concrete Culvert, Storm Drain and Sewer Pipe.
- V. ASTM C 118, Concrete Pipe for Irrigation or Drainage.
- W. ASTM C 150, Standard Specification for Portland Cement
- X. ASTM C 361, Standard Specification for Reinforced Concrete Low-Head Pressure Pipe.
- Y. ASTM C 443, Standard Specification for Joints for Concrete Pipe and Manholes, Using Rubber Gaskets.

- Z. ASTM C 478, Standard Specification for Precast Reinforced Concrete Manhole Sections.
- AA. ASTM D 1238, Measuring Flow Rates of Thermoplastics by Extrusion Plastometer.
- BB. ASTM D 1598, Time-to-Failure of Plastic Pipe Under Constant Internal Pressure.
- CC. ASTM D 1599, Short Time Hydraulic Failure Pressure of Plastic Pipe, Tubing, and Fittings.
- DD. ASTM D 1784, Rigid Poly (Vinyl Chloride) (PVC) Compounds and Chlorinated Poly (Vinyl Chloride) (CPVC) Compounds.
- EE. ASTM D 1785, Standard Specification for Poly (Vinyl Chloride) (PVC) Plastic Pipe, Schedules 40, 80, and 120
- FF. ASTM D 2122, Determining Dimensions of Thermoplastic Pipe and Fittings
- GG. ASTM D 2412, Standard Test Method for Determination of External Loading Characteristics of Plastic Pipe by Parallel-Plate Loading.
- HH. ASTM D 2464, Threaded Poly (Vinyl Chloride) (PVC) Plastic Pipe Fittings, Schedule 80.
- II. ASTM D 2467, Standard Specification for Poly (Vinyl Chloride) (PVC) Plastic Pipe Fittings, Schedule 80.
- JJ. ASTM D 2564, Standard Specification for Solvent Cements for Poly (Vinyl Chloride) (PVC) Plastic Piping Systems.
- KK. ASTM D 2774, Practice for Underground Installation of Thermoplastic Pressure Piping.
- LL. ASTM D 3034, Bell and Spigot-Type Poly (Vinyl Chloride) (PVC) Plastic Pipe and Fittings.
- MM. ASTM D 3212, Standard Specification for Joints for Drain and Sewer Plastic Pipes Using Flexible Elastomeric Seals
- NN. ASTM D 3261, Butt Heat Fusion Polyethylene (PE) Plastic Fittings for Polyethylene (PE) Plastic Pipe and Tubing.
- OO. ASTM D 3262, Standard Specification for Fiberglass (Glass-Fiber-Reinforced Thermosetting-Resin) Sewer Pipe.

- PP. ASTM D 3350, Standard Specification for Polyethylene Plastics Pipe and Fittings Materials.
- QQ. ASTM D 3754, "Fiberglass" (Glass-Fiber-Reinforced-Thermosetting-Resin) Sewer and Industrial Pressure Pipe.
- RR. ASTM D 4161 Standard Specification for Fiberglass (Glass-Fiber-Reinforced Thermosetting-Resin) Pipe Joints Using Flexible Elastomeric Seals.
- SS. ASTM D 5685, "Fiberglass" (Glass-Fiber-Reinforced-Thermosetting-Resin) Pressure Pipe Fittings.
- TT. ASTM F 437, Threaded Chlorinated Poly (Vinyl Chloride) (CPVC) Plastic Pipe Fittings, Schedule 80.
- UU. ASTM F 439, Socket-Type Chlorinated Poly (Vinyl Chloride) (CPVC) Plastic Pipe Fittings, Schedule 80.
- VV. ASTM F 441, Chlorinated Poly (Vinyl Chloride) (CPVC) Plastic Pipe and Fittings.
- WW. ASTM F 493, Solvent Cements for Chlorinated Poly (Vinyl Chloride) (CPVC) Plastic Pipe and Fittings.
- XX. ASTM F 714, Polyethylene (PE) Plastic Pipe (SDR-PR) Based on Outside Diameter.
- YY. ASCE MOP No. 37, Design and Construction of Sanitary and Storm Sewers
- ZZ. ASTM C 507, Standard Specification for Reinforced Concrete Elliptical Culvert, Storm Drain and Sewer Pipe
- AAA. ASTM F 679, Standard Specification for Polyvinyl Chloride (PVC) Large-Diameter Plastic Gravity Sewer Pipe and Fittings
- BBB. ASTM F 794, Standard Specification for Polyvinyl Chloride (PVC) Profile Gravity Sewer Pipe and Fittings Based on Controlled Inside Diameter
- CCC. ASTM F 949, Standard Specification for Polyvinyl Chloride (PVC) Corrugated Sewer Pipe with Smooth Interior and Fittings
- DDD. ASTM F 477, Standard Specification for Elastomeric Seals (Gaskets) for Joining Plastic Pipe
- EEE. ASTM F 2306, Standard Specification for 12-60 inch Annular Corrugated Profile-Wall Polyethylene (PE) Pipe and Fittings for Gravity-Flow Storm Sewer and Subsurface Drainage Applications

FFF. ASTM D 2321, Standard Practice for Underground Installation of Thermoplastic Pipe for Sewers and Other Gravity-Flow Applications

1.6 SUBMITTALS

- A. In addition to the requirements of Section 01340, provide the following:
 - 1. Size, class and other details of pipe to be used.
 - 2. Full details of piping, specials, joints, harnessing, and connections to existing piping, structures, equipment and appurtenances.
- B. Tests: Submit description of proposed testing methods, procedures and apparatus. Prepare and submit report for each test.
- C. Certificates: Submit certificates of compliance with referenced standards.
- D. As requested by SD1, all pipe manufacturers that supply pipe for the project shall provide a detailed structural design taking in account the depth of burial, highway loads, bedding and backfill requirements, water elevation, soil conditions and installation procedures. All designs submitted shall have a Professional ENGINEER's stamp from Kentucky. Such design shall be received, reviewed, and approved prior to manufacture.
- E. As requested by SD1, pipe manufacturer for each pipe type used shall be present and instruct CONTRACTOR on proper installation technique per shop drawings and manufacturer's recommended procedures. As requested by SD1, pipe manufacturer's representative shall visit job site to monitor progress of pipe installation and shall notify in writing the CONTRACTOR and SD1 of any discrepancy, changes, or incorrect procedures that would prevent the pipe from performing as designed.
- F. Record Drawings: Submit record drawings in accordance with Section 01721.

PART 2 – PIPING & FITTINGS

2.1 MATERIALS

- A. Piping herein specified includes force main & gravity sewer. Refer to the pipe material schedule shown below to determine which pipe materials are acceptable for each application.

Type	Size	Depth	Acceptable Materials
Sanitary - Aerial	Any		Ductile Iron; PVC SDR 35 inside casing pipe
Sanitary - Gravity	Any	Less than 20'	PVC SDR 35; Fiberglass Polymer Mortar Pipe SN 46; Ductile Iron; HDPE; RCP, polypropylene (HDPP)
Sanitary - Gravity	Any	20.1' to 30'	PVC SDR 26; Ductile Iron; Fiberglass Polymer Mortar Pipe SN 72
Sanitary - Gravity	Any	30.1' or greater	Fiberglass Polymer Mortar Pipe; Ductile Iron
Sanitary - Horizontal Directional Drill	Any	Any	HDPE ; Ductile Iron; Restrained Joint PVC C-900
Sanitary - Force Main	Any	Any	HDPE; Ductile Iron; PVC C-900
Sanitary – Low Pressure Force Main	Smaller than 4"	Any	PVC SDR 21, PVC Schedule 40, HPDE
Sanitary – Low Pressure Force Main	4"and Larger	Any	PVC C900, HDPE, Ductile Iron
Storm – Gravity	Any	Less than 20'	RCP; CMP; Ductile Iron; PVC SDR 35; HDPE Corrugated; Polypropylene (HDPP), Fiberglass Polymer Mortar Pipe SN 72
Storm – Gravity	Any	20.1' or greater	RCP; CMP; Ductile Iron; PVC SDR 26; HDPE Corrugated; Polypropylene (HDPP), Fiberglass Polymer Mortar Pipe SN 72

Note: Pipe selected shall be designed for the cover and loading requirements to each project. Design calculations for pipe wall thickness and structural design shall be provided by the ENGINEER, as requested by SD1. Restrained joint calculations for force mains shall be provided for all projects. Depth is based on maximum cover to top of pipe between structures or manhole runs. Pipe shall be the same thickness between structures or manholes.

02610-7

Project Name _____

Issue Date: _____

- B. Refer to applicable Sections for material specifications.
- C. General:
 - 1. Marking Piping:
 - a. Cast or paint material, type and pressure designation on each piece of pipe or fitting 4 inches in diameter and larger.
 - b. Pipe and fittings smaller than 4 inches in diameter shall be clearly marked by manufacturer as to material, type and rating.

2.2 DUCTILE IRON PIPE AND FITTINGS

- A. Piping furnished hereunder shall be complete with all joint gaskets, bolts, and nuts required for installation of valves and equipment furnished by others for installation under this contract.
- B. Pipe Manufacturer's Experience and Field Services.
 - 1. All ductile iron pipe, fittings, and specials shall be fabricated, lined and coated by the pipe manufacturer. Minimum required experience shall include manufacture of a similar pipeline in length to this contract, of equal or larger diameter than the pipe to be provided with joints, lining, and coating suitable for the same or greater pressure rating specified herein, which has performed satisfactorily for the past 5 years.
 - 2. An experienced, competent, and authorized field service representative shall be provided by the pipe manufacturer to perform all pipe manufacturer's field services specified herein. The field service representative's minimum required experience qualifications shall include 5 years of practical knowledge and experience installing ductile iron pipe with joints, lining, and coating of the pipe to be provided.
 - 3. All ductile iron pipe shall be installed in accordance with the pipe manufacturer's recommendations. The pipe manufacturer's field service representative shall visit the site and inspect, check, instruct, guide, and direct CONTRACTOR's procedures for pipe handling and installation at the start of the pipe installation. The pipe manufacturer's field service representative shall coordinate his services with CONTRACTOR.
 - 4. Each joint, including all restrained joints, shall be checked by CONTRACTOR as instructed by the pipe manufacturer's field service representative to determine that the joint and the restraints are installed properly.
 - 5. As requested, the pipe manufacturer's field service representative shall furnish to SD1, through ENGINEER, a written report certifying that CONTRACTOR's installation personnel have been properly instructed and have demonstrated the proper pipe handling and installation procedures. The pipe manufacturer's field service representative shall also furnish to SD1, through ENGINEER, a written report of each site visit. The pipe manufacturer's field service representative shall revisit the site as often as

necessary until all trouble is corrected and the pipeline installation and operation are satisfactory in the opinion of the ENGINEER.

6. All costs for these services shall be included in the Contract Price.

C. Materials

1. Where ductile iron pipe is required, it shall conform to ANSI/AWWA C151/A21.51, Table 1 or Table 3. Pressure class 350 shall be used for all piping, unless otherwise shown on the drawings or specified. Fittings shall conform to ANSI/AWWA C110/A21.10, or ANSI/AWWA C153/A21.53, with a minimum working pressure rating of 350 psi. All fittings shall be suitable for a test pressure as specified herein without leakage or damage.
2. All buried pressure piping shall be push-on joint or mechanical joint. Restrained joint pipe shall be installed at the station locations shown on the Contract Drawings. All above ground piping or piping in vaults shall be flanged.
3. All gravity sewer piping shall be push-on joint or mechanical joint.
4. Push-on joints and mechanical joints shall be in accordance with ANSI/AWWA C111/A21.11.
5. As requested, restrained joint pipe shall be fabricated to the lengths required as determined by the laying schedule to be submitted as specified herein. If deviations from the approved laying schedule are required in the field as approved by SD1 and ENGINEER and field-cuts are required, CONTRACTOR shall provide restraint on the field-cut piping using, EBAA Iron "Megalug" restrained joints as specified below.
6. Field cuts shall be minimized and will be limited to only locations as necessary to install pipe, when no other alternative to using factory provided joint restraint exists.

D. Joints

1. Certification of joint design shall be provided in accordance with ANSI/AWWA C111/A21.11-90, Section 4.5, Performance Requirements, as modified herein.
2. The joint test pressure for each type of joint used on this project shall be 1-1/2 times the working pressure at the lowest elevation of the pipeline for a duration of two hours or as specified by the design engineer. The same certification and testing shall also be provided for restrained joints. For restrained joints, the piping shall not be blocked to prevent separation and the joint shall not leak or show evidence of failure.
3. It is not necessary that such tests be made on pipe manufactured specifically for this project. Certified reports covering tests made on other pipe of the same size and design as specified herein and on the drawings and manufactured from materials of equivalent type and quality may be accepted as adequate proof of design.
4. Nuts, bolts, and tie -rods used on buried pressure pipe and fittings shall be low alloy steel T- bolts with Zinc anode caps for all T-bolts and rods. The entire installation shall be wrapped in one layers of polyethylene encasement. Nuts,

bolts and stiffener plates which will be in contact with sewage shall be stainless steel Type 316.

E. Material Schedule

Push-on Joints and Mechanical Joints	ANSI/AWWA C111/A21.11
Restrained Push-on Joints Positive locking segments and/or rings (4 inch through 64 inch)	American “Flex-Ring”, or “Lok-Ring”; U.S. Pipe “TR Flex”; Clow Corp., “Super-Lock”, or equal
Restrained Push-on Joints, (field-cut spigot) locking wedge type	EBAA Iron “Megalug” Series 1700, or equal. Shall only be used in locations approved by the ENGINEER.
Restrained Mechanical Joints (Factory prepared spigot) (4 inch through 48 inch)	American “MJ coupled Joints”
Restrained Mechanical Joints (field cut spigot)	EBAA Iron “Megalug” Series 1100, without exception. Shall only be used in locations approved by the ENGINEER.
Fittings	ANSI/AWWA C110/A21.1, or ANSI/AWWA C153/A21.53, all with minimum working pressure of 350 psi, and suitable for the test pressure based on the project design without leakage or damage.
Flanged Joints & Fittings	Ductile Iron, ANSI/AWWA C115/A21.5 suitable for the test pressure based on the project design without leakage or damage. Faced and drilled, ANSI B16.1 125-pound flat face. Threaded conforming to AWWA C115/A21.15.
Bolting	125-pound flat-faced flange: ASTM A 307, Grade A carbon steel hex head bolts and ASTM A563 Grade A carbon steel hex head nuts
Gaskets	Restrained Push-on and Mechanical Joints: Synthetic rubber conforming to AWWA C111/A21.11. Natural rubber is not acceptable.

	<p>Flanged: 1/8 inch thick, red rubber (SBR), hardness 80 (Shore A), rated to 200 degrees F., conforming to ANSI B16.21, AWWA C207, and ASTM D1330, Grades 1 and 2. Full face for 125-pound flat-faced flanges, or specially designed gaskets with required properties per ANSI/AWWA C111/A21.11 to meet the test pressure rating. Blind flanges shall be gasketed covering the entire inside face with the gasket cemented to the blind flange.</p> <p>Gasket pressure rating to equal or exceed the system hydrostatic test pressure.</p>
Joint Lubricant	Manufacturer's standard
Tapping Sleeves	316 SS, with 316 SS body and bolting, and rubber sealing gasket, suitable for the test pressure specified herein. JCM Industries, Model JCM 452 or approved equal.
Polyethylene Encasement	Seamless, ANSI/AWWA C105/A21.5; LLD-8 mil or HDCL-4 mil

- F. Lining and Coating Ductile Iron Pipe and Fittings (For Sanitary Sewers Only)
1. All buried ductile iron pipe and fittings shall have manufacturers outside standard asphaltic coating and ceramic epoxy lining inside, factory applied. Ceramic epoxy lining shall be Protecto 401 as manufactured by Vulcan Painters, Inc. of Birmingham, AL, or NovoCoat SP-2000W as manufactured by NovoCoat Protective Coatings, of Addison, Texas, or equal, and as specified herein. Flange faces shall be coated externally with a suitable manufacturer's standard rust-preventative compound.
 2. Application of Lining:
The interior of the pipe exposed to liquids and gases shall be blasted and cleaned to remove all loose oxides and rust. After cleaning, the lining material shall be applied to yield 40 mils for the complete system using a centrifugal lance applicator. No lining shall take place over grease, oil, etc., that would be detrimental to the adhesion of the compound to the substrate. The compound shall not be applied when the substrate temperature is below 40 degrees F., or in adverse atmospheric conditions which will cause detrimental blistering, pinholing or porosity of the film.
 3. Lining material
The material shall be a two component epoxy with the following minimum Requirements:
 - a. A permeability rating of 0.0 perms when measured by ASTM E96-66, Procedure A. Duration of test - 6 weeks.

- b. A direct impact resistance of 125 inches-pounds with no cracking when measured by ASTM-D-2794.
 - c. The ability to build at least 50 mils dry in one coat.
 - d. The material shall be recoatable with itself for at least seven days with no additional surface preparation when exposed to direct summer sun and a temperature of 90 degrees F.
 - e. The material shall contain at least 20% by volume of ceramic quartz pigment.
 - f. A test and service history demonstrating the ability of the material to withstand the service expected.
 - g. Each requirement of 2.2.F.3 above must be certified by the material supplier.
 - 4. Field Cuts
 - a. All manufacturer's procedures and recommendations shall be followed when making field cuts. Note proper field preparations and curing time of the coating.
- G. All items used for jointing pipe shall be furnished with the pipe and tested before shipment. The joints shall be made with tools and lubricant in strict conformity with the manufacturer's instructions. If requested, three (3) copies of such instructions shall be delivered to the ENGINEER at start of construction.
- H. Encasement
 - 1. Polyethylene encasement shall be provided for all buried ductile iron pipe, including all straight pipe, bends, tees, wyes, adapters, closure pieces, field restraint devices, valves and other fittings or specials, in accordance with ANSI/AWWA C105/A21.5, Method A. Preparation of the pipe shall include, but not be limited to: removing lumps of clay, mud, cinders, etc., prior to installation.
 - 2. Where ductile iron pipe is also embedded or encased in concrete the polyethylene encasement shall be installed over the ductile iron pipe prior to concrete placement. Polyethylene encasement is only required in a casing pipe, if grouting of the annular space is required.
 - 3. The pipe shall be wrapped with 8-mil thickness polyethylene tube wrap, using the recommended minimum flat tube widths for the specified pipe sizes. The polyethylene tube wrap shall be of virgin polyethylene as produced from DuPont Alathan resin or equal.
 - 4. The polyethylene tube seams and overlaps shall be wrapped and held in place by means of 2-inch wide plastic backed adhesive tape. The tape shall be Polyken Number 900, Scotchrap Number 50, or equal. The tape shall be such that the adhesive shall bond securely to both metal surfaces and polyethylene film.
 - 5. The polyethylene film supplied shall be clearly marked at a minimum of 2-ft along its length, containing the following information:
 - a. Manufacturer's name or trademark
 - b. Year of Manufacture

- c. ANSI/AWWA C105/A21.5
- d. Minimum film thickness and material type (LLDPE or HDCLPE)
- e. Applicable range of nominal pipe diameter size(s)
- f. Warning--Corrosion Protection--Repair any Damage

2.3 POLYVINYL CHLORIDE (PVC) PIPE AND FITTINGS (GRAVITY LINES)

- A. Polyvinyl Chloride (PVC) and Chlorinated Polyvinyl Chloride (CPVC) Piping – Schedule Rated Pipe:
 - 1. Pipe and Fitting Material:
 - a. Standard: ASTM D 1784.
 - b. Type: Type I, Grade 1, rigid (12454-B).
 - 2. Pipe:
 - a. PVC:
 - 1) Standard: ASTM D 1785.
 - 2) Designation: PVC 1120.
 - b. CPVC:
 - 1) Standard: ASTM F 441.
 - 3. Joints:
 - a. General: Connect pipe by solvent cementing except where flanged or threaded fittings are required at expansion joints, valves, flow meters, equipment connections or otherwise shown or directed.
 - b. Flanged Joints:
 - 1) Use flanges joined to pipe by solvent cementing.
 - 2) Flange Drilling and Dimensions: Comply with ANSI B16.1.
 - 3) Flange Gaskets: Viton full face.
 - 4) Bolts, Nuts and Washers: Type 316 stainless steel.
 - 5) Provide washers on each face of the bolted connection.
 - c. Threaded Joints:
 - 1) Taper Pipe Threads: ANSI B2.1.
 - 2) Joint Preparation: Teflon tape.
 - 3) Use PVC dies for taper pipe threads.
 - d. Primer and Solvent Cement:
 - 1) Standard:
 - a) PVC: ASTM D 2564.
 - b) CPVC: ASTM F 493.
 - 4. Fittings:
 - a. Socket-Type:
 - 1) PVC:
 - a) Standard: ASTM D 2467.
 - b) Designation: PVC I.
 - 2) CPVC:
 - a) Standard: ASTM F 439.
 - b) Threaded Type:
 - i. PVC:
 - (a) Standard: ASTM D 2464.

- (b) Designation: PVC I.
 - ii. CPVC:
 - (a) Standard: ASTM F 437.
- B. Polyvinyl Chloride (PVC) Piping – Gravity Sewer Pipe and Fittings:
 - 1. Pipe and Fitting Material:
 - a. Standard: ASTM D 1784.
 - 2. Pipe and Fittings:
 - a. Standard:
 - 1) 4-inch through 15-inch diameter: ASTM D 3034.
 - 2) 18-inch through 27-inch diameter: ASTM F 679.
 - b. Thickness Class: As shown in item 1.1 this section.
 - 3. Joints:
 - a. Push On Joints: Connect pipe with integral wall bell and spigot joints. The bell shall consist of an integral wall section with a solid cross section rubber gasket, factory assembled, securely locked in place to prevent displacement during assembly. Joints shall be assembled in accordance with the pipe manufacturer's recommendations and ASTM D 3212.
 - b. Gaskets: Rubber gaskets shall be in compliance with ASTM F 477 and shall be suitable for the service specified.
- C. Profile Wall Polyvinyl Chloride (PVC) Piping (For Storm Sewers Only)
 - 1. PVC open or closed profile pipe meeting the requirements of ASTM F 794, Standard Specification for Polyvinyl Chloride (PVC) Profile Gravity Sewer Pipe and Fittings Based on Controlled Inside Diameter.
 - 2. Joints for PVC pipe shall be gasket, bell and spigot, push-on types which meet the requirements of ASTM D 3212, Standard Specification for Joints for Drain and Sewer Plastic Pipes Using Flexible Elastomeric Seals. Gaskets shall meet the requirements of ASTM F 477, Standard Specification for Elastomeric Seals (Gaskets) for Joining Plastic Pipe.
- D. Corrugated Polyvinyl Chloride (PVC) Piping (For Storm Sewers Only)
 - 1. Corrugated PVC pipe meeting the requirements of ASTM F 949, Latest Revision, "Polyvinyl Chloride (PVC) Corrugated Sewer Pipe with a Smooth Interior and Fittings".
 - 2. Joints for PVC pipe shall be gasket, bell and spigot, push-on types which meet the requirements of ASTM D 3212, Standard Specification for Joints for Drain and Sewer Plastic Pipes Using Flexible Elastomeric Seals. Gaskets shall meet the requirements of ASTM F 477, Standard Specification for Elastomeric Seals (Gaskets) for Joining Plastic Pipe.

2.4 POLYVINYL CHLORIDE (PVC) PIPE – C900 PIPING (FORCE MAINS)

- A. This pipe shall meet the requirements of AWWA C900-75 for Polyvinyl Chloride (PVC) Pressure Pipe. The pipe shall be PVC 1120 pipe with cast iron pipe equivalent ODs. See Table 1 below for pipe material depth and pressure limitations.
- B. Provisions must be made for expansion and contraction at each joint with a rubber ring. The bell shall consist of an integral wall section with a solid cross-section rubber ring which meets the laboratory performance of ASTM D3139. The bell section shall be designed to be at least as strong as the pipe wall.
- C. Standard laying lengths shall be 20 feet \pm for all sizes. At least 85 percent of the total footage of pipe of any class and size shall be furnished in standard lengths, the remaining 15% in random lengths. Random lengths shall not be less than 10 feet long. Each standard and random length of pipe shall be tested to four times the class pressure. The integral bell shall be tested with the pipe.
- D. Fittings for all lines 4 inches in diameter or larger shall be restrained ductile iron and in accordance with AWWA C153 and have a body thickness and radii of curvature conforming to ANSI A21.10 or ANSI A21.53 for compact fittings.
- E. Fittings for all lines less than 4 inches in diameter shall be PVC gasketed push on type or socket glue-type manufactured specifically for the pipe class being utilized. All socket-glue type connections shall be joined with PVC solvent cement conforming to ASTM D2564. Product and viscosity shall be as recommended by the pipe and fitting manufacturer to assure compatibility. Solvent cement joints shall be made up in accordance with the requirements of ASTM D2855.
- F. Appropriate restraint shall be provided for all fittings. Fittings shall be restrained with EBAA Iron Mega-Lugs, or equal. Pipe joints on either side of the fittings shall also be restrained to the distance required by the restrained joint calculations with the appropriate EBAA Iron Mega- Lug. The appropriate restraints are listed below:
 - 1. Series 2000SV & 2000PV: MEGALUG Restraint for existing C900 PVC Pipe at DIP
 - 2. Series 2800: MEGALUG Restraint Harness for C900
 - 3. Series 2200: MEGALUG Restraint for C900 at DIP Mechanical Joint fitting
- G. Pipe material depth and pressure limitations (Table 1)

(THIS SPACE INTENTIONALLY LEFT BLANK)

TABLE -1 Pipe Material Depth and Pressure Limitations

Pipe Material	Minimum Depth of Bury ^{1, 2}	Maximum Depth of Bury ^{1, 2}	Pressure Class / Rating	Maximum Surge Pressure Capacity
Pressure Class 350 – DIP	3 ft.	30 ft.	350 psi	450 psi
DR 25 – C900 PVC	3 ft.	10 ft.	165 psi. ³	264 psi ⁵
DR 18 – C900 PVC	3 ft.	20 ft.	235 psi. ³	376 psi ⁵
DR 14 – C900 PVC	3 ft.	30 ft.	305 psi. ³	488 psi ⁵

Table Notes:

1. Depth of bury limitations are provided as a general rule. At the discretion of SD1, greater depths may be allowed provided special pipe bedding is provided. Under some combinations of pipe material, soil type and bedding conditions, maximum acceptable depths may be reduced. For all applications where depth of bury is greater than or equal to thirty (30) feet, DIP shall be used.
2. Design ENGINEER shall consult appropriate references to ensure selected pipe material is suitable for each application. Such references may include the DIPRA *Design of Ductile Iron Pipe* brochure, *Uni-Bell Handbook of PVC Pipe Design and Construction*, PWEagle Technical Bulletins TB-D5 and TB-D8 (for PVC pipe), or Performance Pipe Bulletin PP 503 and PP 508 (for HDPE pipe) or other appropriate sources.
3. Total System Pressure (i.e. maximum working pressure plus any routine pressure surge) shall be less than the Pressure Class, as defined by AWWA C900-07 (values given in the above table are at 73.4°F). “Maximum working pressure” is the maximum steady-state, sustained operating pressure applied to the pipe exclusive of transient pressures.
4. Maximum working pressure shall be less than the Pressure Class, and Total System Pressure (i.e. maximum working pressure plus any routine pressure surge) shall be less than 1.5 times the Pressure Class, as defined by AWWA C906-07 (values given in the above table are at 73.4°F). “Maximum working pressure” is the maximum steady-state, sustained operating pressure applied to the pipe exclusive of transient pressures.
5. For C900 PVC pipe, maximum working pressure plus occasional or “emergency” surges shall not be greater than the Maximum Surge Pressure Capacity (1.6 times the Pressure Class of the pipe) as defined by AWWA C900(2007).

2.5 HIGH DENSITY POLYETHYLENE (HDPE) PIPE AND FITTINGS

A. Smooth Wall

1. Qualification of Manufacturers: Qualified manufacturers shall be firms regularly engaged in the manufacture of HDPE pipe and pipe fittings of the

- same size, type, and joint configuration specified, and whose products have been in satisfactory use for not less than five (5) years.
2. Heat Fusion Training/Certification: The CONTRACTOR shall ensure and certify that persons making heat fusion joints have received training in the manufacturer's recommended procedure not more than 12 months prior to commencing construction.
 - a. An experienced, competent, and authorized field service representative shall be provided by the pipe manufacturer to perform all pipe manufacturer's field services specified herein. The field service representative's minimum required experience qualifications shall include 5 years of practical knowledge and experience in making heat fusion joints and installing HDPE pipe.
 - b. All HDPE pipe shall be installed in accordance with the pipe manufacturer's recommendations. The pipe manufacturer's field service representative shall visit the site and inspect, check, instruct, guide, and direct CONTRACTOR's procedures for pipe handling and installation at the start of the pipe installation. The fusion pipe manufacturer's field service representative shall coordinate his services with CONTRACTOR.
 - c. Each joint shall be checked by CONTRACTOR as instructed by the pipe manufacturer's field service representative to determine that the pipe is properly fused.
 - d. As requested, the pipe manufacturer's field service representative shall furnish to SD1, through ENGINEER, a written report certifying that CONTRACTOR's installation personnel have been properly instructed and have demonstrated the proper pipe handling, fusion, and installation procedures. The pipe manufacturer's field service representative shall also furnish to SD1, through ENGINEER, a written report of each site visit. The pipe manufacturer's field service representative shall revisit the site as often as necessary until all trouble is corrected and the pipeline installation and operation are satisfactory in the opinion of the ENGINEER.
 - e. All costs for these services shall be included in the Contract Price.
 3. Interchangeability of Pipe and Fittings: Within Contract limits, pipe and fittings from different approved manufacturers shall not be interchanged.
 4. HDPE shall be manufactured in accordance with ASTM F 714, Polyethylene (PE) Plastic Pipe (SDR-PR) Based on Outside Diameter, and shall be so marked. Each production lot of pipe shall be tested for (from material or pipe) melt index, density, percent carbon, (from pipe) dimensions and ring tensile strength.
 5. Materials used for the manufacture of HDPE pipe and fittings shall be PE3408 HDPE, meeting cell classification 345434C or 345434E per ASTM D 3350 and meeting Type III, Class B or Class C, Category 5, Grade P34 per ASTM D 1248; and shall be listed in the name of the pipe and fitting manufacturer in Plastics Pipe Institute (PPI) TR-4, Recommended Hydrostatic Strengths and Design Stresses for Thermoplastic Pipe and Fittings Compounds, with a

standard grade rating of 1,600 psi at 73° F. The manufacturer shall certify that the materials used to manufacture pipe and fittings meet those requirements.

6. Fabricated fittings shall be made by heat fusion joining specially machined shapes cut from pipe, polyethylene sheet stock, or molded fittings. Fabricated fittings shall be rated for internal pressure service at least equal to the full service pressure rating of the mating pipe. Directional fittings 16-inch IPS and larger such as elbows, tee, etc., shall have a plain end inlet for butt fusion and flanged directional outlets.
7. Molded fittings shall be manufactured in accordance with ASTM D 3261, Butt Heat Fusion Polyethylene (PE) Plastic Fittings for Polyethylene (PE) Plastic Pipe and Tubing, and shall be so marked. Each production lot of molded fittings shall be subjected to the test required under ASTM D 3261.
8. Flange adapters shall be made with sufficient through-bore length to be clamped in a butt fusion joining machine without the use of a stub-end holder. The sealing surface of the flange adapter shall be machined with a series of small V-shaped grooves to provide gasketless sealing, or to restrain the gasket against blow-out.
9. Flange adapters shall be fitted with back-up rings pressure rated equal to or greater than the mating pipe. The back-up ring bore shall be chamfered or radiused to provide clearance to the flange adapter radius. Flange bolts and nuts shall be Grade 2 or higher.
10. Joints between HDPE pipes and between HDPE fittings and pipes shall be fusion bonded as described in Section 3.5.
11. The exterior of the HDPE pipe shall be color coded and striped in a way to identify the difference in pipe service, size and application.
12. HDPE pipe shall be black.
13. All piping used for horizontal directional drilling shall be permanently striped.
14. Internal 316 stainless steel stiffeners as manufactured by JCM Industries, Inc., or approved equal shall be used at all locations where external connectors or restraint clamps are installed. MJ adapters as manufactured by Central Plastics Company or equal, with creation of positive restraint to the pipe from heat fusion of the adapter to the pipe, and creation of positive restraint at the connection through bolting of the backup ring to the MJ valve or fitting, can be used in lieu of the JCM internal stainless steel stiffeners and external restraint clamps.
15. Except as noted in item 14 above, all mechanical connections shall be stiffened and restrained. Restraints shall be as manufactured by JCM Industries, Inc., or approved equal.
16. External restraint clamps utilized for transition from ductile iron pipe to polyethylene pipe shall be as manufactured by JCM Industries, Inc., or approved equal. Restraints must be compatible with stiffeners and pipe. JCM restraints shall not be used with HDPE pipe in locations where test pressures will exceed 150 psi. In locations where HDPE pipe will have test pressures exceeding 150 psi, provide an MJ adapter as described in item 14 above.

17. The Dimension Ratios (DR's) are shown on the table (Table 2) below:

Table 2 – Pipe Material Depth and Pressure Limitations

Pipe Material	Minimum Depth of Bury ^{1, 2}	Maximum Depth of Bury ^{1, 2}	Pressure Class / Rating	Maximum Surge Pressure Capacity
DR 17 – HDPE	3 ft.	10 ft.	100 psi ⁴	200 psi ⁶
DR 13.5 – HDPE	3 ft.	15 ft.	128 psi ⁴	256 psi ⁶
DR 11 – HDPE	3 ft.	20 ft.	160 psi ⁴	320 psi ⁶
DR 9 – HDPE	3 ft.	25 ft.	200 psi ⁴	400 psi ⁶
DR 7.3 – HDPE	3 ft.	25 ft.	254 psi ⁴	508 psi ⁶

Table Notes:

1. Depth of bury limitations are provided as a general rule. At the discretion of SD1, greater depths may be allowed provided special pipe bedding is provided. Under some combinations of pipe material, soil type and bedding conditions, maximum acceptable depths may be reduced. For all applications where depth of bury is greater than or equal to thirty (30) feet, DIP shall be used.
2. Design ENGINEER shall consult appropriate references to ensure selected pipe material is suitable for each application. Such references may include the DIPRA Design of Ductile Iron Pipe brochure, Uni-Bell Handbook of PVC Pipe Design and Construction, PWEagle Technical Bulletins TB-D5 and TB-D8 (for PVC pipe), or Performance Pipe Bulletin PP 503 and PP 508 (for HDPE pipe) or other appropriate sources.
3. Total System Pressure (i.e. maximum working pressure plus any routine pressure surge) shall be less than the Pressure Class, as defined by AWWA C900-07 (values given in the above table are at 73.4°F). “Maximum working pressure” is the maximum steady-state, sustained operating pressure applied to the pipe exclusive of transient pressures.
4. Maximum working pressure shall be less than the Pressure Class, and Total System Pressure (i.e. maximum working pressure plus any routine pressure surge) shall be less than 1.5 times the Pressure Class, as defined by AWWA C906-07 (values given in the above table are at 73.4°F). “Maximum working pressure” is the maximum steady-state, sustained operating pressure applied to the pipe exclusive of transient pressures.
5. For C906 HDPE pipe, maximum working pressure plus occasional or “emergency” surges shall not be greater than the Maximum Surge Pressure Capacity (2.0 times the Pressure Class of the pipe) as defined by AWWA C906(2007).
 - a. The DR's shall be verified by the Design ENGINEER and the manufacturer for the laying and pressure conditions shown on the drawings, including full consideration of vacuum, with calculations submitted to SD1 for review. NOTE: Manufacturers who do not

comply with this requirement will not be considered an equal. The CONTRACTOR shall be liable if the pipe fails or pulls apart. The minimum DR shown above shall be used unless a thicker wall DR is recommended by the manufacturer during his verification. For horizontal directional drilling (HDD), pipe installed at depths from 0'-15' deep shall have a minimum DR 9 rating or manufacturer's minimum recommended DR, whichever is more conservative. HDD pipe installed at depths greater than 15' shall also have a minimum DR 9 rating or manufacturer's minimum recommended DR, whichever is more conservative. **CONTRACTOR shall note that depending on the wall thickness of the pipe to be furnished, an increase in pipe size may be required to provide comparable internal diameter to ductile iron pipe.**

18. Mechanical joint ductile iron fittings for DIP sized HDPE pipe meeting all requirements of ANSI A211.11 (AWWA C111) may be used in lieu of HDPE pipe fittings. Restraints shall be Sur-Grip as manufactured by JCM Industries, Inc., or approved equal.
19. Nuts, bolts, and tie -rods used on buried pressure pipe and fittings shall be low alloy steel T- bolts with Zinc anode caps for all T-bolts and rods. The entire installation shall be wrapped in two layers of polyethylene encasement. Nuts, bolts and stiffener plates which will be in contact with sewage shall be stainless steel Type 316.
20. HDPE pipe shall have OD of ductile iron pipe.
21. HDPE pipe shall be as manufactured by CP Performance Pipe, or equal.

B. Corrugated HDPE (For Storm Sewer Only)

1. Corrugated polyethylene pipe with an integrally formed smooth interior shall meet the requirements of AASHTO M 294, Standard Specification for Corrugated Polyethylene Pipe, 12 to 36 inch diameter, for Type S pipe. SD1 will consider the use of large diameter HDPE on a case-by-case basis; approval shall be at SD1's discretion
2. HDPE pipe shall be joined using an inline bell (IB) & spigot joint or fitting meeting AASHTO M294 or ASTM F2306. The joint or fitting shall be soil-tight and gaskets shall meet the requirements of ASTM F477.

2.6 FIBERGLASS REINFORCED POLYMER MORTAR (FIBERGLASS) PIPE AND FITTINGS (GRAVITY LINES)

A. Fiberglass reinforced polymer mortar (fiberglass) pipe and fittings for gravity sewers shall conform to the requirements of ASTM D-3262, current approval, "Standard Specification for 'Fiberglass' (Glass-Fiber-Reinforced Thermosetting Resin) Sewer Pipe."

B. Materials

1. Resin Systems: The manufacturer shall use only polyester resin systems with a proven history of performance in this particular application. The historical

data shall have been acquired from a composite material of similar construction and composition as the proposed product.

2. Glass Reinforcements: Chopped glass reinforcement fibers used to manufacture the components shall be of highest quality commercial grade E-glass filaments with binder and sizing compatible with impregnating resins. Continuous circumferential glass reinforcement fibers, where utilized, shall be of grade ECR-glass with binder and sizing compatible with impregnating resins.
3. Silica Sand: Sand shall be a minimum of 98% silica with a maximum moisture content of 0.2%.
4. Additives: Resin additives, such as curing agents, pigments, dyes, fillers, thixotropic agents, etc., when used, shall not detrimentally affect the performance of the product.
5. Elastomeric Gaskets: Gaskets shall be supplied by qualified gasket manufacturers and be suitable for the service intended.

C. Manufacture and Construction

1. Pipes: Manufacture pipe by a process that will result in a dense, non-porous, corrosion-resistant, consistent composite structure.
2. Joints: Unless otherwise specified, the pipe shall be field connected with fiberglass couplings that utilize elastomeric EPDM or REKA sealing gaskets as the sole means to maintain joint watertightness. The joints shall meet the performance requirements of ASTM D4161. Additionally, the joints shall be rated to a pressure of 80% of -14.7 psi as installed. Joints at tie-ins, when needed may utilize fiberglass, gasket-sealed closure couplings.
3. Fittings: Flanges, elbows, reducers, tees, wyes, laterals and other fittings shall be capable of withstanding all operating conditions when installed. They must be made and delivered from Manufacturer. All fittings and couplings shall be pressure rated for a minimum of 50 psi.
4. End Coating: Protective spigot end resin coating shall be applied at the time of manufacture. CONTRACTOR shall similarly coat the ends of all field cut pipes if the wall of the pipe is completely de-aerated during the production process and glass and sand are not impregnated with 100% pure resin to form a wall that cannot be penetrated by water.
5. Fiberglass pipe shall be as manufactured by: Hobas Pipe USA, Inc., or approved equal.
6. For bury depths greater than 20 feet, CONTRACTOR shall comply with special trench construction requirements recommended by the manufacturer.

D. Dimensions:

1. Diameters: The actual outside diameter of the pipe barrel shall be in accordance with ASTM D3262. The internal diameters of all pipes shall be as specified on the Contract Drawings for each pipe diameter.
2. Lengths: Pipe shall be supplied in nominal lengths of 20 feet. Actual laying length shall be nominal +1, -4 inches. At least 90% of the total footage of

each size and class of pipe, excluding special order lengths, shall be furnished in nominal length sections.

3. Wall Thickness: The minimum wall thickness shall be the required design thickness for the laying conditions. Manufacturer shall provide information in writing to SD1 per the submittal requirements.
4. End Squareness: Pipe ends shall be square to the pipe axis with a maximum tolerance of 1/4".

E. Testing:

1. Pipes: Pipes shall be manufactured and tested in accordance with ASTM D3262.
2. Joints: Joints shall meet the requirements of ASTM D4161.
3. Stiffness: As tested in accordance with ASTM D2412. Any fiberglass pipe run that exceeds 20 feet, but less than 30 feet, in depth to invert anywhere along the run length from one manhole or structure to a second manhole or structure shall be a minimum stiffness of 72 psi for the entire run.

F. Customer Inspection

1. SD1 or other designated representative shall be entitled to inspect pipes at the factory or witness the pipe manufacturing.
2. Manufacturers Notification to Customer: Should SD1 request to see specific pipes during any phase of the manufacturing process, the manufacture must provide SD1 with adequate advance notice of when and where the production of those pipes will take place.

G. Packaging, Handling, and Shipping shall be done in accordance with the manufacturer's instructions.

2.7 REINFORCED CONCRETE PIPE (RCP)

- A. Circular reinforced concrete pipe shall meet the requirements of ASTM C 76, Standard Specification for Reinforced Concrete Culvert, Storm Drain and Storm Pipe. Elliptical reinforced concrete pipe shall meet the requirements of ASTM C 507, Standard Specification for Reinforced Concrete Elliptical Culvert, Storm Drain and Sewer Pipe.
- B. Rubber and plastic joints, or approved equal, shall be the jointing method for RCP and shall meet the requirements of AASHTO M 315 / ASTM C 443. Other methods of joining RCP will only be allowed upon explicit approval from SD1.
- C. When RCP is used under pavement or driveways, a minimum of Class III RCP shall be required or higher class as noted on drawings.

2.8 CORRUGATED METAL PIPE (CMP) (FOR STORM SEWERS ONLY)

- A. Corrugated steel pipe shall meet the requirements of AASHTO M36. Corrosion protection shall be provided through an aluminized coating conforming to AASHTO M274. Aluminum alloy spiral pipe shall meet the requirements of AASHTO M196. Coating materials shall be evaluated on a per project basis. Asphalt coatings shall not be permitted for corrugated metal pipe.
- B. Joints for CMP shall be made using coupling bands and gaskets meeting the requirements of AASHTO M 36 and AASHTO M 274.

2.9 HIGH-PERFORMANCE POLYPROPYLENE PIPE

- A. For sanitary sewer applications, high-performance polypropylene pipe shall meet the requirements of ASTM F2736 for 12"-30" pipe, and ASTM F2764 for 30"-60" pipe.
- B. For sanitary sewer applications, pipe shall be joined with an extended reinforced integral bell & double gasketed spigot to provide a watertight seal in accordance with ASTM D3212.
- C. For storm sewer application, high-performance polypropylene pipe shall meet the requirements of ASTM F2881 and AASHTO M330.
- D. For storm sewer application, pipe shall be joined with a extended reinforced integral bell & gasketed spigot in accordance with ASTM D32212.2.9

2.10 TRACER WIRE

- A. All pressure pipe shall have marking tape 6" wide. Marking tape for the manhole shall be green with the words "Sanitary Sewer" installed approximately twelve (12) inches above the pipe and shall continue for the length of the pipe installation.
- B. All pipe for sanitary force mains shall be installed with a twelve (12) gauge solid copper (PVC coated) tracing wire taped to the top of the pipe every five (5) feet. No tracing wire length shall exceed fifteen hundred (1500) feet between air release valves and/or discharge manhole, where system becomes gravity, without terminating in a curb stop box marked with "Sewer". Tracing wire must run continuously through air release valves and made accessible from ground level. Sanitary force mains that end in a discharge manhole, at which point system becomes gravity, shall terminate tracing wire in a curb stop box next to the discharge manhole. Curb stop boxes shall not be located in pavement areas. Splices in the tracing wire shall be kept to a minimum and approved by SD1. If splices are required, they shall be made with copper split bolt (Ilsc #1K-8 or approved equal) and taped with electrical tape. Tracer wire shall be tested to confirm it is functioning properly after installation.

2.11 PIPE COUPLINGS

- A. For new pipe installation, transition between two differing pipe materials must be done at manhole terminations, unless another method is approved by SD1. For connections to existing sewers of differing pipe material, Frenco “flexible couplings” or equal shall be used.
- B. For any other field cut connection, the pipe couplings shall be of a gasketed, sleeve-type with diameter to properly fit the pipe. Each coupling shall consist of one (1) stainless steel middle ring, of thickness and length specified, two (2) stainless steel followers, two (2) rubber-compounded wedge section gaskets and sufficient track-head steel bolts to properly compress the gaskets. The couplings shall be assembled on the job in a manner to insure permanently tight joints under all reasonable conditions of expansion, contraction, shifting and settlement, unavoidable variations in trench gradient, etc. The coupling shall be Dresser, Style 38, as manufactured by Dresser Manufacturing Division, Bradford, PA, or equal.

2.12 WYE BRANCH FITTINGS AND LATERALS FOR NEW CONSTRUCTION

- A. Tee or wye branch fittings shall be used for household or service connection lines to the sewer collector line. The fittings shall meet the requirements of the mainline pipe materials as specified herein. The wyes and tees shall be located as shown on the Contract Drawings or as directed by the ENGINEER. The wyes and tees shall be positioned as to require the least number of fittings per lateral connection. Regular wye connections shall be in accordance with Standard Drawing No. 120. Stack wye connections shall include vertical piping, elbows, wye, and concrete encasement in accordance with Standard Drawing No. 108. If a single sweep tee connection is used, the sweep must be in the direction of sanitary sewer main
- B. Inserta Tee pipe fittings are permitted as an alternate lateral tap connection in lieu of wye fittings when main pipe nominal diameter is greater than 12” or on a case by case basis for new construction. Inserta Tee type shall be compatible for the pipe type be tapped. Contractor shall be responsible for supplying the proper Tee. Install Inserta Tees using procedures and equipment as referenced in the manufacturer’s written installation instructions and in accordance with standard drawing 102.
- C. Lateral extensions shall be installed from the end of the regular or stack wye connection to the limit of easement or public right-of-way in accordance with Standard Drawing No. 120.

2.13 CONNECTIONS TO EXISTING SEWERS

- A. Connections to existing public sewers shall be made at the nearest wye or tee available on the public sewer. Connections to existing sewers where wyes or tees are not available shall be made by one of the following methods:

1. Install a wye or tee branch fitting per the manufacturer's recommendations or an approved method by SD1.
2. Inserta Tee Pipe Fittings: Install Inserta Tees using procedures and equipment as referenced in the manufacturer's written installation instructions and in accordance with standard drawings 102.
3. Tapping Saddles: Tapping saddles shall only be used with the explicit approval of SD1 on a case by case basis. If approved install per manufacturer's recommendations.

2.14 STORM LATERAL CONNECTIONS

- A. Roof downspouts, footing or foundation drains, and sump pumps shall discharge in accordance with the local governing subdivision regulations. All storm lateral connections (downspouts, footing or foundation drains, sump pumps, etc) to the storm sewer shall be prohibited unless explicitly reviewed and approved by SD1 due to uncommon circumstances (i.e. inadequate discharge distances from foundations, narrow side yards, etc).

PART 3 – EXECUTION

3.1 GENERAL

- A. Contractor shall refer to Section 02220 for all excavation, trench preparation, bedding and backfill requirements.
- B. After being delivered alongside the trench, the pipe, fittings, and specials shall be carefully examined for cracks, soundness, or damage, or other defects while suspended above the trench before installation. No piece of pipe or fitting which is known to be defective shall be laid or placed in the lines. If any defective pipe or fitting shall be discovered after the pipe is laid, it shall be removed and replaced with a satisfactory pipe or fitting without additional charge. Before each piece of pipe is lowered into the trench, it shall be thoroughly cleaned out. Each piece of pipe shall be lowered safely and separately in the trench. In case a length of pipe is cut to fit in a line, it shall be so cut as to leave a smooth end at right angles to the longitudinal axis of the pipe.
- C. The bell and spigot of the joint shall be thoroughly wire brushed and cleaned of dirt and foreign matter immediately prior to jointing. The contact surfaces shall be coated with the lubricant, primer or adhesive recommended by the manufacturer, and then the pipe shall be pushed together until the joint snaps distinctly in place. The pushing together of the pipe may be done by hand or by the use of a bar.
- D. Place pipe to the grades and alignment indicated, runs of pipe between manholes shall be within 95% of the slope shown on the plans unless otherwise directed by the

- ENGINEER. Remove and relay pipes that are not laid correctly. Slope piping uniformly between elevations shown.
- E. Trenches shall be kept dry during pipe laying. Before pipe laying is started, all water that may have collected in the trench shall be removed. Ensure that ground water level in trench is at least 12 inches below bottom of pipe before laying piping. Do not lay pipe in water. Maintain dry trench conditions until jointing and backfilling are complete and protect and keep clean water pipe interiors, fittings and valves.
 - F. All pipe shall be laid starting at the lowest point and proceed towards the higher elevations, unless otherwise approved by ENGINEER. Place bell and spigot pipe so that bells face the direction of laying, unless otherwise approved by ENGINEER.
 - G. When laying of the pipe is stopped, the end of the pipe shall be securely plugged or capped. Plugging shall prevent the entry of animals, liquids, or persons into the pipe or the entrance or insertion of deleterious material.
 - 1. Install standard plugs into all bells at dead ends, tees or crosses. Cap all spigot ends.
 - 2. Fully secure and block all plugs and caps installed for pressure testing to withstand the specified test pressure.
 - 3. Where plugging is required for phasing of the Work or for subsequent connection of piping, install watertight, permanent type plugs.
 - H. As required by SD1, pipe manufacturer for each pipe type used shall be present and instruct CONTRACTOR on proper installation technique per shop drawings and manufacturer's recommended procedures prior to the start of the Work.
 - I. Install piping as shown, specified and as recommended by the manufacturer. If there is a conflict between manufacturer's recommendations and the Drawings or Specifications, request instructions from SD1 before proceeding.
 - J. Deflections at joints shall not exceed 75 percent of the amount allowed by the pipe manufacturer.
 - K. Field cut pipe, where required, with a machine specially designed for cutting piping. Make cuts carefully, without damage to pipe or lining, and with a smooth end at right angles to the axis of pipe. Cut ends on push-on joint shall be tapered and sharp edges filed off smooth. Flame cutting will not be allowed.
 - L. Touch up protective coatings in a satisfactory manner prior to backfilling. See pipe material section for specific requirements.
 - M. Place concrete pipe containing elliptical reinforcement with the minor axis of the reinforcement in a vertical position.

- N. Laying Pipe and Service Laterals
1. Conform to manufacturer's instructions and requirements of the standards listed below, where applicable:
 - a. Ductile Iron Pipe: AWWA C600, AWWA C105.
 - b. Concrete Pipe: AWWA M9, Concrete Pipe Handbook.
 - c. Thermoplastic Pipe: ASTM D 2774.
 - d. ASCE Manual of Practice No. 37.

3.2 PIPE INSTALLATION – GENERAL

- A. Excavation for Pipeline Trenches: Refer to Section 02220. Trenches in which pipes are to be laid shall be excavated to the depths shown on the Drawings or as specified by the ENGINEER. Minimum cover for all pipelines shall be 36 inches minimum cover as measured from top of pipe, unless otherwise shown on the Drawings or approved by the ENGINEER. Trench excavations maybe inspected by ENGINEER prior to laying pipe. Notify SD1 48 hours in advance of all excavating, bedding and pipe laying operations.
- B. Jointing: The types of joints described herein shall be made in accordance with the manufacturer's recommendations.
- C. Separation of Sanitary Sewers and Potable Water Pipe Lines:
1. Horizontal Separation:
 - a. Wherever possible, existing and proposed potable water mains and service lines, and sanitary and storm sewers and service lines shall be separated horizontally by a clear distance of not less than 10 feet.
 - b. If local conditions preclude a clear horizontal separation of not less 10 feet, the installation will be permitted provided the potable water main is in a separate trench or on an undistributed earth shelf located on one side of the sewer and at an elevation so the bottom of the potable water main is at least 18 inches above the top of the sewer.
 - c. Exception:
 - 1) Where it is not possible to provide the minimum horizontal separation described above, the potable water main must be constructed of cement lined ductile iron slip-on or mechanical joint pipe complying with the public water supply design standards of the governing agency. Sewer must be constructed of epoxy lined ductile iron slip-on or mechanical joint pipe complying with SD1's requirements.
 2. Crossings:
 - a. Provide a minimum vertical distance of 18 inches between the outsides of pipes.
 - b. Center one full length section of potable water main over the sewer so that the sewer joints will be equidistant from the potable water main joints.

- c. Provide adequate structural support where a potable water main crosses under a sewer to maintain line and grade.
 - d. Exceptions:
 - 1) See requirements in paragraph 3.2.C.1.c.(1) above.
 - 2) Concrete encase as directed by SD1.
- D. Permanent slope anchors shall be installed on all pipe with slopes over twenty (20) percent. See the SD1's standard detail for Concrete Anchor Block. Consult with SD1 on spacing of the anchors.
- E. Reaction Anchorage (Pressure Pipe Only):
 - 1. All tees, Y-branches, bends deflecting 11-1/4 degrees or more, and plugs which are installed in buried piping shall be provided with proprietary restrained joint systems for preventing movement of the pipe and joints caused by the internal test pressure.
- F. Thrust Restraint
 - 1. Provide thrust restraint on pressure piping systems where shown and specified.
 - 2. Thrust restraint for DIP shall be accomplished by means of restrained pipe joints.
 - 3. Thrust restraints shall be designed for the axial thrust exerted by the system design pressures as specified by the Design ENGINEER.
- G. Dewatering and Ground Water
 - 1. Discharging of sediment laden groundwater or rainwater from excavations directly to watercourses or storm sewers is prohibited. Failure of the CONTRACTOR to comply with the requirements of this specification may result in SD1 issuing a stop work order or non-approval of pay estimates until the CONTRACTOR puts measures in place to comply with this specification. All costs associated with the stop work or non-approval of pay estimates shall be at the CONTRACTOR's sole expense.
 - 2. Pipe trenches and excavations for appurtenances shall be kept free from water during trench bottom preparation, pipe laying and jointing, pipe embedment and building of appurtenances in an adequate and acceptable manner.
 - 3. Where the trench or excavation bottom is mucky or otherwise unstable because of ground water, or where the ground water elevation is above the bottom of the trench or excavation, the ground water shall be lowered by means acceptable to the ENGINEER to the extent necessary to keep the trench or excavation free from water while the trench or excavation is in progress. The discharge of ground water from the trench or excavation area shall be by the methods specified below to natural drainage channels, gutters, drains, or storm sewers which will conduct the water away from the trench or excavation area. Means of diverting any surface water away from the trench or excavation area shall be taken and surface water prevented from entering the trench or excavation area.

4. Dewatering equipment shall be provided to remove and dispose of all surface water and groundwater entering excavations, trenches, or other parts of the work. Each excavation shall be kept dry during sub grade preparation and continually thereafter until the structure to be built, or the pipe to be installed therein, is completed to the extent that no damage from hydrostatic pressure, flotation, or other cause will result.
5. All excavations for concrete structures or trenches which extend down to or below groundwater shall be dewatered by lowering and keeping the groundwater level beneath such excavations a minimum of 6 inches or more below the bottom of the excavation.
6. Surface water shall be diverted or otherwise prevented from entering excavations or trenches to the greatest extent possible without causing damage to adjacent property.
7. Groundwater and rainwater removed during dewatering shall be discharged onto undisturbed ground where vegetative cover exists or through sediment and erosion controls and allowed to flow overland to filter out any sediments before discharging to any drain, storm sewer, or watercourse specified above. No such flows are permitted onto exposed soils, stream banks, or other areas subject to erosion.
8. Where overland flow on existing undisturbed ground is not sufficient to adequately remove all sediment from dewatering operations prior to discharge to any drain, storm sewer, or watercourse, or other erosion control measure acceptable to SD1 or ENGINEER shall be used to remove the sediment from the water prior to discharge. The method of discharging ground water or rain water from the trench or excavation area shall be such as to not create any erosion of existing ground.
9. All discharge locations shall be approved prior to construction by the ENGINEER and SD1.
10. CONTRACTOR shall take measures to prevent damage to properties, structures, sewers, and other utility installations and other work.
11. CONTRACTOR shall repair all damage, disruption, or interference resulting directly or indirectly from groundwater control system operations at no additional cost to SD1.
12. The CONTRACTOR shall maintain the components of the dewatering system and surface water erosion and sediment controls within the project site. Deficiencies identified during visual inspection by SD1, SD1's representatives, or the governing regulatory authority shall be remedied by the CONTRACTOR at no additional cost to SD1.
13. Dewatering system components shall be located where they will not interfere with construction activities adjacent to the work area.
14. The CONTRACTOR shall be responsible for the condition of any pipe or conduit which he may use for drainage purposes, and all such pipe or conduit shall be left clean and free of sediment.

H. Ground Water Barriers:

1. Where specified, continuity of bedding material shall be interrupted by low permeability groundwater barriers to impede passage of water through the bedding. Groundwater barriers for all pipelines shall be soil plugs of 3 feet in thickness, extending the full depth and width of the pipe bedding material in the trench, and spaced not more than 400 feet apart. The soil plugs shall be constructed from soil meeting ASTM D2487 classification GC, SC, CL, or ML, and compacted to 95 percent of maximum density at or near the optimum moisture content (ASTM D698).

I. Pipe Encasements:

1. Concrete Encasement

- a. Wherever pipe encasement is called for on the plans or ordered in by SD1, the CONTRACTOR shall construct the encasement as shown on the drawings or in accordance with SD1's standard drawings.
- b. Support the pipe sections on solid concrete blocks, being sure to keep the pipe sections on line and grade and then pour concrete, completely under each section, along each side and up to a point at least twelve (12) inches above the top of each section, making sure that all voids are filled. In lieu of blocks, the CONTRACTOR may use a bed of concrete, to initially support the pipe sections.
- c. The minimum dimension of concrete under the pipe sections shall be six (6) inches and on each side of the sections shall be twelve (12) inches. This encasement shall be reinforced around the top and sides of the pipe as shown on the Contract Drawings for creek crossings and other locations. If the trench walls are nearly vertical from the bottom of the trench up to a point to which the encasement is to be poured, forms for forming the encasement may be omitted and the concrete poured to and against the trench walls. Where trench walls are not nearly vertical, proper forms shall be set for forming the encasement, unless otherwise called for by SD1. The space between the trench walls and any formed encasement shall be filled and compacted with approved pipe bedding or backfilling material.
- d. Care shall be taken to assure that the pipe sections remain on line and grade during the placing of concrete and that the joints are not disturbed. Backfill shall not be placed for a minimum of six (6) hours after encasement is completed, unless otherwise approved by SD1.
- e. Exercise care to avoid flotation when installing pipe in cast-in-place concrete.

2. Casing Pipe

- a. Whenever casing pipe is called for on the plans, the CONTRACTOR shall install a casing pipe of the size and of the material called for on the plans by means of jacking, boring, or trenching.
- b. When the casing pipe is to be installed under a highway or railroad, and at other locations specifically designated on the Drawings, the

method of installation shall be jacking or boring as specified in Section 02400, unless trenching is specifically allowed.

- 1) For force mains inside casing pipe all pipe joints shall be restrained joint connections. Casing spacers shall be used to center the pipe in the casing. The annular space between the force main and casing pipe shall be completely filled with 500 psi or higher compressive strength grout.
 - 2) For gravity pipe inside casing pipe, casing spacers shall be used to center the pipe within the casing. The annular space does not have to be filled.
- c. Casing Spacers- Include in casing pipe. Centered/Restrained Casing spacers shall be installed to position the carrier pipe within the center of the casing pipe. The required spacing and installation shall be per the manufacturer's recommendation, except that for PVC carrier pipe, a minimum of 3 spacers shall be installed on each length of pipe with a maximum 6 feet spacing between spacers. All spacers shall be 316 stainless steel as manufactured by Cascade Waterworks MFG Co., Advance Products and Systems (APS) or other approved equal. Casing spacers shall also be provided with height field-adjustment capability for installation of gravity sewer on a constant slope.
 - d. Casing pipe end seals shall be installed at each end of the casing pipe and shall consist of a proper sized rubber seal and attached to the carrier and casing pipe with stainless steel bands per the manufacturers recommendation. Casing pipe end seals shall be manufactured by Cascade Waterworks MFG Co., Advanced Products and Systems (APS) or other approved equal.

J. Work Affecting Existing Piping

1. Location of Existing Piping:
 - a. Locations of existing piping shown should be considered approximate.
 - b. CONTRACTOR shall determine the true location of existing piping to which connections are to be made, and location of other facilities which could be disturbed during earthwork operations, or which may be affected by CONTRACTOR'S Work in any way.
 - c. Conform to applicable requirements of Division 1 pertaining to cutting and patching, and connections to existing facilities.
2. Taking Existing Pipelines Out of Service:
 - a. Do not take pipelines out of service unless specifically noted on the Drawings, or approved by SD1.
3. Work on Existing Pipelines:
 - a. Cut or tap pipes as shown or required with machines specifically designed for this work.
 - b. Install temporary plugs to prevent entry of mud, dirt, water and debris.
 - c. Provide all necessary adapters, fittings, pipe and appurtenances required to complete the Work.

- K. Install service laterals per SD1’s standard details and per the requirements specified in this specification,.
- L. Bedding and backfilling of pipeline trenches shall be in accordance with the requirements set forth in Section 02220 and as shown on SD1’s trench compaction detail.
- M. Before final acceptance, the CONTRACTOR will be required to level all trenches or to bring the trench up to grade. The CONTRACTOR shall also remove from roadways, rights-of-way and/or private property all excess earth or other materials resulting from construction.

3.3 DUCTILE IRON PIPE INSTALLATION REQUIREMENTS

A. Jointing Pipe:

1. Ductile Iron Mechanical Joint Pipe:

- a. Wipe clean the socket, plain end and adjacent areas immediately before making joint. Make certain that cut ends are tapered and sharp edges are filed off smooth.
- b. Lubricate the plain ends and gasket with soapy water or an approved pipe lubricant, in accordance with AWWA C111, just prior to slipping the gasket onto the plain end of the joint assembly.
- c. Place the gland on the plain end with the lip extension toward the plain end, followed by the gasket with the narrow edge of the gasket toward the plain end.
- d. Insert the pipe into the socket and press the gasket firmly and evenly into the gasket recess. Keep the joint straight during assembly.
- e. Push gland toward socket and center it around pipe with the gland lip against the gasket.
- f. Insert bolts and hand tighten nuts.
- g. Make deflection after joint assembly, if required, but prior to tightening bolts. Alternately tighten bolts 180 degrees apart to seat the gasket evenly. The bolt torque shall be as follows:

<u>Pipe Size</u> <u>(inches)</u>	<u>Bolt Size</u> <u>(inches)</u>	<u>Range of Torque</u> <u>(ft-lbs)</u>
3	5/8	45-60
4-24	3/4	75-90
30-36	1	100-120
42-48	1-1/4	120-150

2. Ductile Iron Push-On Joint Pipe:

- a. Prior to assembling the joints, the last 8 inches of the exterior surface of the spigot and the interior surface of the bell shall be thoroughly cleaned and all mud, debris, etc. removed and joint recesses wiped clean.

- b. Rubber gaskets shall be wiped clean and flexed until resilient. Refer to manufacturer's instructions for procedures to ensure gasket resiliency when assembling joints in cold weather.
- c. Insert gasket into joint recess and smooth out the entire circumference of the gasket to remove bulges and to prevent interference with the proper entry of the spigot of the entering pipe.
- d. Immediately prior to joint assembly, apply a thin film of approved lubricant to the surface of the gasket which will come in contact with the entering spigot end of pipe. CONTRACTOR may, at his option, apply a thin film of lubricant to the outside of the spigot of the entering pipe.
- e. For assembly, center spigot in the pipe bell and push pipe forward until it just makes contact with the rubber gasket. After gasket is compressed and before pipe is pushed or pulled all the way home, carefully check the gasket for proper position around the full circumference of the joint. Final assembly shall be made by forcing the spigot end of the entering pipe past the rubber gasket until it makes contact with the base of the bell. When more than a reasonable amount of force is required to assemble the joint, the spigot end of the pipe shall be removed to verify the proper positioning of the rubber gasket. Gaskets which have been scoured or otherwise damaged shall not be used.
- f. Maintain an adequate supply of gaskets and joint lubricant at the site at all times when pipe jointing operations are in progress.

3. Proprietary Joints:

- a. Pipe which utilizes proprietary joints such as Fastite, by American Cast Iron Pipe Company, Tyton by U.S. Pipe Incorporated, restrained joints, or other such joints shall be installed in strict accordance with the manufacturer's instructions.

B. Polyethylene Tube Wrap Installation

The polyethylene tube wrap shall be installed on ductile iron pipe in accordance with AWWA C105 and the following:

1. Pick up the pipe by a crane at the side of the trench using either a sling or pipe tongs, and raise the pipe about three feet off the ground. Slip a section of the polyethylene tubing over the spigot end of the pipe and bunch up, accordion fashion, between the end of the pipe and the sling. The tubing should be cut to a length approximately 4 feet longer than the length of the pipe.
2. Lower the pipe into the trench, seat the spigot end in the bell of the adjacent installed pipe and then lower the pipe to the trench bottom. A shallow bell hole shall be provided in the trench bottom to facilitate the wrapping of the joint.
3. Make up the pipe joint in the normal fashion.
4. Remove the sling from the center of the pipe and hook into the bell cavity and raise the bell end 3 or 4 inches to permit the polyethylene tubing to be slipped

along the full length of the barrel. Enough of the tubing should be left bunched up, accordion fashion, at each end of the pipe to overlap the adjoining pipe approximately 2 feet.

5. To make the overlap joint, pull the tubing over the bell of the pipe, fold around the adjacent spigot and wrap with approximately three (3) circumferential turns of the 2-inch wide plastic adhesive tape to seal the tubing to the pipe.
6. The tubing on the adjacent pipe shall then be pulled over the first wrap on the pipe bell and sealed in place behind the bell using approximately three circumferential turns of the 2-inch plastic adhesive tape.
7. The resulting wrap on the barrel of the pipe will be loose, and it should be pulled snugly around the barrel of the pipe and the excess material folded over at the top, and held in place by means of 6-inch strips of the 2-inch wide plastic adhesive tape at intervals of approximately 3 feet along the pipe barrel.
8. Fittings, valves, hydrants, etc., shall be hand wrapped, using polyethylene film that is held in place with the plastic adhesive tape.
 - a. Bends, reducers, and offsets can be wrapped with the polyethylene tubing in the same manner as pipe.
 - b. Valves can be wrapped by bringing the tube wrap on the adjacent pipe over the bells or flanges of the valve and sealing with a flat sheet of the polyethylene passed under the valve bottom and brought up around the body to the stem and fastened in place with the adhesive tape.
 - c. Hydrants can be wrapped with polyethylene tubing slipped over the hydrant to encase the hydrant from the lead-in valve to the ground level of the hydrant. To provide drainage of the hydrant, it is necessary to cut a small hole in the film and insert a short pipe nipple to drain the water to the soil outside the film wrap.
 - d. All fittings that require concrete backing should be completely wrapped prior to pouring the concrete backing block.

3.4 HDPE INSTALLATION REQUIREMENTS

A. Pipe Joining

1. Joints between plain end pipes and fittings shall be made by butt fusion, and joints between the main and saddle branch fittings shall be made using saddle fusion using only procedures that are recommended by the pipe and fittings manufacturer.
2. Butt fusion shall be performed between pipe ends, or pipe ends and fitting outlets, of like outside diameter and wall thickness (SDR or DR). Butt fusion jointing between like diameters, but unlike wall thickness, shall not be permitted. Transitions between unlike wall thicknesses shall be made with a transition nipple (a short length of the heavier wall pipe with one end machined to the lighter wall) or by mechanical means.
3. Heat-joining of HDPE pipe shall conform to applicable portions of AWWA C-906.

4. HDPE pipe and fittings shall be joined together or to other materials by means of flanged connections (flange adapters and back-up rings) or mechanical couplings designed for joining HDPE pipe or for joining HDPE pipe to another material. Mechanical couplings shall be fully pressure-rated and fully thrust restrained such that when installed in accordance with manufacturer's recommendations, a longitudinal load applied to the mechanical coupling will cause the pipe to yield before the mechanical coupling disjoins. External joint restraints shall be used in lieu of fully restrained mechanical couplings.

B. Installation

1. Installation shall be in accordance with ASTM D 2321, manufacturer's recommendations, and this specification. All necessary precautions shall be taken to ensure a safe working environment in accordance with all applicable safety codes and standards.
2. Mechanical joints and flange connections shall be installed in accordance with the manufacturer's recommended procedure. Flange faces shall be centered and aligned to each other before assembling and tightening bolts. In no case shall the flanged bolts be used to draw the flanges into alignment. Bolt threads shall be lubricated and flat washers shall be fitted under the flange nuts. Bolts shall be evenly tightened according to the tightening pattern and torque step recommendations of the manufacturer. At least one (1) hour after initial assembly, flange connections shall be re-tightened following the tightening pattern and torque step recommendations of the manufacturer. The final tightening torque shall be 100 ft.-lbs. or as recommended by the manufacturer.
3. Pipe shall be laid on grade and on a stable foundation in accordance with Section 02220.
4. When lifting with slings, only wide fabric choker slings shall be used to lift, move, or lower pipe and fittings. Wire rope or chain shall not be used.
5. CONTRACTOR shall be liable to correct any pipe installed off line or grade (whether by horizontal directional drilling or other means).

3.5 POLYVINYL CHLORIDE (PVC) GRAVITY PIPE INSTALLATION REQUIREMENTS

A. Push-on Joints

1. Bevel all field-cut pipe, remove all burrs and provide a reference mark the correct distance from the pipe end.
2. Clean the pipe end and the bell thoroughly before making the joint. Insert the O-ring gasket, making certain it is properly oriented. Lubricate the spigot well with an approved lubricant; do not lubricate the bell or O-ring. Insert the spigot end of the pipe carefully into the bell until the reference mark on the spigot is flush with the bell.

3.6 FIBERGLASS PIPE INSTALLATION REQUIREMENTS

- A. Pipe Handling: Use textile slings, other suitable materials or a forklift. Use of chains or cables is not permitted.
- B. Jointing:
 - 1. Clean ends of pipe and coupling components.
 - 2. Apply joint lubricant to pipe ends and elastomeric seals of coupling. Use only lubricants approved by the pipe manufacturer.
 - 3. Use suitable equipment and end protection to push or pull the pipes together.
 - 4. Do not exceed forces recommended by the manufacturer for coupling pipe.
 - 5. Join pipes in straight alignment then deflect to required angle. Do not allow the deflection angle to exceed the deflection permitted by the manufacturer.

3.7 SANITARY SEWER TESTING REQUIREMENTS

- A. General:
 - 1. Test all piping.
 - 2. All piping shall be tested prior to post-construction CCTV operations.
 - 3. Notify SD1 at least 48 hours in advance of testing.
 - 4. Conduct all tests in the presence of SD1.
 - 5. Remove or protect any pipeline-mounted devices which may be damaged by the test pressure.
 - 6. Provide all apparatus and services required for testing, including but not limited to, the following:
 - a. Test pumps, bypass pumps, hoses, calibrated gauges, meters, test containers, valves and fittings.
 - b. Temporary bulkheads, bracing, blocking and thrust restraints.
 - 7. Provide air if an air test is required and power if pumping is required.
 - 8. CONTRACTOR shall provide fluid required for testing.
- B. Force Mains Test Schedule:
 - 1. The required hydrostatic test pressures shall be as specified by the Design ENGINEER and approved by SD1.
 - 2. Unless otherwise specified, the required hydrostatic test pressures are at the lowest elevation of the pipeline.
- C. Pressure Test Procedure for Force Mains:
 - 1. Complete backfill and compaction of entire pipe before testing, unless otherwise required or approved by ENGINEER.
 - 2. Fill section to be tested slowly with water and expel all air. Install corporation cocks, if necessary, to remove all air.
 - 3. Apply specified test pressure for two hours and observe pressure gage. Check carefully for leaks while test pressure is being maintained.
 - 4. A successful test shall be defined as zero drop in the specified test pressure during the two hour testing period.

D. Displacement of Pipe

1. The sewer pipe sections may be checked by SD1 to determine if any displacement of the pipe sections from alignment and grade have occurred as each portion of the sewer is completed between manhole locations. When the test is required by SD1, it shall be as follows:
 - a. Flashing a light beam by means of a strong flashlight or reflecting sunlight through the portion of the sewer between manhole locations or by utilizing a laser beam.
 - b. When viewed from the opposite end of the portion of the sewer from the light location, the light beam should be full throughout the sections, but not less than two-thirds full under any circumstances. There shall be no "dips" in the grade of the pipe invert.
 - c. If the pipe sections show any misalignment, displacement or any other defects in the sections or joints, the CONTRACTOR shall remedy the defect to the satisfaction of SD1.
 - d. This test may be done after the pipe sections have been laid, the joints completed and the bedding completed to twelve (12) inches above the pipe sections, or after completion of the sewer and all backfilling has been undertaken or both.

E. Deflection of Pipe

1. A deflection test shall be performed on all gravity sanitary sewers using flexible pipe. The test shall be conducted after the final backfill has been in place at least thirty (30) days. No pipe shall exceed a deflection of five percent (5%). The deflection test is to be run by using a rigid mandrel, or equal means approved by SD1, and shall have a diameter equal to ninety-five percent (95%) of the inside diameter of the pipe, including the pipe manufacturer's tolerances. The test shall be performed without mechanical pulling devices. All tests must be witnessed and approved by a representative of SD1.

F. Air Test for Gravity Sewers 42" and Smaller

1. The CONTRACTOR shall test the tightness of the pipe sections, joints and appurtenances of all gravity sewers by means of the low pressure air test.
2. No tests shall be made until the backfill is consolidated over the pipe and all service lines in the section to be tested have been connected and plugged.
3. The low pressure air test shall be conducted in accordance with procedures outlined in UNIBELL Specification UNI B-6. If the section of sewer being tested is below the elevation of ground water in the trench, the test pressure shall be 0.5 psi for each foot of ground water above the invert of the pipe.
4. All tests must be witnessed and approved by a representative of SD1.
5. Any leaks determined from the air test shall be fixed by the CONTRACTOR using an SD1 approved method.
6. The minimum air test pressure for all gravity sewers shall be 4 psi.

- G. Individual Pipe Joint Testing for Gravity Sewers 48" and Greater.
1. The CONTRACTOR shall test each individual joint of the gravity sewers using the following procedure:
 - a. Center the joint tester over the joint. Using the manufacturers approved testing apparatus and other recommendations, Inflate the outer element filling the center of the joint tester cavity with water or air, dependent upon test used, until it flows evenly from the bleed off valve, which removes air from the outer cavity. The bleed off valve shall be located at the top of the joint tester assembly. Close the bleed –off valve and pressurize the cavity to 3.5 to 5.5 psig depending on groundwater back pressure. Allow pressure to stabilize for 10 to 15 seconds and turn off pressure source. If pressure holds or drops less than 1 psi for 1 minute the joint is acceptable. The pressure gage used shall read in one (1) psi increments.

3.8 STORM SEWER TESTING REQUIREMENTS

- A. Pipe shall be fully backfilled and compacted at least 30 days prior to testing.
- B. Deflection: Under normal circumstances, the CONTRACTOR shall test approximately 20% of all flexible storm sewer piping, as determined and at locations directed by SD1, by use of a calibrated mandrel or other device/method approved by SD1, to ensure that no pipe deflection has occurred greater than five (5) percent of the inside diameter of the pipe. If, however, SD1 determines additional deflection testing is required based on the condition of the system or other circumstances, SD1 reserves the right to require such testing at no additional cost to SD1. The CONTRACTOR shall test the entire length of the sewer installed from structure to structure. Any pipe section exhibiting greater than 5 percent deflection shall be repaired in a manner approved and acceptable to SD1 and retested, at no additional cost to SD1. If the pipe fails a second deflection test, the pipe shall be replaced and retested at no additional cost to SD1.
- C. Displacement: Storm sewer pipe sections may be checked by SD1 to determine if any displacement of the pipe sections from alignment and grade has occurred as each portion of the sewer is completed between structure locations. When the test is performed, it shall be as follows:
1. Flashing a light beam by means of a strong flashlight or reflecting sunlight through the portion of the sewer between structure locations or by utilizing a laser beam.
 2. When viewed from the opposite end of the portion of the sewer from the light location, the light beam should be full throughout the sections, but not less than two-thirds full under any circumstances. There shall be no "dips" in the grade of the pipe invert.
 3. If the pipe sections show any misalignment, displacement or any other defects in the sections or joints, the CONTRACTOR shall remedy the defect, at the CONTRACTOR'S sole cost, to the satisfaction of SD1.

3.9 REPAIR OF FAILED PIPE SECTIONS

- A. If a pipe section failed testing as outlined in Paragraphs 3.7 & 3.8 herein. Contractor shall repair the failed pipe sections as follows:
1. Contact SD1 24 hours prior to making any repairs to failed pipe sections. SD1 shall be present during the entire duration of time repairs are being made to failed sections of pipe.
 2. The CONTRACTOR shall remove and replace, at no extra cost to SD1 all sections of pipe which fail any of the tests specified in this section in accordance with the following procedures:
 - a. Excavate failed sections of pipe in accordance with Section 02220.
 - b. Cut out and/or remove failed sections and relay new pipe beginning at nearest joint.
 - c. Close pipe with pipe coupling per manufacturer's recommendation and approval of SD1.
 3. The CONTRACTOR shall provide all material, labor, and equipment necessary to remove and replace the failed pipe section.
 4. Retest the replaced sewer sections to meet the applicable requirements listed in Paragraphs 3.7 & 3.8 herein.

3.10 PIPE ABANDONMENT

- A. Pipe abandonment in non-paved roadway:
1. Pipe abandonment under non-paved roadways shall be as outlined in SD1 Standard Detail No. 107 (SD-107). Ends of pipe shall be filled with minimum of 1' of concrete.
- B. Pipe abandonment in paved roadway:
1. Pipe abandonment under paved roadways shall consist of completely filling the designated pipes with controlled density fill (CDF), grout or other approved materials. Appreciable deposits of debris shall be removed from other pipes prior to placement of CDF, grout or other approved materials. Pipes under roadways shall be filled completely
- C. On Pipe abandonment in for manholes that remain, re-work bench to eliminate invert.

3.11 CLEANING FOR SEWERS

- A. Cleaning:
1. Thoroughly clean all piping and flush in a manner approved by ENGINEER, prior to placing in service.

3.12 CLEAN-UP

- A. Upon completion of the installation of the piping and appurtenances, the CONTRACTOR shall remove all debris and surplus construction materials resulting from the work. The CONTRACTOR shall grade the ground along each side of pipe trenches in a uniform and neat manner leaving the construction area in a shape as near as possible to the original ground line. Refer to Section 02900, Landscaping, for restoration.

++ END OF SECTION ++



MATTHEW G. BEVIN
GOVERNOR

CHARLES G. SNAVELY
SECRETARY

ENERGY AND ENVIRONMENT CABINET
DEPARTMENT FOR ENVIRONMENTAL PROTECTION

ANTHONY R. HATTON
COMMISSIONER

300 SOWER BOULEVARD
FRANKFORT, KENTUCKY 40601

August 7, 2019

Judge Executive Kris Knochelmann
Kenton County Fiscal Court
303 Court Street
Covington, KY 41011

Re: Letter of Permission No.: WQCLOP2019-047-1
Bromley Crescent Springs Rd
AI No.: 162016; Activity ID: APE20190002
KYTC Item No.: 6-419.00
USACE ID No.: LRL-2019-00130
Unnamed Tributaries to Pleasant Run Creek
Kenton, Kentucky

Dear Judge Knochelmann:

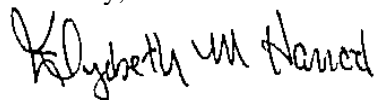
This letter transmits to you a copy of our General Water Quality Certification for the Letter of Permission Authorizing Transportation Projects for the Kentucky Transportation Cabinet – Bromley Crescent Springs Rd in Kenton County, Kentucky, in accordance with plans included in the “Application for Permit to Construct Across or Along a Stream and/or Water Quality Certification” received May 22, 2019 and construction plans received June 18, 2019, including permanent impacts to 119 linear feet of ephemeral stream, 108 linear feet of intermittent stream, and 520 linear feet of perennial stream and temporary impacts to 15 linear feet of intermittent stream and 10 linear feet of perennial stream. Compensatory mitigation will be accomplished through purchasing 936 stream AMUs through KDFWR Wetland and Stream Mitigation Program. A receipt of purchase must be submitted to the Kentucky 401 Water Quality Certification Section before construction begins.

An individual Water Quality Certification is not necessary for this activity provided that this project has satisfies the Transportation Letter of Permission from the U.S. Army Corps of Engineers (Letter of Permission for Transportation Projects, Corps ID No. LRL-2006-259, issued October 03, 2007 and revised October 28, 2010) and all conditions of the attached General Water Quality Certification - Letter of Permission Authorizing Transportation Projects are met.

Although an Individual WQC is not needed, other permits from the Division of Water may be required. If the project will disturb one acre or more of land, or is part of a larger common plan of development or sale that will ultimately disturb one acre or more of land, a Kentucky Pollution Discharge Elimination System (KPDES) stormwater permit shall be required from the Surface Water Permits Branch. This permit requires the development of a Stormwater Pollution Prevention Plan (SWPPP). The SWPPP must include erosion prevention and sediment control measures. Contact: Surface Water Permits Branch (SWPB) Support (502-564-3410 or SWPBsupport@ky.gov)

All future correspondence on this project must reference **AI No. 162016**. Please contact Samantha Vogeler by phone at 502-782-6995 or email at samantha.vogeler@ky.gov if you have any questions.

Sincerely,

A handwritten signature in black ink that reads "Elizabeth M Harrod". The signature is written in a cursive style.

Elizabeth Harrod, Supervisor
Water Quality Certification Section
Kentucky Division of Water

EH:SV

Attachment

cc: Adam Michels, KYTC: Frankfort (via email: Adam.Michels@ky.gov)
Dave Harmon, KYTC: Frankfort (via email: Dave.Harmon@ky.gov)
Kimberly Simpson, USACE: Louisville District (via email: Kimberly.J.Simpson@usace.army.mil)
Lee Andrews, USFWS: Frankfort (via email: kentuckyes@fws.gov)
Gina Morris, Third Rock Consultants (via email: gmorris@thirdrockconsultants.com)
Dale Booth, Licking River Basin Coordinator (via email: Dale.Booth@ky.gov)
Matthew Gross, Florence Regional Field Office (via email: Matthew.Gross@ky.gov)



Matthew G. Bevin
Governor

Charles G. Snaveley
Secretary

ENERGY AND ENVIRONMENTAL PROTECTION CABINET

DEPARTMENT FOR ENVIRONMENTAL PROTECTION

DIVISION OF WATER

200 FAIR OAKS LANE

FRANKFORT, KENTUCKY 40601

www.kentucky.gov

**General Certification -- Letter of Permission Authorizing Transportation
Projects (LRL-2006-259-pgj- Date: 28 Oct 2010)**

This general certification is issued February 26, 2016, by the Kentucky Division of Water, 401 Water Quality Certification Program in conformity with the requirements of Sections 301, 302, 304, 306 and 401, as amended (33 U.S.C. §1341), of the Clean Water Act, as well as Kentucky Statute KRS 224.16-050 and Kentucky Administrative Regulations Title 401, Chapter 9 and 10.

For this and all general permits, the definition of surface water is as per 401 KAR 10:001 Chapter 10, Section 1(80): Surface Waters mean those waters having well-defined banks and beds, either constantly or intermittently flowing; lakes and impounded waters; marshes and wetlands; and any subterranean waters flowing in well-defined channels and having a demonstrable hydrologic connection with the surface. Lagoons used for waste treatment and effluent ditches that are situated on property owned, leased, or under valid easement by a permitted discharger are not considered surface waters of the commonwealth.

In addition to all the restrictions and conditions of the U.S. Army Corps of Engineers, Louisville District Letter of Permission Issuance (LRL-2006-259-pgj) hereby incorporated into this general certification (included herein), the following 401 Water Quality Certification criteria applies to all transportation projects certified under a Certified Letter of Permission issued by the Kentucky Division of Water, 401 Water Quality Certification Program:

1. The activity will not qualify for this general certification if it is proposed to occur within surface waters of the Commonwealth identified by the Kentucky Division of Water as Outstanding State or National Resource Water, Cold Water Aquatic Habitat, or Exceptional Water.
2. The activity will not qualify for this general certification if it is proposed to occur within surface waters of the Commonwealth identified as perpetually-protected (e.g. deed restriction, conservation easement) stream and/or wetland mitigation sites permitted by the U.S. Army Corps of Engineers under Section 404 of the Clean Water Act.

Certification of Transportation Letter of Permission

Page 2

3. The Kentucky Division of Water may require an individual certification for any project if the project is likely to have adverse impacts to water quality or degrade the waters of the Commonwealth so that existing uses of the water body or downstream waters are precluded.
4. Activities qualifying for coverage under this General Water Quality Certification are subject to the following conditions:
 - The proposed relocation of an existing stream or channel will be designed and constructed to ensure the stability of the relocated stream or channel. Stream habitat enhancements, such as bioengineering methods and/or best management practices for protecting water quality will be considered, on a case-by-case basis, during the design process. Documentation must be provided if stream habitat enhancements will not be used for the proposed stream relocation.
 - Erosion and sedimentation pollution control plans and Best Management Practices must be designed, installed, and maintained in effective operating condition at all times during construction activities so that state water quality are maintained (401 KAR Chapter 10).
 - Sediment and erosion control measures, such as check-dams constructed of any material, silt fencing, hay bales, etc., shall not be placed within surface waters of the Commonwealth, either temporarily or permanently, without notifying the Kentucky Division of Water. If placement of sediment and erosion control measures in surface waters is unavoidable, design and placement of temporary erosion control measures shall not be conducted in such a manner that may result in instability of streams that are adjacent to, upstream, or downstream of the structures. All sediment and erosion control devices shall be removed and the natural grade restored within the completion timeline of the activities.
 - Measures shall be taken to prevent or control spills of fuels, lubricants, or other toxic materials used in construction from entering the watercourse.
 - Removal of riparian vegetation in the right-of-way shall be limited to that necessary.
 - To the maximum extent practicable, all in-stream work under this certification shall be performed under low-flow conditions.
 - Heavy equipment, e.g. bulldozers, backhoes, draglines, etc., if required for this project, should not be used or operated within the stream channel. In those instances in which such in-stream work is unavoidable, then it should be performed in low-flow or no-flow instances or in such a manner and duration as to minimize turbidity and disturbance to substrates and bank or riparian vegetation.

Certification of Transportation Letter of Permission

Page 3

- Fill shall not be of such composition that it will adversely affect the biological, chemical, or physical properties of the receiving waters and associated water quality standards. If rip-rap is utilized, it should be of such weight and size that bank stress or slump conditions will not be created because of its placement.
- If there are water supply intakes located downstream that may be affected by increased turbidity and suspended solids, the permittee shall notify the public supply system when such work will be done.
- Should evidence of stream and/or wetland pollution impairment and/or violations of water quality standards occur as a result of this activity (either from a spill or other forms of water pollution), the Environmental Response Team (ERT) shall be notified immediately by calling 1-800-928-2380 or 502-564-2380.

This general certification does not have an expiration date, however if the need for changes develop or if the U.S. Army Corps of Engineers, Louisville District makes modifications to the Letter of Permission (LRL-2006-259-pgj- Date: 28 Oct 2010) then a certification modification may be issued. Non-compliance with the conditions of this general certification or failure to maintain Kentucky state water quality standards may result in civil penalties.



MATTHEW G. BEVIN
GOVERNOR

CHARLES G. SNAVELY
SECRETARY

ENERGY AND ENVIRONMENT CABINET
Department for Environmental Protection

AARON B. KEATLEY
COMMISSIONER

300 SOWER BOULEVARD
FRANKFORT, KENTUCKY 40601

ATTENTION APPLICANT

If your project involves one or more of the following activities, you may need more than one permit from the Kentucky Division of Water.

- *building in a floodplain *road culvert in a stream**
- *streambank stabilization *stream cleanout**
- *utility line crossing a stream**
- *construction sites greater than 1 acre**

- **Construction sites greater than 1 acre will require the filing of a Notice of Intent to be covered under the KPDES General Stormwater Permit. This permit requires the creation of an erosion control plan.**

Contact: Surface Water Permits Branch (SWPB) Support at SWPBsupport@ky.gov

- **Projects that involve filling in the floodplain will require a floodplain construction permit from the Water Resources Branch.**

Contact: Ron Dutta at (502) 782-6941

- **Projects that involve work IN a stream, such as bank stabilization, road culverts, utility line crossings, and stream alteration will require a floodplain permit and a Water Quality Certification from the Division of Water.**

Contact: Elizabeth Harrod at (502) 782-6700

A complete listing of environmental programs administered by the Kentucky Department for Environmental Protection is available from Pete Goodmann by calling (502) 782-6956.

GENERAL CONDITIONS FOR WATER QUALITY CERTIFICATION

1. The Kentucky Division of Water may require submission of a formal application for an Individual Certification for any project if the project has been determined to likely have a significant adverse effect upon water quality or degrade the waters of the Commonwealth so that existing uses of the water body or downstream waters are precluded.
2. Nationwide permits issued by the U.S. Army Corps of Engineers for projects in Outstanding State Resource Waters, Cold Water Aquatic Habitats, and Exceptional Waters as defined by 401 KAR 10:026 shall require individual water quality certifications.
3. Projects requiring in-stream stormwater detention/retention basins shall require individual water quality certifications.
4. Erosion and sedimentation pollution control plans and Best Management Practices must be designed, installed, and maintained in effective operating condition at all times during construction activities so that violations of state water quality standards do not occur.
5. Sediment and erosion control measures (e.g., check-dams, silt fencing, or hay bales) shall not be placed within surface waters of the Commonwealth, either temporarily or permanently, without prior approval by the Kentucky Division of Water's Water Quality Certification Section. If placement of sediment and erosion control measures in surface waters is unavoidable, placement shall not be conducted in such a manner that may cause instability of streams that are adjacent to, upstream, or downstream of the structures. All sediment and erosion control measures shall be removed and the natural grade restored prior to withdrawal from the site.
6. Measures shall be taken to prevent or control spills of fuels, lubricants, or other toxic materials used in construction from entering the watercourse.
7. To the maximum extent practicable, all in-stream work under this certification shall be performed during low flow.
8. Heavy equipment (e.g. bulldozers, backhoes, draglines, etc.), if required for this project, should not be used or operated within the stream channel. In those instances where such in-stream work is unavoidable, then it shall be performed in such a manner and duration as to minimize re-suspension of sediments and disturbance to the channel, banks, or riparian vegetation.
9. If there are water supply intakes located downstream that may be affected by increased turbidity, the permittee shall notify the operator when work will be performed.
10. Removal of existing riparian vegetation should be restricted to the minimum necessary for project construction.
11. Should stream pollution, wetland impairment, and/or violations of water quality standards occur as a result of this activity (either from a spill or other forms of water pollution), the Kentucky Division of Water shall be notified immediately by calling 800/564-2380.

KYTC BMP Plan for Project 6 – 419.00



Kentucky Transportation Cabinet

Highway District 6 (1)

And

_____ (2), Construction

**Kentucky Pollutant Discharge Elimination System
Permit KYR10**

Best Management Practices (BMP) plan

Groundwater protection plan

For Highway Construction Activities

For

BROMLEY-CRESCENT SPRINGS ROAD

Project: 6 – 419.00

PCN

KYTC BMP Plan for Project 6 – 419.00

Project information

Note – (1) = Design (2) = Construction (3) = Contractor

1. Owner – KENTON COUNTY/Kentucky Transportation Cabinet, District
6 (1)
2. Resident Engineer: (2)
3. Contractor name: (2)
Address: (2)

Phone number: (2)
Contact: (2)
Contractors agent responsible for compliance with the KPDES
permit requirements (3):
4. Project Control Number (2)
5. Route (Address) (1) – KENTON COUNTY KY 2373
6. Latitude/Longitude (project mid-point) dd/mm/ss, dd/mm/ss (1) -
39/03/348, 84/34/13
7. County (Address) (1) – KENTON
8. Project start date (date work will begin): (2)
9. Projected completion date: (2)

KYTC BMP Plan for Project 6 – 419.00

A. Site description:

1. Nature of Construction Activity (from letting project description) (1) – Reconstruction of KY 2373 Bromley Crescent Springs Road and MUP between Anderson Road and Amsterdam Road
2. Order of major soil disturbing activities (2) and (3)
3. Projected volume of material to be moved (1) – 35,241 CU YD
4. Estimate of total project area (acres) (1) – 11.6
5. Estimate of area to be disturbed (acres) (1) – 11.6
6. Post construction runoff coefficient will be included in the project drainage folder. Persons needing information pertaining to the runoff coefficient will contact the resident engineer to request this information.(1)
7. Data describing existing soil condition (1) & (2)

The Geologic Map of Part of the Covington Quadrangle, Northern Kentucky (Luft 1971) that is published by the United States Geological Survey (USGS) (i.e., GQ-955) indicates that the project area is underlain by upper Ordovician-aged bedrock of the Fairview and Kope Formations. The USGS map indicates that the interface between the overlying Fairview Formation and the underlying Kope Formation is at approximately El. 700 in the project area. Additionally, it is recognized that this area of Kentucky has been modified by previous glacial advances resulting in an irregular bedrock surface and variable overburden origins.

8. Data describing existing discharge water quality (if any) (1) & (2)
9. Receiving water name (1) Unnamed Tributary to Pleasant Run Creek
10. TMDLs and Pollutants of Concern in Receiving Waters: (1 DEA)

B. Sediment and Erosion Control Measures:

1. Plans for highway construction projects will include erosion control sheets that depict Disturbed Drainage Areas (DDAs) and related information. These plan sheets will show the existing project conditions with areas delineated by DDA within the right of way limits, the discharge points and

KYTC BMP Plan for Project 6 – 419.00

the areas that drain to each discharge point. Project managers and designers will analyze the DDAs and identify Best Management Practices (BMPs) that are site specific. The balance of the BMPs for the project will be listed in the bid documents for selection and use by the contractor on the project with approval by the resident engineer.

Projects that do not have DDAs annotated on the erosion control sheets will employ the same concepts for development and managing BMP plans.

2. Following award of the contract, the contractor and resident engineer will annotate the erosion control sheets showing location and type of BMPs for each of the DDAs that will be disturbed at the outset of the project. This annotation will be accompanied by an order of work that reflects the order or sequence of major soil moving activities. The remaining DDAs are to be designated as “Do Not Disturb” until the contractor and resident engineer prepare the plan for BMPs to be employed. The initial BMP’s shall be for the first phase (generally Clearing and Grubbing) and shall be modified as needed as the project changes phases. The BMP Plan will be modified to reflect disturbance in additional DDA’s as the work progresses. All DDA’s will have adequate BMP’s in place before being disturbed.

3. As DDAs are prepared for construction, the following will be addressed for the project as a whole or for each DDA as appropriate:
 - Construction Access – This is the first land-disturbing activity. As soon as construction begins, bare areas will be stabilized with gravel and temporary mulch and/or vegetation.
 - At the beginning of the project, all DDAs for the project will be inspected for areas that are a source of storm water pollutants. Areas that are a source of pollutants will receive appropriate cover or BMPs to arrest the introduction of pollutants into storm water. Areas that have not been opened by the contractor will be inspected periodically (once per month) to determine if there is a need to employ BMPs to keep pollutants from entering storm water.
 - Clearing and Grubbing – The following BMP’s will be considered and used where appropriate.
 - Leaving areas undisturbed when possible.
 - Silt basins to provide silt volume for large areas.
 - Silt Traps Type A for small areas.
 - Silt Traps Type C in front of existing and drop inlets which are to be saved

KYTC BMP Plan for Project 6 – 419.00

- Diversion ditches to catch sheet runoff and carry it to basins or traps or to divert it around areas to be disturbed.
- Brush and/or other barriers to slow and/or divert runoff.
- Silt fences to catch sheet runoff on short slopes. For longer slopes, multiple rows of silt fence may be considered.
- Temporary Mulch for areas which are not feasible for the fore mentioned types of protections.
- Non-standard or innovative methods.
- Cut & Fill and placement of drainage structures - The BMP Plan will be modified to show additional BMP's such as:
 - Silt Traps Type B in ditches and/or drainways as they are completed
 - Silt Traps Type C in front of pipes after they are placed
 - Channel Lining
 - Erosion Control Blanket
 - Temporary mulch and/or seeding for areas where construction activities will be ceased for 21 days or more.
 - Non-standard or innovative methods
- Profile and X-Section in place – The BMP Plan will be modified to show elimination of BMP's which had to be removed and the addition of new BMP's as the roadway was shaped. Probably changes include:
 - Silt Trap Type A, Brush and/or other barriers, Temporary Mulch, and any other BMP which had to be removed for final grading to take place.
 - Additional Silt Traps Type B and Type C to be placed as final drainage patterns are put in place.
 - Additional Channel Lining and/or Erosion Control Blanket.
 - Temporary Mulch for areas where Permanent Seeding and Protection cannot be done within 21 days.
 - Special BMP's such as Karst Policy
- Finish Work (Paving, Seeding, Protect, etc.) – A final BMP Plan will result from modifications during this phase of construction. Probably changes include:
 - Removal of Silt Traps Type B from ditches and drainways if they are protected with other BMP's which are sufficient to control erosion, i.e. Erosion Control Blanket or Permanent Seeding and Protection on moderate grades.
 - Permanent Seeding and Protection
 - Placing Sod
 - Planting trees and/or shrubs where they are included in the project
- BMP's including Storm Water Management Devices such as velocity dissipation devices and Karst policy BMP's to be installed during construction to control the pollutants in storm water

KYTC BMP Plan for Project 6 – 419.00

discharges that will occur after construction has been completed are : (1) – None specified in plan set.

C. Other Control Measures

1. No solid materials, including building materials, shall be discharged to waters of the commonwealth, except as authorized by a Section 404 permit.
2. Waste Materials

All waste materials that may leach pollutants (paint and paint containers, caulk tubes, oil/grease containers, liquids of any kind, soluble materials, etc.) will be collected and stored in appropriate covered waste containers. Waste containers shall be removed from the project site on a sufficiently frequent basis as to not allow wastes to become a source of pollution. All personnel will be instructed regarding the correct procedure for waste disposal. Wastes will be disposed in accordance with appropriate regulations. Notices stating these practices will be posted in the office.

3. Hazardous Waste

All hazardous waste materials will be managed and disposed of in the manner specified by local or state regulation. The contractor shall notify the Resident Engineer if there any hazardous wastes being generated at the project site and how these wastes are being managed. Site personnel will be instructed with regard to proper storage and handling of hazardous wastes when required. The Transportation Cabinet will file for generator, registration when appropriate, with the Division of Waste Management and advise the contractor regarding waste management requirements.

4. Spill Prevention

The following material management practices will be used to reduce the risk of spills or other exposure of materials and substances to the weather and/or runoff.

➤ **Good Housekeeping:**

The following good housekeeping practices will be followed onsite during the construction project.

- An effort will be made to store only enough product required to do the job
- All materials stored onsite will be stored in a neat, orderly manner in their appropriate containers and, if possible, under a roof or other enclosure

KYTC BMP Plan for Project 6 – 419.00

- Products will be kept in their original containers with the original manufacturer's label
- Substances will not be mixed with one another unless recommended by the manufacturer
- Whenever possible, all of the product will be used up before disposing of the container
- Manufacturers' recommendations for proper use and disposal will be followed
- The site contractor will inspect daily to ensure proper use and disposal of materials onsite

➤ **Hazardous Products:**

These practices will be used to reduce the risks associated with any and all hazardous materials.

- Products will be kept in original containers unless they are not resealable
- Original labels and material safety data sheets (MSDS) will be reviewed and retained
- Contractor will follow procedures recommended by the manufacturer when handling hazardous materials
- If surplus product must be disposed of, manufacturers' or state/local recommended methods for proper disposal will be followed

The following product-specific practices will be followed onsite:

➤ **Petroleum Products:**

Vehicles and equipment that are fueled and maintained on site will be monitored for leaks, and receive regular preventative maintenance to reduce the chance of leakage. Petroleum products onsite will be stored in tightly sealed containers, which are clearly labeled and will be protected from exposure to weather.

The contractor shall prepare an Oil Pollution Spill Prevention Control and Countermeasure plan when the project that involves the storage of petroleum products in 55 gallon or larger containers with a total combined storage capacity of 1,320 gallons. This is a requirement of 40 CFR 112.

This project (will / will not) (3) have over 1,320 gallons of petroleum products with a total capacity, sum of all containers 55 gallon capacity and larger.

➤ **Fertilizers:**

Fertilizers will be applied at rates prescribed by the contract, standard specifications or as directed by the resident engineer. Once applied, fertilizer will

KYTC BMP Plan for Project 6 – 419.00

be covered with mulch or blankets or worked into the soil to limit exposure to storm water. Storage will be in a covered shed. The contents of any partially used bags of fertilizer will be transferred to a sealable plastic bin to avoid spills.

➤ **Paints:**

All containers will be tightly sealed and stored indoors or under roof when not being used. Excess paint or paint wash water will not be discharged to the drainage or storm sewer system but will be properly disposed of according to manufacturers' instructions or state and local regulations.

➤ **Concrete Truck Washout:**

Concrete truck mixers and chutes will not be washed on pavement, near storm drain inlets, or within 75 feet of any ditch, stream, wetland, lake, or sinkhole. Where possible, excess concrete and wash water will be discharged to areas prepared for pouring new concrete, flat areas to be paved that are away from ditches or drainage system features, or other locations that will not drain off site. Where this approach is not possible, a shallow earthen wash basin will be excavated away from ditches to receive the wash water

➤ **Spill Control Practices**

In addition to the good housekeeping and material management practices discussed in the previous sections of this plan, the following practices will be followed for spill prevention and cleanup:

- Manufacturers' recommended methods for spill cleanup will be clearly posted. All personnel will be made aware of procedures and the location of the information and cleanup supplies.
- Materials and equipment necessary for spill cleanup will be kept in the material storage area. Equipment and materials will include as appropriate, brooms, dust pans, mops, rags, gloves, oil absorbents, sand, sawdust, and plastic and metal trash containers.
- All spills will be cleaned up immediately after discovery.
- The spill area will be kept well ventilated and personnel will wear appropriate protective clothing to prevent injury from contact with a hazardous substance.
- Spills of toxic or hazardous material will be reported to the appropriate state/local agency as required by KRS 224 and applicable federal law.
- The spill prevention plan will be adjusted as needed to prevent spills from reoccurring and improve spill response and cleanup.
- Spills of products will be cleaned up promptly. Wastes from spill clean up will be disposed in accordance with appropriate regulations.

KYTC BMP Plan for Project 6 – 419.00

D. Other State and Local Plans

This BMP plan shall include any requirements specified in sediment and erosion control plans, storm water management plans or permits that have been approved by other state or local officials. Upon submittal of the NOI, other requirements for surface water protection are incorporated by reference into and are enforceable under this permit (even if they are not specifically included in this BMP plan). This provision does not apply to master or comprehensive plans, non-enforceable guidelines or technical guidance documents that are not identified in a specific plan or permit issued for the construction site by state or local officials. (1) – None specified in plan set.

E. Maintenance

1. The BMP plan shall include a clear description of the maintenance procedures necessary to keep the control measures in good and effective operating condition.
 - Maintenance of BMPs during construction shall be a result of weekly and post rain event inspections with action being taken by the contractor to correct deficiencies.
 - Post Construction maintenance will be a function of normal highway maintenance operations. Following final project acceptance by the cabinet, district highway crews will be responsible for identification and correction of deficiencies regarding ground cover and cleaning of storm water BMPs. The project manager shall identify any BMPs that will be for the purpose of post construction storm water management with specific guidance for any non-routine maintenance. (1)

F. Inspections

Inspection and maintenance practices that will be used to maintain erosion and sediment controls:

- All erosion prevention and sediment control measures will be inspected at least once each week and following any rain of one-half inch or more.
- Inspections will be conducted by individuals that have received KyTC Grade Level II training or other qualification as prescribed by the cabinet that includes instruction concerning sediment and erosion control.
- Inspection reports will be written, signed, dated, and kept on file.

KYTC BMP Plan for Project 6 – 419.00

- Areas at final grade will be seeded and mulched within 14 days.
- Areas that are not at final grade where construction has ceased for a period of 21 days or longer and soil stock piles shall receive temporary mulch no later than 14 days from the last construction activity in that area.
- All measures will be maintained in good working order; if a repair is necessary, it will be initiated within 24 hours of being reported.
- Built-up sediment will be removed from behind the silt fence before it has reached halfway up the height of the fence.
- Silt fences will be inspected for bypassing, overtopping, undercutting, depth of sediment, tears, and to ensure attachment to secure posts.
- Sediment basins will be inspected for depth of sediment, and built-up sediment will be removed when it reaches 70 percent of the design capacity and at the end of the job.
- Diversion dikes and berms will be inspected and any breaches promptly repaired. Areas that are eroding or scouring will be repaired and re-seeded / mulched as needed.
- Temporary and permanent seeding and mulching will be inspected for bare spots, washouts, and healthy growth. Bare or eroded areas will be repaired as needed.
- All material storage and equipment servicing areas that involve the management of bulk liquids, fuels, and bulk solids will be inspected weekly for conditions that represent a release or possible release of pollutants to the environment.

G. Non – Storm Water discharges

It is expected that non-storm water discharges may occur from the site during the construction period. Examples of non-storm water discharges include:

- Water from water line flushings.
- Water from cleaning concrete trucks and equipment.
- Pavement wash waters (where no spills or leaks of toxic or hazardous materials have occurred).
- Uncontaminated groundwater and rain water (from dewatering during excavation).

All non-storm water discharges will be directed to the sediment basin or to a filter fence enclosure in a flat vegetated infiltration area or be filtered via another approved commercial product.

KYTC BMP Plan for Project 6 – 419.00

H. Groundwater Protection Plan (3)

This plan serves as the groundwater protection plan as required by 401 KAR 5:037.

➤ Contractors statement: (3)

The following activities, as enumerated by 401 KAR 5:037 Section 2 that require the preparation and implementation of a groundwater protection plan, will or may be conducted as part of this construction project:

_____ 2. (e) land treatment or land disposal of a pollutant;

_____ 2. (f) Storing, ..., or related handling of hazardous waste, solid waste or special waste, ..., in tanks, drums, or other containers, or in piles, (This does not include wastes managed in a container placed for collection and removal of municipal solid waste for disposal off site);

_____ 2. (g) Handling of materials in bulk quantities (equal or greater than 55 gallons or 100 pounds net dry weight transported held in an individual container) that, if released to the environment, would be a pollutant;

_____ 2. (j) Storing or related handling of road oils, dust suppressants,, at a central location;

_____ 2. (k) Application or related handling of road oils, dust suppressants or deicing materials, (does not include use of chloride-based deicing materials applied to roads or parking lots);

_____ 2. (m) Installation, construction, operation, or abandonment of wells, bore holes, or core holes, (this does not include bore holes for the purpose of explosive demolition);

Or, check the following only if there are no qualifying activities

_____ There are no activities for this project as listed in 401 KAR 5:037 Section 2 that require the preparation and implementation of a groundwater protection plan.

The contractor is responsible for the preparation of a plan that addresses the

401 KAR 5:037 Section 3. (3) Elements of site specific groundwater protection plan:

(a) General information about this project is covered in the Project information;

KYTC BMP Plan for Project 6 – 419.00

- (b) Activities that require a groundwater protection plan have been identified above;
- (c) Practices that will protect groundwater from pollution are addressed in section C. Other control measures.
- (d) Implementation schedule – all practices required to prevent pollution of groundwater are to be in place prior to conducting the activity;
- (e) Training is required as a part of the ground water protection plan. All employees of the contractor, sub-contractor and resident engineer personnel will be trained to understand the nature and requirements of this plan as they pertain to their job function(s). Training will be accomplished within one week of employment and annually thereafter. A record of training will be maintained by the contractor with a copy provide to the resident engineer.
- (f) Areas of the project and groundwater plan activities will be inspected as part of the weekly sediment and erosion control inspections
- (g) Certification (see signature page.)

SPECIAL NOTE

Filing of eNOI for KPDES Construction Stormwater Permit

County: Kenton

Item No.: 6-419.00

Route: KY 2373

KDOW Submittal ID:

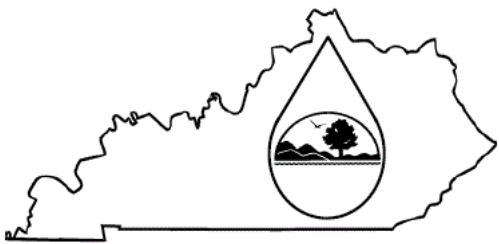
5fbc3a03-0c93-4934-ba3a-

227ee968941e

Project Description: Reconstruct KY 2737 Bromley Crescent Springs Road/ Multi-Use Path

A Notice of Intent for obtaining coverage under the Kentucky Pollutant Discharge Elimination System (KPDES) General Permit for Stormwater Discharges Associated with Construction Activities (KYR10) has been drafted, copy of which is attached. Upon award, the Contractor will be identified in Section III of the form as the “Building Contractor” and it will be submitted for approval to the Kentucky Division of Water. The Contractor shall be responsible for advancing the work in a manner that is compliant with all applicable and appropriate KYTC specifications for sediment and erosion control as well as meeting the requirements of the KYR10 permit and the KDOW.

If there are any questions regarding this note, please contact Danny Peake, Director, Division of Environmental Analysis, TCOB, 200 Mero Street, Frankfort, KY 40622, Phone: (502) 564-7250.

	<h2 style="margin: 0;">KENTUCKY POLLUTION DISCHARGE ELIMINATION SYSTEM (KPDES)</h2> <p style="margin: 5px 0;">Notice of Intent (NOI) for coverage of Storm Water Discharge Associated with Construction Activities Under the KPDES Storm Water General Permit KYR100000</p> <p style="margin: 5px 0;">Click here for Instructions (Controls/KPDES_FormKYR10_Instructions.htm)</p> <p style="margin: 5px 0; font-size: small;">Click here to obtain information and a copy of the KPDES General Permit. (http://dep.ky.gov/formslibrary/Documents/KYR10PermitPage.pdf)</p> <p style="margin: 5px 0; font-size: x-small;">(*) indicates a required field; (✓) indicates a field may be required based on user input or is an optionally required field</p>
---	---

Reason for Submittal:(*) <input type="text" value="Application for New Permit Coverage"/>	Agency Interest ID: <input type="text" value="Agency Interest ID"/>	Permit Number:(✓) <input type="text" value="KPDES Permit Number"/>
--	--	---

If change to existing permit coverage is requested, describe the changes for which modification of coverage is being sought:(✓)

ELIGIBILITY:
 Stormwater discharges associated with construction activities disturbing individually one (1) acre or more, including, in the case of a common plan of development, contiguous construction activities that cumulatively equal one (1) acre or more of disturbance.

EXCLUSIONS:
 The following are excluded from coverage under this general permit:
 1) Are conducted at or on properties that have obtained an individual KPDES permit for the discharge of other wastewaters which requires the development and implementation of a Best Management Practices (BMP) plan;
 2) Any operation that the DOW determines an individual permit would better address the discharges from that operation;
 3) Any project that discharges to an Impaired Water listed in the most recent Integrated Report, §305(b) as impaired for sediment and for which an approved TMDL has been developed.

SECTION I -- FACILITY OPERATOR INFORMATION (PERMITTEE)

Company Name:(✓) <input type="text" value="Kenton County Fiscal Court"/>	First Name:(✓) <input type="text" value="Kris"/>	M.I.: <input type="text" value="MI"/>	Last Name:(✓) <input type="text" value="Knochelmann"/>
Mailing Address:(*) <input type="text" value="1840 Simon Kenton Way"/>	City:(*) <input type="text" value="Covington"/>	State:(*) <input type="text" value="Kentucky"/>	Zip:(*) <input type="text" value="41011"/>
eMail Address:(*) <input type="text" value="kris.knochelmann@kentoncounty.org"/>	Business Phone:(*) <input type="text" value="(859) 392-1400"/>	Alternate Phone: <input type="text" value="Phone"/>	

SECTION II -- GENERAL SITE LOCATION INFORMATION

Project Name:(*) <input type="text" value="Bromley Crescent Springs Road"/>	Status of Owner/Operator(*) <input type="text" value="County Government"/>	SIC Code(*) <input type="text" value="1611 Highway and Street Const"/>
Company Name:(✓) <input type="text" value="n/a"/>	First Name:(✓) <input type="text" value="n/a"/>	M.I.: <input type="text" value="MI"/>
Last Name:(✓) <input type="text" value="n/a"/>		
Site Physical Address:(*) <input type="text" value="2299 - 2101 Bromley-Crescent Springs Road"/>		
City:(*) <input type="text" value="Fort Mitchell/Crescent Springs"/>	State:(*) <input type="text" value="Kentucky"/>	Zip:(*) <input type="text" value="41017"/>
County:(*) <input type="text" value="Kenton"/>	Latitude(decimal degrees)(*)DMS to DD Converter (https://www.fcc.gov/media/radio/dms-decimal) <input type="text" value="39.059444"/>	Longitude(decimal degrees)(*) <input type="text" value="-84.570278"/>

SECTION III -- SPECIFIC SITE ACTIVITY INFORMATION

Project Description:(*)

a. For single projects provide the following information

Total Number of Acres in Project:(✓) <input style="width:95%;" type="text" value="11.6"/>	Total Number of Acres Disturbed:(✓) <input style="width:95%;" type="text" value="11.6"/>
Anticipated Start Date:(✓) <input style="width:95%;" type="text" value="8/15/2020"/>	Anticipated Completion Date:(✓) <input style="width:95%;" type="text" value="9/30/2022"/>

b. For common plans of development provide the following information

Total Number of Acres in Project:(✓) <input style="width:95%;" type="text" value="# Acre(s)"/>	Total Number of Acres Disturbed:(✓) <input style="width:95%;" type="text" value="# Acre(s)"/>
Number of individual lots in development, if applicable:(✓) <input style="width:95%;" type="text" value="# lot(s)"/>	Number of lots in development:(✓) <input style="width:95%;" type="text" value="# lot(s)"/>
Total acreage of lots intended to be developed:(✓) <input style="width:95%;" type="text" value="Project Acres"/>	Number of acres intended to be disturbed at any one time:(✓) <input style="width:95%;" type="text" value="Disturbed Acres"/>
Anticipated Start Date:(✓) <input style="width:95%;" type="text"/>	Anticipated Completion Date:(✓) <input style="width:95%;" type="text"/>

List Building Contractor(s) at the time of Application:(*)

	Company Name			
+				

SECTION IV -- IF THE PERMITTED SITE DISCHARGES TO A WATER BODY THE FOLLOWING INFORMATION IS REQUIRED

Discharge Point(s):

	Unnamed Tributary?	Latitude	Longitude	Receiving Water Name	
1	Yes	39.056701	-84.569001	Pleasant Run Creek	Delete
+					

SECTION V -- IF THE PERMITTED SITE DISCHARGES TO A MS4 THE FOLLOWING INFORMATION IS REQUIRED

Name of MS4: <input style="width:95%;" type="text"/>											
Date of application/notification to the MS4 for construction site permit coverage: <input style="width:95%;" type="text" value="Date"/>	Discharge Point(s):(*) <table border="1" style="width:100%; border-collapse: collapse;"> <thead> <tr> <th style="width:5%;"></th> <th style="width:15%;">Latitude</th> <th style="width:15%;">Longitude</th> <th style="width:10%;"></th> <th style="width:10%;"></th> </tr> </thead> <tbody> <tr> <td style="text-align:center;">+</td> <td colspan="4" style="height: 50px;"></td> </tr> </tbody> </table>		Latitude	Longitude			+				
	Latitude	Longitude									
+											

SECTION VI -- WILL THE PROJECT REQUIRE CONSTRUCTION ACTIVITIES IN A WATER BODY OR THE RIPARIAN ZONE?

Will the project require construction activities in a water body or the riparian zone?: (*)	<input style="width:95%;" type="text" value="Yes"/>
If Yes, describe scope of activity: (✓)	<input style="width:95%;" type="text" value="Culvert reconstruction"/>
Is a Clean Water Act 404 permit required?:(*)	<input style="width:95%;" type="text" value="No"/>

Is a Clean Water Act 401 Water Quality Certification required?:(*)		No	
SECTION VII -- NOI PREPARER INFORMATION			
First Name:(*) Gregory	M.I.: MI	Last Name:(*) Kreutzjans	Company Name:(*) GRW Engineers, INC
Mailing Address:(*) 250 Grandview Drive Suite 110	City:(*) Fort Mitchell	State:(*) Kentucky	Zip:(*) 41017
eMail Address:(*) gkreutzjans@grwinc.com	Business Phone:(*) 8593319220	Alternate Phone: Phone	
SECTION VIII -- ATTACHMENTS			
Facility Location Map:(*)	<input type="button" value="Upload file"/>		
Supplemental Information:	<input type="button" value="Upload file"/>		
SECTION IX -- CERTIFICATION			
I certify under penalty of law that this document and all attachments were prepared under my direction or supervision in accordance with a system designed to assure that qualified personnel properly gather and evaluate the information submitted. Based on my inquiry of the person or persons who manage the system, or those persons directly responsible for gathering the information submitted is, to the best of my knowledge and belief, true, accurate, and complete. I am aware that there are significant penalties for submitting false information, including the possibility of fine and imprisonment for knowing violations.			
Signature:(*) Gregory Kreutzjans		Title:(*) Project Manager	
First Name:(*) Gregory	M.I.: MI	Last Name:(*) Kreutzjans	
eMail Address:(*) gkreutzjans@grwinc.com	Business Phone:(*) 8593319220	Alternate Phone: Phone	Signature Date:(*) 5/18/2020
<input type="button" value="Click to Save Values for Future Retrieval"/> <input type="button" value="Click to Submit to EEC"/>			



Forms - Form Details

Form Details:

Form Name: KPDES NOI for KYR10 (Construction Stormwater General Permit)

Form Id: 48

eForm Submittal ID: 190909

eForm Transaction ID: 5fbc3a03-0c93-4934-ba3a-227ee968941e

Status: User Saved [?Help](#)

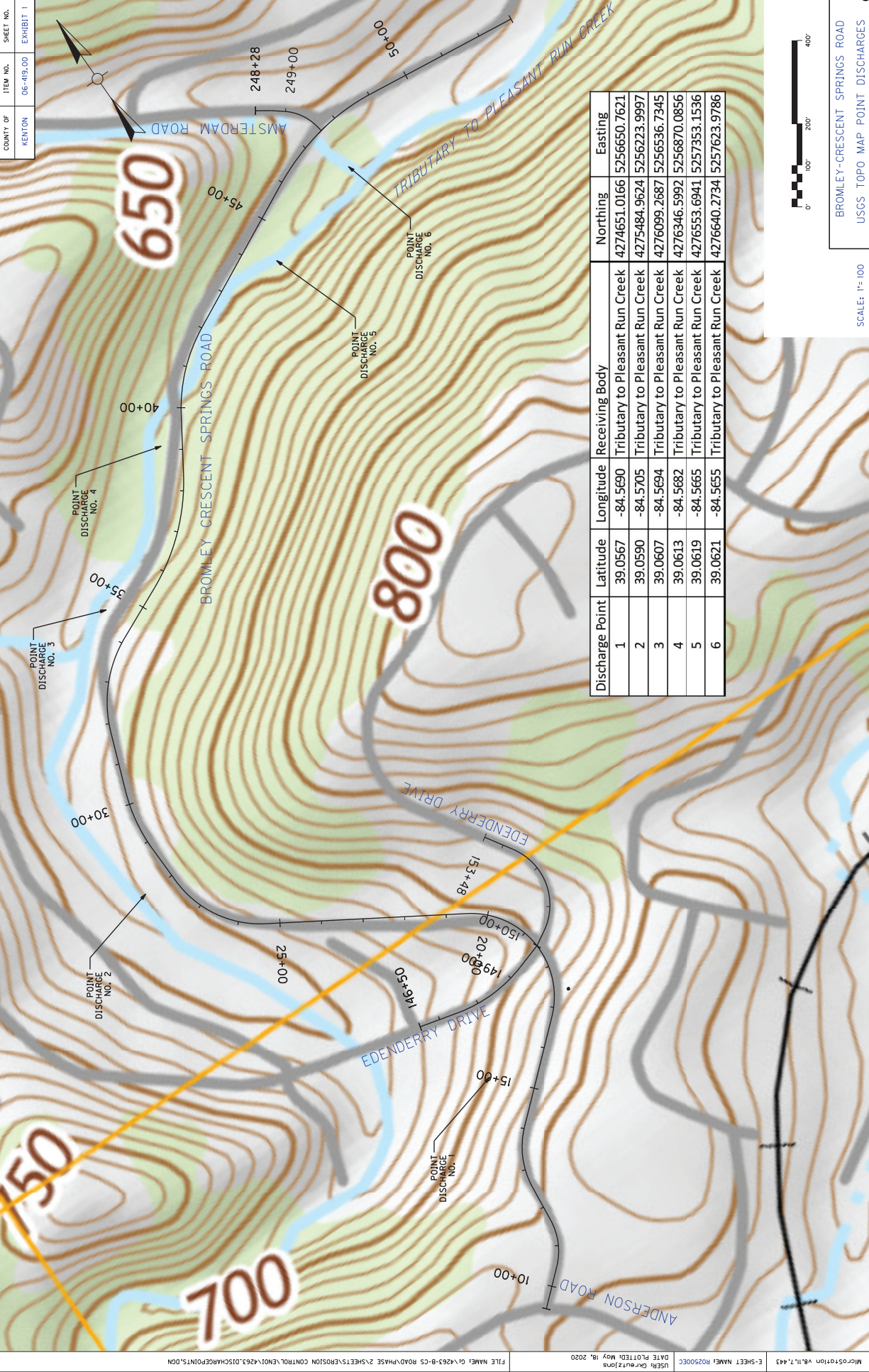
Date: 05/18/2020

Submitted to EEC?: No [?Help](#)

Continue with this eForm

Create a new eForm with values from this previously saved/submitted eForm.

SHEET NO.	ITEM NO.	SHEET NO.
06-419.00	KENTON	EXHIBIT 1



Discharge Point	Latitude	Longitude	Receiving Body	Northing	Easting
1	39.0567	-84.5690	Tributary to Pleasant Run Creek	4274651.0166	5256650.7621
2	39.0590	-84.5705	Tributary to Pleasant Run Creek	4275484.9624	5256223.9997
3	39.0607	-84.5694	Tributary to Pleasant Run Creek	4276099.2687	5256536.7345
4	39.0613	-84.5682	Tributary to Pleasant Run Creek	4276346.5992	5256870.0856
5	39.0619	-84.5665	Tributary to Pleasant Run Creek	4276553.6941	5257353.1536
6	39.0621	-84.5655	Tributary to Pleasant Run Creek	4276640.2734	5257623.9786



BROMLEY-CRESCENT SPRINGS ROAD
USGS TOPO MAP POINT DISCHARGES
SCALE: 1"= 100'

MICROSTATION V8.11.7.443
C-SHEET NAME: R02500C
DATE PLOTTED: May 18, 2020
USGS GROUNDWATER
FILE NAME: G:\263-B-C5 ROAD\PHASE 2\SHEETS\EROSION CONTROL\ENR\4263.DISC\ARCP\POINTS.DGN

PART II
SPECIFICATIONS AND STANDARD DRAWINGS

SPECIFICATIONS REFERENCE

Any reference in the plans or proposal to previous editions of the *Standard Specifications for Road and Bridge Construction* and *Standard Drawings* are superseded by *Standard Specifications for Road and Bridge Construction, Edition of 2019* and *Standard Drawings, Edition of 2020*.

SUPPLEMENTAL SPECIFICATIONS

The contractor shall use the Supplemental Specifications that are effective at the time of letting.
The Supplemental Specifications can be found at the following link:

<http://transportation.ky.gov/Construction/Pages/Kentucky-Standard-Specifications.aspx>

SPECIAL NOTE FOR PORTABLE CHANGEABLE MESSAGE SIGNS

This Special Note will apply when indicated on the plans or in the proposal.

1.0 DESCRIPTION. Furnish, install, operate, and maintain variable message signs at the locations shown on the plans or designated by the Engineer. Remove and retain possession of variable message signs when they are no longer needed on the project.

2.0 MATERIALS.

2.1 General. Use LED Variable Message Signs Class I, II, or III, as appropriate, from the Department's List of Approved Materials.

Unclassified signs may be submitted for approval by the Engineer. The Engineer may require a daytime and nighttime demonstration. The Engineer will make a final decision within 30 days after all required information is received.

2.2 Sign and Controls. All signs must:

- 1) Provide 3-line messages with each line being 8 characters long and at least 18 inches tall. Each character comprises 35 pixels.
- 2) Provide at least 40 preprogrammed messages available for use at any time. Provide for quick and easy change of the displayed message; editing of the message; and additions of new messages.
- 3) Provide a controller consisting of:
 - a) Keyboard or keypad.
 - b) Readout that mimics the actual sign display. (When LCD or LCD type readout is used, include backlighting and heating or otherwise arrange for viewing in cold temperatures.)
 - c) Non-volatile memory or suitable memory with battery backup for storing pre-programmed messages.
 - d) Logic circuitry to control the sequence of messages and flash rate.
- 4) Provide a serial interface that is capable of supporting complete remote control ability through land line and cellular telephone operation. Include communication software capable of immediately updating the message, providing complete sign status, and allowing message library queries and updates.
- 5) Allow a single person easily to raise the sign to a satisfactory height above the pavement during use, and lower the sign during travel.
- 6) Be Highway Orange on all exterior surfaces of the trailer, supports, and controller cabinet.
- 7) Provide operation in ambient temperatures from -30 to + 120 degrees Fahrenheit during snow, rain and other inclement weather.
- 8) Provide the driver board as part of a module. All modules are interchangeable, and have plug and socket arrangements for disconnection and reconnection. Printed circuit boards associated with driver boards have a conformable coating to protect against moisture.
- 9) Provide a sign case sealed against rain, snow, dust, insects, etc. The lens is UV stabilized clear plastic (polycarbonate, acrylic, or other approved material) angled to prevent glare.
- 10) Provide a flat black UV protected coating on the sign hardware, character PCB, and appropriate lens areas.
- 11) Provide a photocell control to provide automatic dimming.

- 12) Allow an on-off flashing sequence at an adjustable rate.
- 13) Provide a sight to aim the message.
- 14) Provide a LED display color of approximately 590 nm amber.
- 15) Provide a controller that is password protected.
- 16) Provide a security device that prevents unauthorized individuals from accessing the controller.
- 17) Provide the following 3-line messages preprogrammed and available for use when the sign unit begins operation:

/KEEP/RIGHT/=>=>=>/	/MIN/SPEED/**MPH/
/KEEP/LEFT/←←←/	/ICY/BRIDGE/AHEAD/ /ONE
/LOOSE/GRAVEL/AHEAD/	LANE/BRIDGE/AHEAD/
/RD WORK/NEXT/**MILES/	/ROUGH/ROAD/AHEAD/
/TWO WAY/TRAFFIC/AHEAD/	/MERGING/TRAFFIC/AHEAD/
/PAINT/CREW/AHEAD/	/NEXT/***/MILES/
/REDUCE/SPEED/**MPH/	/HEAVY/TRAFFIC/AHEAD/
/BRIDGE/WORK/***0 FT/	/SPEED/LIMIT/**MPH/
/MAX/SPEED/**MPH/	/BUMP/AHEAD/
/SURVEY/PARTY/AHEAD/	/TWO/WAY/TRAFFIC/

*Insert numerals as directed by the Engineer.

Add other messages during the project when required by the Engineer.

2.3 Power.

- 1) Design solar panels to yield 10 percent or greater additional charge than sign consumption. Provide direct wiring for operation of the sign or arrow board from an external power source to provide energy backup for 21 days without sunlight and an on-board system charger with the ability to recharge completely discharged batteries in 24 hours.

3.0 CONSTRUCTION. Furnish and operate the variable message signs as designated on the plans or by the Engineer. Ensure the bottom of the message panel is a minimum of 7 feet above the roadway in urban areas and 5 feet above in rural areas when operating. Use Class I, II, or III signs on roads with a speed limit less than 55 mph. Use Class I or II signs on roads with speed limits 55 mph or greater.

Maintain the sign in proper working order, including repair of any damage done by others, until completion of the project. When the sign becomes inoperative, immediately repair or replace the sign. Repetitive problems with the same unit will be cause for rejection and replacement.

Use only project related messages and messages directed by the Engineer, unnecessary messages lessen the impact of the sign. Ensure the message is displayed in either one or 2 phases with each phase having no more than 3 lines of text. When no message is needed, but it is necessary to know if the sign is operable, flash only a pixel.

When the sign is not needed, move it outside the clear zone or where the Engineer directs. Variable Message Signs are the property of the Contractor and shall be removed from the project when no longer needed. The Department will not assume ownership of these signs.

4.0 MEASUREMENT. The final quantity of Variable Message Sign will be

11

the actual number of individual signs acceptably furnished and operated during the project. The Department will not measure signs replaced due to damage or rejection.

5.0 PAYMENT. The Department will pay for the Variable Message Signs at the unit price each. The Department will not pay for signs replaced due to damage or rejection. Payment is full compensation for furnishing all materials, labor, equipment, and service necessary to, operate, move, repair, and maintain or replace the variable message signs. The Department will make payment for the completed and accepted quantities under the following:

<u>Code</u>	<u>Pay Item</u>	<u>Pay Unit</u>
02671	Portable Changeable Message Sign	Each

Effective June 15, 2012

SPECIAL NOTE FOR BARCODE LABEL ON PERMANENT SIGNS

1.0 DESCRIPTION. Install barcode label on sheeting signs. Section references herein are to the Department’s Standard Specifications for Road and Bridge Construction, current edition.

2.0 MATERIALS. The Department will provide the Contractor with a 2 inch x 1 inch foil barcode label for each permanent sheeting sign. A unique number will be assigned to each barcode label.

The Contractor shall contact the Operations and Pavement Management Branch in the Division of Maintenance at (502) 564-4556 to obtain the barcode labels.

3.0 CONSTRUCTION. Apply foil barcode label in the lower right quadrant of the sign back. Signs where the bottom edge is not parallel to the ground, the lowest corner of the sign shall serve as the location to place the barcode label. The barcode label shall be placed no less than one-inch and no more than three inches from any edge of the sign. The barcode must be placed so that the sign post does not cover the barcode label.

Barcodes shall be applied in an indoor setting with a minimum air temperature of 50°F or higher. Prior to application of the barcode label, the back of the sign must be clean and free of dust, oil, etc. If the sign is not clean, an alcohol swab shall be used to clean the area. The area must be allowed to dry prior to placement of the barcode label.

Data for each sign shall include the barcode number, MUTCD reference number, sheeting manufacturer, sheeting type, manufacture date, color of primary reflective surface, installation date, latitude and longitude using the North American Datum of 1983 (NAD83) or the State Plane Coordinates using an x and y ordinate of the installed location.

Data should be provided electronically on the TC 71-229 Sign Details Information and TC 71-230 Sign Assembly Information forms. The Contractor may choose to present the data in a different format provided that the information submitted to the Department is equivalent to the information required on the Department TC forms. The forms must be submitted in electronic format regardless of which type of form is used. The Department will not accept PDF or handwritten forms. These completed forms must be submitted to the Department prior to final inspection of the signs. The Department will not issue formal acceptance for the project until the TC 71-229 and TC-230 electronic forms are completed for all signs and sign assemblies on the project.

4.0 MEASUREMENT. The Department will measure all work required for the installation of the barcode label and all work associated with completion and submission of the sign inventory data (TC 71-229 and TC 71-230).

The installation of the permanent sign will be measured in accordance to Section 715.

5.0 PAYMENT. The Department will make payment for the completed and accepted quantities under the following:

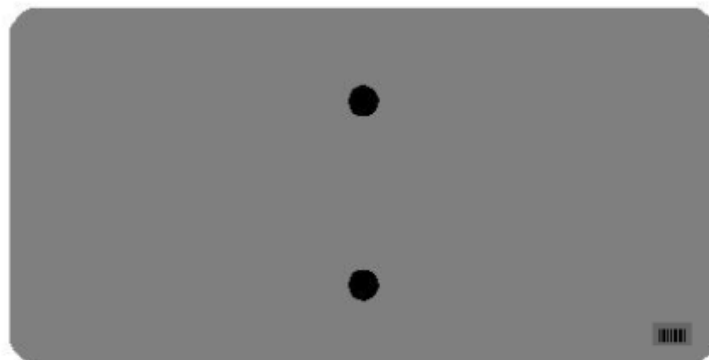
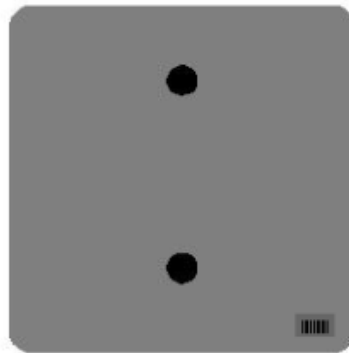
<u>Code</u>	<u>Pay Item</u>	<u>Pay Unit</u>
24631EC	Barcode Sign Inventory	Each

The Department will not make payment for this item until all barcodes are installed and sign inventory is complete on every permanent sign installed on the project. The Department will make payment for installation of the permanent sign in accordance to Section 715. The Department will consider payment as full compensation for all work required under this special note.

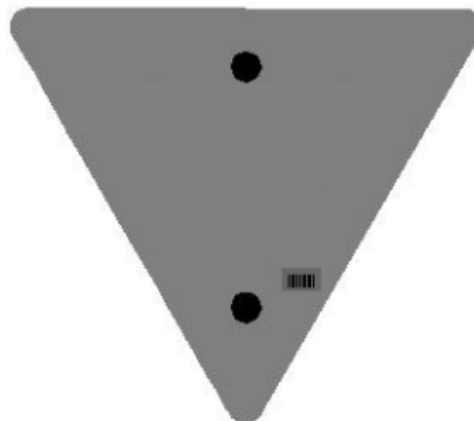
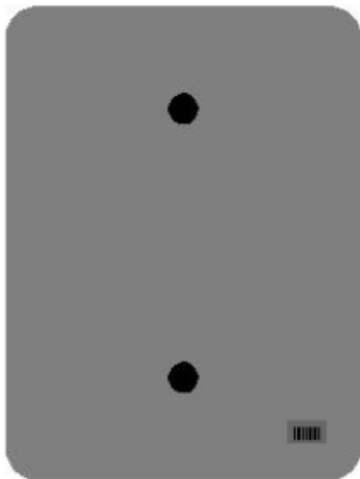
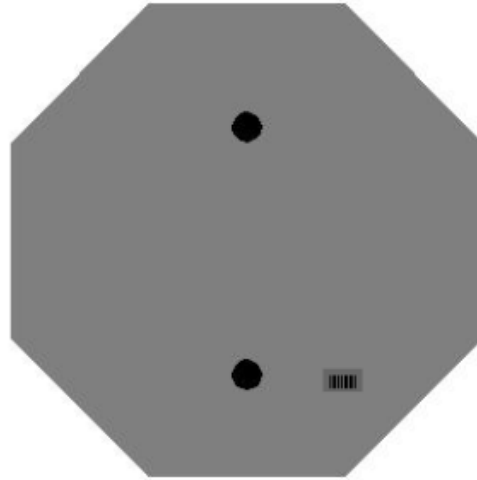
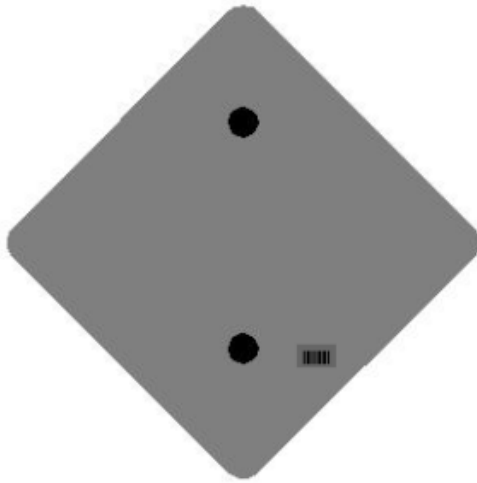
One Sign Post



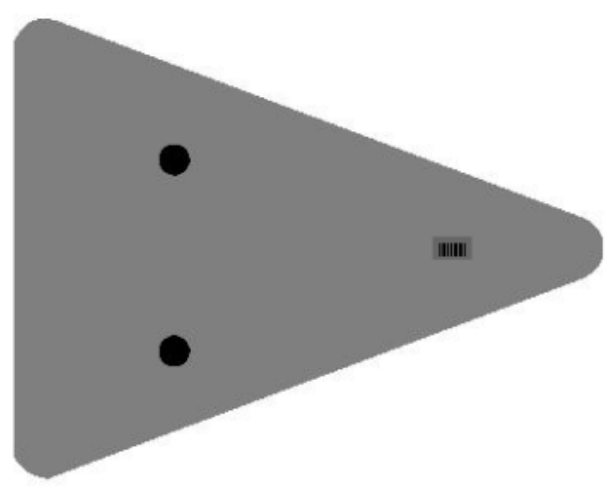
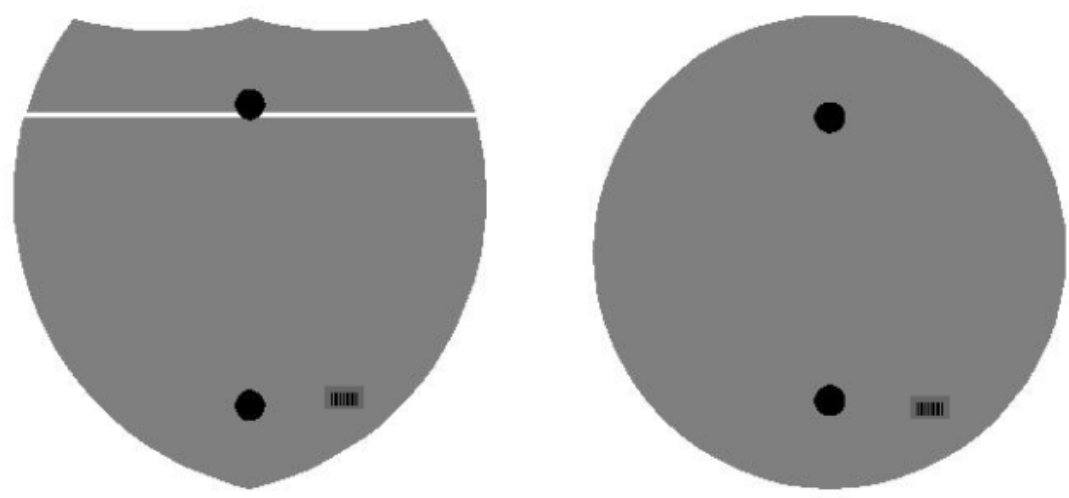
↑
2" Wide Post



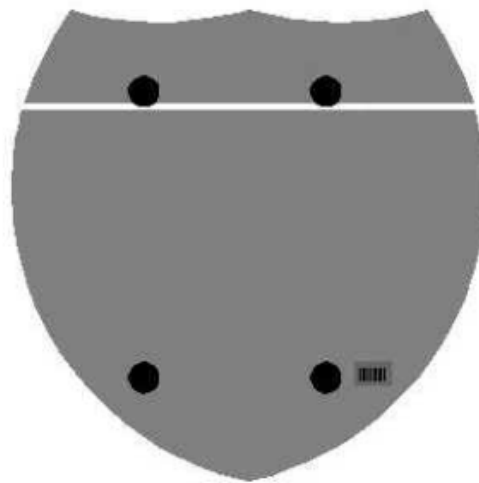
One Sign Post



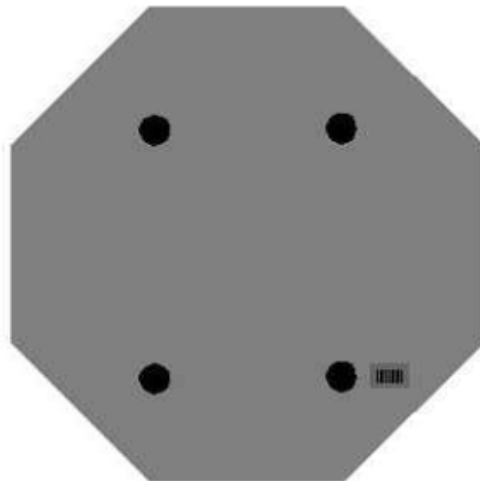
One Sign Post



Double Sign Post



Interstate
Shield

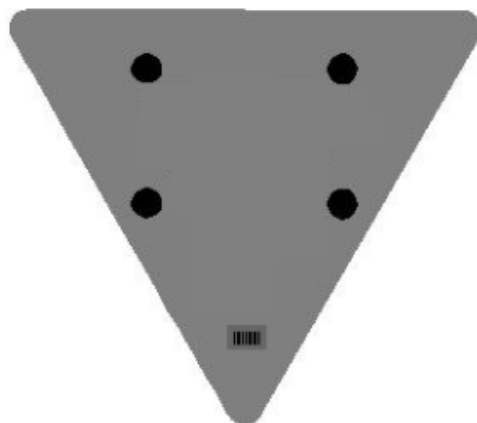


48" Stop

2 Post Signs



↑
2" Wide Post



PART III

EMPLOYMENT, WAGE AND RECORD REQUIREMENTS

FHWA-1273 -- Revised May 1, 2012

**REQUIRED CONTRACT PROVISIONS
FEDERAL-AID CONSTRUCTION CONTRACTS**

- I. General
- II. Nondiscrimination
- III. Nonsegregated Facilities
- IV. Davis-Bacon and Related Act Provisions
- V. Contract Work Hours and Safety Standards Act Provisions
- VI. Subletting or Assigning the Contract
- VII. Safety: Accident Prevention
- VIII. False Statements Concerning Highway Projects
- IX. Implementation of Clean Air Act and Federal Water Pollution Control Act
- X. Compliance with Governmentwide Suspension and Debarment Requirements
- XI. Certification Regarding Use of Contract Funds for Lobbying

3. A breach of any of the stipulations contained in these Required Contract Provisions may be sufficient grounds for withholding of progress payments, withholding of final payment, termination of the contract, suspension / debarment or any other action determined to be appropriate by the contracting agency and FHWA.

4. Selection of Labor: During the performance of this contract, the contractor shall not use convict labor for any purpose within the limits of a construction project on a Federal-aid highway unless it is labor performed by convicts who are on parole, supervised release, or probation. The term Federal-aid highway does not include roadways functionally classified as local roads or rural minor collectors.

ATTACHMENTS

A. Employment and Materials Preference for Appalachian Development Highway System or Appalachian Local Access Road Contracts (included in Appalachian contracts only)

II. NONDISCRIMINATION

The provisions of this section related to 23 CFR Part 230 are applicable to all Federal-aid construction contracts and to all related construction subcontracts of \$10,000 or more. The provisions of 23 CFR Part 230 are not applicable to material supply, engineering, or architectural service contracts.

I. GENERAL

1. Form FHWA-1273 must be physically incorporated in each construction contract funded under Title 23 (excluding emergency contracts solely intended for debris removal). The contractor (or subcontractor) must insert this form in each subcontract and further require its inclusion in all lower tier subcontracts (excluding purchase orders, rental agreements and other agreements for supplies or services).

In addition, the contractor and all subcontractors must comply with the following policies: Executive Order 11246, 41 CFR 60, 29 CFR 1625-1627, Title 23 USC Section 140, the Rehabilitation Act of 1973, as amended (29 USC 794), Title VI of the Civil Rights Act of 1964, as amended, and related regulations including 49 CFR Parts 21, 26 and 27; and 23 CFR Parts 200, 230, and 633.

The applicable requirements of Form FHWA-1273 are incorporated by reference for work done under any purchase order, rental agreement or agreement for other services. The prime contractor shall be responsible for compliance by any subcontractor, lower-tier subcontractor or service provider.

The contractor and all subcontractors must comply with: the requirements of the Equal Opportunity Clause in 41 CFR 60-1.4(b) and, for all construction contracts exceeding \$10,000, the Standard Federal Equal Employment Opportunity Construction Contract Specifications in 41 CFR 60-4.3.

Form FHWA-1273 must be included in all Federal-aid design-build contracts, in all subcontracts and in lower tier subcontracts (excluding subcontracts for design services, purchase orders, rental agreements and other agreements for supplies or services). The design-builder shall be responsible for compliance by any subcontractor, lower-tier subcontractor or service provider.

Note: The U.S. Department of Labor has exclusive authority to determine compliance with Executive Order 11246 and the policies of the Secretary of Labor including 41 CFR 60, and 29 CFR 1625-1627. The contracting agency and the FHWA have the authority and the responsibility to ensure compliance with Title 23 USC Section 140, the Rehabilitation Act of 1973, as amended (29 USC 794), and Title VI of the Civil Rights Act of 1964, as amended, and related regulations including 49 CFR Parts 21, 26 and 27; and 23 CFR Parts 200, 230, and 633.

Contracting agencies may reference Form FHWA-1273 in bid proposal or request for proposal documents, however, the Form FHWA-1273 must be physically incorporated (not referenced) in all contracts, subcontracts and lower-tier subcontracts (excluding purchase orders, rental agreements and other agreements for supplies or services related to a construction contract).

The following provision is adopted from 23 CFR 230, Appendix A, with appropriate revisions to conform to the U.S. Department of Labor (US DOL) and FHWA requirements.

2. Subject to the applicability criteria noted in the following sections, these contract provisions shall apply to all work performed on the contract by the contractor's own organization and with the assistance of workers under the contractor's immediate superintendence and to all work performed on the contract by piecework, station work, or by subcontract.

1. Equal Employment Opportunity: Equal employment opportunity (EEO) requirements not to discriminate and to take affirmative action to assure equal opportunity as set forth under laws, executive orders, rules, regulations (28 CFR 35, 29 CFR 1630, 29 CFR 1625-1627, 41 CFR 60 and 49 CFR 27) and orders of the Secretary of Labor as modified by the provisions prescribed herein, and imposed pursuant to 23 U.S.C. 140 shall constitute the EEO and specific affirmative action standards for the contractor's project activities under

this contract. The provisions of the Americans with Disabilities Act of 1990 (42 U.S.C. 12101 et seq.) set forth under 28 CFR 35 and 29 CFR 1630 are incorporated by reference in this contract. In the execution of this contract, the contractor agrees to comply with the following minimum specific requirement activities of EEO:

a. The contractor will work with the contracting agency and the Federal Government to ensure that it has made every good faith effort to provide equal opportunity with respect to all of its terms and conditions of employment and in their review of activities under the contract.

b. The contractor will accept as its operating policy the following statement:

"It is the policy of this Company to assure that applicants are employed, and that employees are treated during employment, without regard to their race, religion, sex, color, national origin, age or disability. Such action shall include: employment, upgrading, demotion, or transfer; recruitment or recruitment advertising; layoff or termination; rates of pay or other forms of compensation; and selection for training, including apprenticeship, pre-apprenticeship, and/or on-the-job training."

2. EEO Officer: The contractor will designate and make known to the contracting officers an EEO Officer who will have the responsibility for and must be capable of effectively administering and promoting an active EEO program and who must be assigned adequate authority and responsibility to do so.

3. Dissemination of Policy: All members of the contractor's staff who are authorized to hire, supervise, promote, and discharge employees, or who recommend such action, or who are substantially involved in such action, will be made fully cognizant of, and will implement, the contractor's EEO policy and contractual responsibilities to provide EEO in each grade and classification of employment. To ensure that the above agreement will be met, the following actions will be taken as a minimum:

a. Periodic meetings of supervisory and personnel office employees will be conducted before the start of work and then not less often than once every six months, at which time the contractor's EEO policy and its implementation will be reviewed and explained. The meetings will be conducted by the EEO Officer.

b. All new supervisory or personnel office employees will be given a thorough indoctrination by the EEO Officer, covering all major aspects of the contractor's EEO obligations within thirty days following their reporting for duty with the contractor.

c. All personnel who are engaged in direct recruitment for the project will be instructed by the EEO Officer in the contractor's procedures for locating and hiring minorities and women.

d. Notices and posters setting forth the contractor's EEO policy will be placed in areas readily accessible to employees, applicants for employment and potential employees.

e. The contractor's EEO policy and the procedures to implement such policy will be brought to the attention of employees by means of meetings, employee handbooks, or other appropriate means.

4. Recruitment: When advertising for employees, the contractor will include in all advertisements for employees the notation: "An Equal Opportunity Employer." All such advertisements will be placed in publications having a large circulation among minorities and women in the area from which the project work force would normally be derived.

a. The contractor will, unless precluded by a valid bargaining agreement, conduct systematic and direct recruitment through public and private employee referral sources likely to yield qualified minorities and women. To meet this requirement, the contractor will identify sources of potential minority group employees, and establish with such identified sources procedures whereby minority and women applicants may be referred to the contractor for employment consideration.

b. In the event the contractor has a valid bargaining agreement providing for exclusive hiring hall referrals, the contractor is expected to observe the provisions of that agreement to the extent that the system meets the contractor's compliance with EEO contract provisions. Where implementation of such an agreement has the effect of discriminating against minorities or women, or obligates the contractor to do the same, such implementation violates Federal nondiscrimination provisions.

c. The contractor will encourage its present employees to refer minorities and women as applicants for employment. Information and procedures with regard to referring such applicants will be discussed with employees.

5. Personnel Actions: Wages, working conditions, and employee benefits shall be established and administered, and personnel actions of every type, including hiring, upgrading, promotion, transfer, demotion, layoff, and termination, shall be taken without regard to race, color, religion, sex, national origin, age or disability. The following procedures shall be followed:

a. The contractor will conduct periodic inspections of project sites to insure that working conditions and employee facilities do not indicate discriminatory treatment of project site personnel.

b. The contractor will periodically evaluate the spread of wages paid within each classification to determine any evidence of discriminatory wage practices.

c. The contractor will periodically review selected personnel actions in depth to determine whether there is evidence of discrimination. Where evidence is found, the contractor will promptly take corrective action. If the review indicates that the discrimination may extend beyond the actions reviewed, such corrective action shall include all affected persons.

d. The contractor will promptly investigate all complaints of alleged discrimination made to the contractor in connection with its obligations under this contract, will attempt to resolve such complaints, and will take appropriate corrective action within a reasonable time. If the investigation indicates that the discrimination may affect persons other than the complainant, such corrective action shall include such other persons. Upon completion of each investigation, the contractor will inform every complainant of all of their avenues of appeal.

6. Training and Promotion:

a. The contractor will assist in locating, qualifying, and increasing the skills of minorities and women who are

applicants for employment or current employees. Such efforts should be aimed at developing full journey level status employees in the type of trade or job classification involved.

b. Consistent with the contractor's work force requirements and as permissible under Federal and State regulations, the contractor shall make full use of training programs, i.e., apprenticeship, and on-the-job training programs for the geographical area of contract performance. In the event a special provision for training is provided under this contract, this subparagraph will be superseded as indicated in the special provision. The contracting agency may reserve training positions for persons who receive welfare assistance in accordance with 23 U.S.C. 140(a).

c. The contractor will advise employees and applicants for employment of available training programs and entrance requirements for each.

d. The contractor will periodically review the training and promotion potential of employees who are minorities and women and will encourage eligible employees to apply for such training and promotion.

7. Unions: If the contractor relies in whole or in part upon unions as a source of employees, the contractor will use good faith efforts to obtain the cooperation of such unions to increase opportunities for minorities and women. Actions by the contractor, either directly or through a contractor's association acting as agent, will include the procedures set forth below:

a. The contractor will use good faith efforts to develop, in cooperation with the unions, joint training programs aimed toward qualifying more minorities and women for membership in the unions and increasing the skills of minorities and women so that they may qualify for higher paying employment.

b. The contractor will use good faith efforts to incorporate an EEO clause into each union agreement to the end that such union will be contractually bound to refer applicants without regard to their race, color, religion, sex, national origin, age or disability.

c. The contractor is to obtain information as to the referral practices and policies of the labor union except that to the extent such information is within the exclusive possession of the labor union and such labor union refuses to furnish such information to the contractor, the contractor shall so certify to the contracting agency and shall set forth what efforts have been made to obtain such information.

d. In the event the union is unable to provide the contractor with a reasonable flow of referrals within the time limit set forth in the collective bargaining agreement, the contractor will, through independent recruitment efforts, fill the employment vacancies without regard to race, color, religion, sex, national origin, age or disability; making full efforts to obtain qualified and/or qualifiable minorities and women. The failure of a union to provide sufficient referrals (even though it is obligated to provide exclusive referrals under the terms of a collective bargaining agreement) does not relieve the contractor from the requirements of this paragraph. In the event the union referral practice prevents the contractor from meeting the obligations pursuant to Executive Order 11246, as amended, and these special provisions, such contractor shall immediately notify the contracting agency.

8. Reasonable Accommodation for Applicants / Employees with Disabilities: The contractor must be familiar

with the requirements for and comply with the Americans with Disabilities Act and all rules and regulations established there under. Employers must provide reasonable accommodation in all employment activities unless to do so would cause an undue hardship.

9. Selection of Subcontractors, Procurement of Materials and Leasing of Equipment: The contractor shall not discriminate on the grounds of race, color, religion, sex, national origin, age or disability in the selection and retention of subcontractors, including procurement of materials and leases of equipment. The contractor shall take all necessary and reasonable steps to ensure nondiscrimination in the administration of this contract.

a. The contractor shall notify all potential subcontractors and suppliers and lessors of their EEO obligations under this contract.

b. The contractor will use good faith efforts to ensure subcontractor compliance with their EEO obligations.

10. Assurance Required by 49 CFR 26.13(b):

a. The requirements of 49 CFR Part 26 and the State DOT's U.S. DOT-approved DBE program are incorporated by reference.

b. The contractor or subcontractor shall not discriminate on the basis of race, color, national origin, or sex in the performance of this contract. The contractor shall carry out applicable requirements of 49 CFR Part 26 in the award and administration of DOT-assisted contracts. Failure by the contractor to carry out these requirements is a material breach of this contract, which may result in the termination of this contract or such other remedy as the contracting agency deems appropriate.

11. Records and Reports: The contractor shall keep such records as necessary to document compliance with the EEO requirements. Such records shall be retained for a period of three years following the date of the final payment to the contractor for all contract work and shall be available at reasonable times and places for inspection by authorized representatives of the contracting agency and the FHWA.

a. The records kept by the contractor shall document the following:

(1) The number and work hours of minority and non-minority group members and women employed in each work classification on the project;

(2) The progress and efforts being made in cooperation with unions, when applicable, to increase employment opportunities for minorities and women; and

(3) The progress and efforts being made in locating, hiring, training, qualifying, and upgrading minorities and women;

b. The contractors and subcontractors will submit an annual report to the contracting agency each July for the duration of the project, indicating the number of minority, women, and non-minority group employees currently engaged in each work classification required by the contract work. This information is to be reported on [Form FHWA-1391](#). The staffing data should represent the project work force on board in all or any part of the last payroll period preceding the end of July. If on-the-job training is being required by special provision, the contractor

will be required to collect and report training data. The employment data should reflect the work force on board during all or any part of the last payroll period preceding the end of July.

III. NONSEGREGATED FACILITIES

This provision is applicable to all Federal-aid construction contracts and to all related construction subcontracts of \$10,000 or more.

The contractor must ensure that facilities provided for employees are provided in such a manner that segregation on the basis of race, color, religion, sex, or national origin cannot result. The contractor may neither require such segregated use by written or oral policies nor tolerate such use by employee custom. The contractor's obligation extends further to ensure that its employees are not assigned to perform their services at any location, under the contractor's control, where the facilities are segregated. The term "facilities" includes waiting rooms, work areas, restaurants and other eating areas, time clocks, restrooms, washrooms, locker rooms, and other storage or dressing areas, parking lots, drinking fountains, recreation or entertainment areas, transportation, and housing provided for employees. The contractor shall provide separate or single-user restrooms and necessary dressing or sleeping areas to assure privacy between sexes.

IV. DAVIS-BACON AND RELATED ACT PROVISIONS

This section is applicable to all Federal-aid construction projects exceeding \$2,000 and to all related subcontracts and lower-tier subcontracts (regardless of subcontract size). The requirements apply to all projects located within the right-of-way of a roadway that is functionally classified as Federal-aid highway. This excludes roadways functionally classified as local roads or rural minor collectors, which are exempt. Contracting agencies may elect to apply these requirements to other projects.

The following provisions are from the U.S. Department of Labor regulations in 29 CFR 5.5 "Contract provisions and related matters" with minor revisions to conform to the FHWA-1273 format and FHWA program requirements.

1. Minimum wages

a. All laborers and mechanics employed or working upon the site of the work, will be paid unconditionally and not less often than once a week, and without subsequent deduction or rebate on any account (except such payroll deductions as are permitted by regulations issued by the Secretary of Labor under the Copeland Act (29 CFR part 3)), the full amount of wages and bona fide fringe benefits (or cash equivalents thereof) due at time of payment computed at rates not less than those contained in the wage determination of the Secretary of Labor which is attached hereto and made a part hereof, regardless of any contractual relationship which may be alleged to exist between the contractor and such laborers and mechanics.

Contributions made or costs reasonably anticipated for bona fide fringe benefits under section 1(b)(2) of the Davis-Bacon Act on behalf of laborers or mechanics are considered wages paid to such laborers or mechanics, subject to the provisions

of paragraph 1.d. of this section; also, regular contributions made or costs incurred for more than a weekly period (but not less often than quarterly) under plans, funds, or programs which cover the particular weekly period, are deemed to be constructively made or incurred during such weekly period. Such laborers and mechanics shall be paid the appropriate wage rate and fringe benefits on the wage determination for the classification of work actually performed, without regard to skill, except as provided in 29 CFR 5.5(a)(4). Laborers or mechanics performing work in more than one classification may be compensated at the rate specified for each classification for the time actually worked therein: Provided, That the employer's payroll records accurately set forth the time spent in each classification in which work is performed. The wage determination (including any additional classification and wage rates conformed under paragraph 1.b. of this section) and the Davis-Bacon poster (WH-1321) shall be posted at all times by the contractor and its subcontractors at the site of the work in a prominent and accessible place where it can be easily seen by the workers.

b.(1) The contracting officer shall require that any class of laborers or mechanics, including helpers, which is not listed in the wage determination and which is to be employed under the contract shall be classified in conformance with the wage determination. The contracting officer shall approve an additional classification and wage rate and fringe benefits therefore only when the following criteria have been met:

- (i) The work to be performed by the classification requested is not performed by a classification in the wage determination; and
- (ii) The classification is utilized in the area by the construction industry; and
- (iii) The proposed wage rate, including any bona fide fringe benefits, bears a reasonable relationship to the wage rates contained in the wage determination.

(2) If the contractor and the laborers and mechanics to be employed in the classification (if known), or their representatives, and the contracting officer agree on the classification and wage rate (including the amount designated for fringe benefits where appropriate), a report of the action taken shall be sent by the contracting officer to the Administrator of the Wage and Hour Division, Employment Standards Administration, U.S. Department of Labor, Washington, DC 20210. The Administrator, or an authorized representative, will approve, modify, or disapprove every additional classification action within 30 days of receipt and so advise the contracting officer or will notify the contracting officer within the 30-day period that additional time is necessary.

(3) In the event the contractor, the laborers or mechanics to be employed in the classification or their representatives, and the contracting officer do not agree on the proposed classification and wage rate (including the amount designated for fringe benefits, where appropriate), the contracting officer shall refer the questions, including the views of all interested parties and the recommendation of the contracting officer, to the Wage and Hour Administrator for determination. The Wage and Hour Administrator, or an authorized representative, will issue a determination within 30 days of receipt and so advise the contracting officer or

will notify the contracting officer within the 30-day period that additional time is necessary.

(4) The wage rate (including fringe benefits where appropriate) determined pursuant to paragraphs 1.b.(2) or 1.b.(3) of this section, shall be paid to all workers performing work in the classification under this contract from the first day on which work is performed in the classification.

c. Whenever the minimum wage rate prescribed in the contract for a class of laborers or mechanics includes a fringe benefit which is not expressed as an hourly rate, the contractor shall either pay the benefit as stated in the wage determination or shall pay another bona fide fringe benefit or an hourly cash equivalent thereof.

d. If the contractor does not make payments to a trustee or other third person, the contractor may consider as part of the wages of any laborer or mechanic the amount of any costs reasonably anticipated in providing bona fide fringe benefits under a plan or program. Provided, That the Secretary of Labor has found, upon the written request of the contractor, that the applicable standards of the Davis-Bacon Act have been met. The Secretary of Labor may require the contractor to set aside in a separate account assets for the meeting of obligations under the plan or program.

2. Withholding

The contracting agency shall upon its own action or upon written request of an authorized representative of the Department of Labor, withhold or cause to be withheld from the contractor under this contract, or any other Federal contract with the same prime contractor, or any other federally-assisted contract subject to Davis-Bacon prevailing wage requirements, which is held by the same prime contractor, so much of the accrued payments or advances as may be considered necessary to pay laborers and mechanics, including apprentices, trainees, and helpers, employed by the contractor or any subcontractor the full amount of wages required by the contract. In the event of failure to pay any laborer or mechanic, including any apprentice, trainee, or helper, employed or working on the site of the work, all or part of the wages required by the contract, the contracting agency may, after written notice to the contractor, take such action as may be necessary to cause the suspension of any further payment, advance, or guarantee of funds until such violations have ceased.

3. Payrolls and basic records

a. Payrolls and basic records relating thereto shall be maintained by the contractor during the course of the work and preserved for a period of three years thereafter for all laborers and mechanics working at the site of the work. Such records shall contain the name, address, and social security number of each such worker, his or her correct classification, hourly rates of wages paid (including rates of contributions or costs anticipated for bona fide fringe benefits or cash equivalents thereof of the types described in section 1(b)(2)(B) of the Davis-Bacon Act), daily and weekly number of hours worked, deductions made and actual wages paid. Whenever the Secretary of Labor has found under 29 CFR 5.5(a)(1)(iv) that the wages of any laborer or mechanic include the amount of any costs reasonably anticipated in providing benefits under a plan or program described in section 1(b)(2)(B) of the Davis-

Bacon Act, the contractor shall maintain records which show that the commitment to provide such benefits is enforceable, that the plan or program is financially responsible, and that the plan or program has been communicated in writing to the laborers or mechanics affected, and records which show the costs anticipated or the actual cost incurred in providing such benefits. Contractors employing apprentices or trainees under approved programs shall maintain written evidence of the registration of apprenticeship programs and certification of trainee programs, the registration of the apprentices and trainees, and the ratios and wage rates prescribed in the applicable programs.

b. (1) The contractor shall submit weekly for each week in which any contract work is performed a copy of all payrolls to the contracting agency. The payrolls submitted shall set out accurately and completely all of the information required to be maintained under 29 CFR 5.5(a)(3)(i), except that full social security numbers and home addresses shall not be included on weekly transmittals. Instead the payrolls shall only need to include an individually identifying number for each employee (e.g., the last four digits of the employee's social security number). The required weekly payroll information may be submitted in any form desired. Optional Form WH-347 is available for this purpose from the Wage and Hour Division Web site at <http://www.dol.gov/esa/whd/forms/wh347instr.htm> or its successor site. The prime contractor is responsible for the submission of copies of payrolls by all subcontractors. Contractors and subcontractors shall maintain the full social security number and current address of each covered worker, and shall provide them upon request to the contracting agency for transmission to the State DOT, the FHWA or the Wage and Hour Division of the Department of Labor for purposes of an investigation or audit of compliance with prevailing wage requirements. It is not a violation of this section for a prime contractor to require a subcontractor to provide addresses and social security numbers to the prime contractor for its own records, without weekly submission to the contracting agency..

(2) Each payroll submitted shall be accompanied by a "Statement of Compliance," signed by the contractor or subcontractor or his or her agent who pays or supervises the payment of the persons employed under the contract and shall certify the following:

(i) That the payroll for the payroll period contains the information required to be provided under §5.5 (a)(3)(ii) of Regulations, 29 CFR part 5, the appropriate information is being maintained under §5.5 (a)(3)(i) of Regulations, 29 CFR part 5, and that such information is correct and complete;

(ii) That each laborer or mechanic (including each helper, apprentice, and trainee) employed on the contract during the payroll period has been paid the full weekly wages earned, without rebate, either directly or indirectly, and that no deductions have been made either directly or indirectly from the full wages earned, other than permissible deductions as set forth in Regulations, 29 CFR part 3;

(iii) That each laborer or mechanic has been paid not less than the applicable wage rates and fringe benefits or cash equivalents for the classification of work performed, as specified in the applicable wage determination incorporated into the contract.

(3) The weekly submission of a properly executed certification set forth on the reverse side of Optional Form WH-347 shall satisfy the requirement for submission of the "Statement of Compliance" required by paragraph 3.b.(2) of this section.

(4) The falsification of any of the above certifications may subject the contractor or subcontractor to civil or criminal prosecution under section 1001 of title 18 and section 231 of title 31 of the United States Code.

c. The contractor or subcontractor shall make the records required under paragraph 3.a. of this section available for inspection, copying, or transcription by authorized representatives of the contracting agency, the State DOT, the FHWA, or the Department of Labor, and shall permit such representatives to interview employees during working hours on the job. If the contractor or subcontractor fails to submit the required records or to make them available, the FHWA may, after written notice to the contractor, the contracting agency or the State DOT, take such action as may be necessary to cause the suspension of any further payment, advance, or guarantee of funds. Furthermore, failure to submit the required records upon request or to make such records available may be grounds for debarment action pursuant to 29 CFR 5.12.

4. Apprentices and trainees

a. Apprentices (programs of the USDOL).

Apprentices will be permitted to work at less than the predetermined rate for the work they performed when they are employed pursuant to and individually registered in a bona fide apprenticeship program registered with the U.S. Department of Labor, Employment and Training Administration, Office of Apprenticeship Training, Employer and Labor Services, or with a State Apprenticeship Agency recognized by the Office, or if a person is employed in his or her first 90 days of probationary employment as an apprentice in such an apprenticeship program, who is not individually registered in the program, but who has been certified by the Office of Apprenticeship Training, Employer and Labor Services or a State Apprenticeship Agency (where appropriate) to be eligible for probationary employment as an apprentice.

The allowable ratio of apprentices to journeymen on the job site in any craft classification shall not be greater than the ratio permitted to the contractor as to the entire work force under the registered program. Any worker listed on a payroll at an apprentice wage rate, who is not registered or otherwise employed as stated above, shall be paid not less than the applicable wage rate on the wage determination for the classification of work actually performed. In addition, any apprentice performing work on the job site in excess of the ratio permitted under the registered program shall be paid not less than the applicable wage rate on the wage determination for the work actually performed. Where a contractor is performing construction on a project in a locality other than that in which its program is registered, the ratios and wage rates (expressed in percentages of the journeyman's hourly rate) specified in the contractor's or subcontractor's registered program shall be observed.

Every apprentice must be paid at not less than the rate specified in the registered program for the apprentice's level of progress, expressed as a percentage of the journeymen hourly

rate specified in the applicable wage determination. Apprentices shall be paid fringe benefits in accordance with the provisions of the apprenticeship program. If the apprenticeship program does not specify fringe benefits, apprentices must be paid the full amount of fringe benefits listed on the wage determination for the applicable classification. If the Administrator determines that a different practice prevails for the applicable apprentice classification, fringes shall be paid in accordance with that determination.

In the event the Office of Apprenticeship Training, Employer and Labor Services, or a State Apprenticeship Agency recognized by the Office, withdraws approval of an apprenticeship program, the contractor will no longer be permitted to utilize apprentices at less than the applicable predetermined rate for the work performed until an acceptable program is approved.

b. Trainees (programs of the USDOL).

Except as provided in 29 CFR 5.16, trainees will not be permitted to work at less than the predetermined rate for the work performed unless they are employed pursuant to and individually registered in a program which has received prior approval, evidenced by formal certification by the U.S. Department of Labor, Employment and Training Administration.

The ratio of trainees to journeymen on the job site shall not be greater than permitted under the plan approved by the Employment and Training Administration.

Every trainee must be paid at not less than the rate specified in the approved program for the trainee's level of progress, expressed as a percentage of the journeyman hourly rate specified in the applicable wage determination. Trainees shall be paid fringe benefits in accordance with the provisions of the trainee program. If the trainee program does not mention fringe benefits, trainees shall be paid the full amount of fringe benefits listed on the wage determination unless the Administrator of the Wage and Hour Division determines that there is an apprenticeship program associated with the corresponding journeyman wage rate on the wage determination which provides for less than full fringe benefits for apprentices. Any employee listed on the payroll at a trainee rate who is not registered and participating in a training plan approved by the Employment and Training Administration shall be paid not less than the applicable wage rate on the wage determination for the classification of work actually performed. In addition, any trainee performing work on the job site in excess of the ratio permitted under the registered program shall be paid not less than the applicable wage rate on the wage determination for the work actually performed.

In the event the Employment and Training Administration withdraws approval of a training program, the contractor will no longer be permitted to utilize trainees at less than the applicable predetermined rate for the work performed until an acceptable program is approved.

c. Equal employment opportunity. The utilization of apprentices, trainees and journeymen under this part shall be in conformity with the equal employment opportunity requirements of Executive Order 11246, as amended, and 29 CFR part 30.

d. Apprentices and Trainees (programs of the U.S. DOT).

Apprentices and trainees working under apprenticeship and skill training programs which have been certified by the Secretary of Transportation as promoting EEO in connection with Federal-aid highway construction programs are not subject to the requirements of paragraph 4 of this Section IV. The straight time hourly wage rates for apprentices and trainees under such programs will be established by the particular programs. The ratio of apprentices and trainees to journeymen shall not be greater than permitted by the terms of the particular program.

5. Compliance with Copeland Act requirements. The contractor shall comply with the requirements of 29 CFR part 3, which are incorporated by reference in this contract.

6. Subcontracts. The contractor or subcontractor shall insert Form FHWA-1273 in any subcontracts and also require the subcontractors to include Form FHWA-1273 in any lower tier subcontracts. The prime contractor shall be responsible for the compliance by any subcontractor or lower tier subcontractor with all the contract clauses in 29 CFR 5.5.

7. Contract termination: debarment. A breach of the contract clauses in 29 CFR 5.5 may be grounds for termination of the contract, and for debarment as a contractor and a subcontractor as provided in 29 CFR 5.12.

8. Compliance with Davis-Bacon and Related Act requirements. All rulings and interpretations of the Davis-Bacon and Related Acts contained in 29 CFR parts 1, 3, and 5 are herein incorporated by reference in this contract.

9. Disputes concerning labor standards. Disputes arising out of the labor standards provisions of this contract shall not be subject to the general disputes clause of this contract. Such disputes shall be resolved in accordance with the procedures of the Department of Labor set forth in 29 CFR parts 5, 6, and 7. Disputes within the meaning of this clause include disputes between the contractor (or any of its subcontractors) and the contracting agency, the U.S. Department of Labor, or the employees or their representatives.

10. Certification of eligibility.

a. By entering into this contract, the contractor certifies that neither it (nor he or she) nor any person or firm who has an interest in the contractor's firm is a person or firm ineligible to be awarded Government contracts by virtue of section 3(a) of the Davis-Bacon Act or 29 CFR 5.12(a)(1).

b. No part of this contract shall be subcontracted to any person or firm ineligible for award of a Government contract by virtue of section 3(a) of the Davis-Bacon Act or 29 CFR 5.12(a)(1).

c. The penalty for making false statements is prescribed in the U.S. Criminal Code, 18 U.S.C. 1001.

V. CONTRACT WORK HOURS AND SAFETY STANDARDS ACT

The following clauses apply to any Federal-aid construction contract in an amount in excess of \$100,000 and subject to the overtime provisions of the Contract Work Hours and Safety Standards Act. These clauses shall be inserted in addition to the clauses required by 29 CFR 5.5(a) or 29 CFR 4.6. As used in this paragraph, the terms laborers and mechanics include watchmen and guards.

1. Overtime requirements. No contractor or subcontractor contracting for any part of the contract work which may require or involve the employment of laborers or mechanics shall require or permit any such laborer or mechanic in any workweek in which he or she is employed on such work to work in excess of forty hours in such workweek unless such laborer or mechanic receives compensation at a rate not less than one and one-half times the basic rate of pay for all hours worked in excess of forty hours in such workweek.

2. Violation; liability for unpaid wages; liquidated damages. In the event of any violation of the clause set forth in paragraph (1.) of this section, the contractor and any subcontractor responsible therefor shall be liable for the unpaid wages. In addition, such contractor and subcontractor shall be liable to the United States (in the case of work done under contract for the District of Columbia or a territory, to such District or to such territory), for liquidated damages. Such liquidated damages shall be computed with respect to each individual laborer or mechanic, including watchmen and guards, employed in violation of the clause set forth in paragraph (1.) of this section, in the sum of \$10 for each calendar day on which such individual was required or permitted to work in excess of the standard workweek of forty hours without payment of the overtime wages required by the clause set forth in paragraph (1.) of this section.

3. Withholding for unpaid wages and liquidated damages. The FHWA or the contracting agency shall upon its own action or upon written request of an authorized representative of the Department of Labor withhold or cause to be withheld, from any moneys payable on account of work performed by the contractor or subcontractor under any such contract or any other Federal contract with the same prime contractor, or any other federally-assisted contract subject to the Contract Work Hours and Safety Standards Act, which is held by the same prime contractor, such sums as may be determined to be necessary to satisfy any liabilities of such contractor or subcontractor for unpaid wages and liquidated damages as provided in the clause set forth in paragraph (2.) of this section.

4. Subcontracts. The contractor or subcontractor shall insert in any subcontracts the clauses set forth in paragraph (1.) through (4.) of this section and also a clause requiring the subcontractors to include these clauses in any lower tier subcontracts. The prime contractor shall be responsible for compliance by any subcontractor or lower tier subcontractor with the clauses set forth in paragraphs (1.) through (4.) of this section.

VI. SUBLETTING OR ASSIGNING THE CONTRACT

This provision is applicable to all Federal-aid construction contracts on the National Highway System.

1. The contractor shall perform with its own organization contract work amounting to not less than 30 percent (or a greater percentage if specified elsewhere in the contract) of the total original contract price, excluding any specialty items designated by the contracting agency. Specialty items may be performed by subcontract and the amount of any such specialty items performed may be deducted from the total original contract price before computing the amount of work required to be performed by the contractor's own organization (23 CFR 635.116).

a. The term "perform work with its own organization" refers to workers employed or leased by the prime contractor, and equipment owned or rented by the prime contractor, with or without operators. Such term does not include employees or equipment of a subcontractor or lower tier subcontractor, agents of the prime contractor, or any other assignees. The term may include payments for the costs of hiring leased employees from an employee leasing firm meeting all relevant Federal and State regulatory requirements. Leased employees may only be included in this term if the prime contractor meets all of the following conditions:

(1) the prime contractor maintains control over the supervision of the day-to-day activities of the leased employees;

(2) the prime contractor remains responsible for the quality of the work of the leased employees;

(3) the prime contractor retains all power to accept or exclude individual employees from work on the project; and

(4) the prime contractor remains ultimately responsible for the payment of predetermined minimum wages, the submission of payrolls, statements of compliance and all other Federal regulatory requirements.

b. "Specialty Items" shall be construed to be limited to work that requires highly specialized knowledge, abilities, or equipment not ordinarily available in the type of contracting organizations qualified and expected to bid or propose on the contract as a whole and in general are to be limited to minor components of the overall contract.

2. The contract amount upon which the requirements set forth in paragraph (1) of Section VI is computed includes the cost of material and manufactured products which are to be purchased or produced by the contractor under the contract provisions.

3. The contractor shall furnish (a) a competent superintendent or supervisor who is employed by the firm, has full authority to direct performance of the work in accordance with the contract requirements, and is in charge of all construction operations (regardless of who performs the work) and (b) such other of its own organizational resources (supervision, management, and engineering services) as the contracting officer determines is necessary to assure the performance of the contract.

4. No portion of the contract shall be sublet, assigned or otherwise disposed of except with the written consent of the contracting officer, or authorized representative, and such consent when given shall not be construed to relieve the contractor of any responsibility for the fulfillment of the contract. Written consent will be given only after the contracting agency has assured that each subcontract is

evidenced in writing and that it contains all pertinent provisions and requirements of the prime contract.

5. The 30% self-performance requirement of paragraph (1) is not applicable to design-build contracts; however, contracting agencies may establish their own self-performance requirements.

VII. SAFETY: ACCIDENT PREVENTION

This provision is applicable to all Federal-aid construction contracts and to all related subcontracts.

1. In the performance of this contract the contractor shall comply with all applicable Federal, State, and local laws governing safety, health, and sanitation (23 CFR 635). The contractor shall provide all safeguards, safety devices and protective equipment and take any other needed actions as it determines, or as the contracting officer may determine, to be reasonably necessary to protect the life and health of employees on the job and the safety of the public and to protect property in connection with the performance of the work covered by the contract.

2. It is a condition of this contract, and shall be made a condition of each subcontract, which the contractor enters into pursuant to this contract, that the contractor and any subcontractor shall not permit any employee, in performance of the contract, to work in surroundings or under conditions which are unsanitary, hazardous or dangerous to his/her health or safety, as determined under construction safety and health standards (29 CFR 1926) promulgated by the Secretary of Labor, in accordance with Section 107 of the Contract Work Hours and Safety Standards Act (40 U.S.C. 3704).

3. Pursuant to 29 CFR 1926.3, it is a condition of this contract that the Secretary of Labor or authorized representative thereof, shall have right of entry to any site of contract performance to inspect or investigate the matter of compliance with the construction safety and health standards and to carry out the duties of the Secretary under Section 107 of the Contract Work Hours and Safety Standards Act (40 U.S.C.3704).

VIII. FALSE STATEMENTS CONCERNING HIGHWAY PROJECTS

This provision is applicable to all Federal-aid construction contracts and to all related subcontracts.

In order to assure high quality and durable construction in conformity with approved plans and specifications and a high degree of reliability on statements and representations made by engineers, contractors, suppliers, and workers on Federal-aid highway projects, it is essential that all persons concerned with the project perform their functions as carefully, thoroughly, and honestly as possible. Willful falsification, distortion, or misrepresentation with respect to any facts related to the project is a violation of Federal law. To prevent any misunderstanding regarding the seriousness of these and similar acts, Form FHWA-1022 shall be posted on each Federal-aid highway project (23 CFR 635) in one or more places where it is readily available to all persons concerned with the project:

18 U.S.C. 1020 reads as follows:

"Whoever, being an officer, agent, or employee of the United States, or of any State or Territory, or whoever, whether a person, association, firm, or corporation, knowingly makes any false statement, false representation, or false report as to the character, quality, quantity, or cost of the material used or to be used, or the quantity or quality of the work performed or to be performed, or the cost thereof in connection with the submission of plans, maps, specifications, contracts, or costs of construction on any highway or related project submitted for approval to the Secretary of Transportation; or

Whoever knowingly makes any false statement, false representation, false report or false claim with respect to the character, quality, quantity, or cost of any work performed or to be performed, or materials furnished or to be furnished, in connection with the construction of any highway or related project approved by the Secretary of Transportation; or

Whoever knowingly makes any false statement or false representation as to material fact in any statement, certificate, or report submitted pursuant to provisions of the Federal-aid Roads Act approved July 1, 1916, (39 Stat. 355), as amended and supplemented;

Shall be fined under this title or imprisoned not more than 5 years or both."

IX. IMPLEMENTATION OF CLEAN AIR ACT AND FEDERAL WATER POLLUTION CONTROL ACT

This provision is applicable to all Federal-aid construction contracts and to all related subcontracts.

By submission of this bid/proposal or the execution of this contract, or subcontract, as appropriate, the bidder, proposer, Federal-aid construction contractor, or subcontractor, as appropriate, will be deemed to have stipulated as follows:

1. That any person who is or will be utilized in the performance of this contract is not prohibited from receiving an award due to a violation of Section 508 of the Clean Water Act or Section 306 of the Clean Air Act.

2. That the contractor agrees to include or cause to be included the requirements of paragraph (1) of this Section X in every subcontract, and further agrees to take such action as the contracting agency may direct as a means of enforcing such requirements.

X. CERTIFICATION REGARDING DEBARMENT, SUSPENSION, INELIGIBILITY AND VOLUNTARY EXCLUSION

This provision is applicable to all Federal-aid construction contracts, design-build contracts, subcontracts, lower-tier subcontracts, purchase orders, lease agreements, consultant contracts or any other covered transaction requiring FHWA approval or that is estimated to cost \$25,000 or more – as defined in 2 CFR Parts 180 and 1200.

1. Instructions for Certification – First Tier Participants:

a. By signing and submitting this proposal, the prospective first tier participant is providing the certification set out below.

b. The inability of a person to provide the certification set out below will not necessarily result in denial of participation in this

covered transaction. The prospective first tier participant shall submit an explanation of why it cannot provide the certification set out below. The certification or explanation will be considered in connection with the department or agency's determination whether to enter into this transaction. However, failure of the prospective first tier participant to furnish a certification or an explanation shall disqualify such a person from participation in this transaction.

c. The certification in this clause is a material representation of fact upon which reliance was placed when the contracting agency determined to enter into this transaction. If it is later determined that the prospective participant knowingly rendered an erroneous certification, in addition to other remedies available to the Federal Government, the contracting agency may terminate this transaction for cause of default.

d. The prospective first tier participant shall provide immediate written notice to the contracting agency to whom this proposal is submitted if any time the prospective first tier participant learns that its certification was erroneous when submitted or has become erroneous by reason of changed circumstances.

e. The terms "covered transaction," "debarred," "suspended," "ineligible," "participant," "person," "principal," and "voluntarily excluded," as used in this clause, are defined in 2 CFR Parts 180 and 1200. "First Tier Covered Transactions" refers to any covered transaction between a grantee or subgrantee of Federal funds and a participant (such as the prime or general contract). "Lower Tier Covered Transactions" refers to any covered transaction under a First Tier Covered Transaction (such as subcontracts). "First Tier Participant" refers to the participant who has entered into a covered transaction with a grantee or subgrantee of Federal funds (such as the prime or general contractor). "Lower Tier Participant" refers any participant who has entered into a covered transaction with a First Tier Participant or other Lower Tier Participants (such as subcontractors and suppliers).

f. The prospective first tier participant agrees by submitting this proposal that, should the proposed covered transaction be entered into, it shall not knowingly enter into any lower tier covered transaction with a person who is debarred, suspended, declared ineligible, or voluntarily excluded from participation in this covered transaction, unless authorized by the department or agency entering into this transaction.

g. The prospective first tier participant further agrees by submitting this proposal that it will include the clause titled "Certification Regarding Debarment, Suspension, Ineligibility and Voluntary Exclusion-Lower Tier Covered Transactions," provided by the department or contracting agency, entering into this covered transaction, without modification, in all lower tier covered transactions and in all solicitations for lower tier covered transactions exceeding the \$25,000 threshold.

h. A participant in a covered transaction may rely upon a certification of a prospective participant in a lower tier covered transaction that is not debarred, suspended, ineligible, or voluntarily excluded from the covered transaction, unless it knows that the certification is erroneous. A participant is responsible for ensuring that its principals are not suspended, debarred, or otherwise ineligible to participate in covered transactions. To verify the eligibility of its principals, as well as the eligibility of any lower tier prospective participants, each participant may, but is not required to, check the Excluded Parties List System website (<https://www.epls.gov/>), which is compiled by the General Services Administration.

i. Nothing contained in the foregoing shall be construed to require the establishment of a system of records in order to render in good faith the certification required by this clause. The knowledge and information of the prospective participant is not required to exceed that which is normally possessed by a prudent person in the ordinary course of business dealings.

j. Except for transactions authorized under paragraph (f) of these instructions, if a participant in a covered transaction knowingly enters into a lower tier covered transaction with a person who is suspended, debarred, ineligible, or voluntarily excluded from participation in this transaction, in addition to other remedies available to the Federal Government, the department or agency may terminate this transaction for cause or default.

2. Certification Regarding Debarment, Suspension, Ineligibility and Voluntary Exclusion – First Tier Participants:

a. The prospective first tier participant certifies to the best of its knowledge and belief, that it and its principals:

(1) Are not presently debarred, suspended, proposed for debarment, declared ineligible, or voluntarily excluded from participating in covered transactions by any Federal department or agency;

(2) Have not within a three-year period preceding this proposal been convicted of or had a civil judgment rendered against them for commission of fraud or a criminal offense in connection with obtaining, attempting to obtain, or performing a public (Federal, State or local) transaction or contract under a public transaction; violation of Federal or State antitrust statutes or commission of embezzlement, theft, forgery, bribery, falsification or destruction of records, making false statements, or receiving stolen property;

(3) Are not presently indicted for or otherwise criminally or civilly charged by a governmental entity (Federal, State or local) with commission of any of the offenses enumerated in paragraph (a)(2) of this certification; and

(4) Have not within a three-year period preceding this application/proposal had one or more public transactions (Federal, State or local) terminated for cause or default.

b. Where the prospective participant is unable to certify to any of the statements in this certification, such prospective participant shall attach an explanation to this proposal.

2. Instructions for Certification - Lower Tier Participants:

(Applicable to all subcontracts, purchase orders and other lower tier transactions requiring prior FHWA approval or estimated to cost \$25,000 or more - 2 CFR Parts 180 and 1200)

a. By signing and submitting this proposal, the prospective lower tier is providing the certification set out below.

b. The certification in this clause is a material representation of fact upon which reliance was placed when this transaction was entered into. If it is later determined that the prospective lower tier participant knowingly rendered an erroneous certification, in addition to other remedies available to the Federal Government, the department, or agency with which

this transaction originated may pursue available remedies, including suspension and/or debarment.

c. The prospective lower tier participant shall provide immediate written notice to the person to which this proposal is submitted if at any time the prospective lower tier participant learns that its certification was erroneous by reason of changed circumstances.

d. The terms "covered transaction," "debarred," "suspended," "ineligible," "participant," "person," "principal," and "voluntarily excluded," as used in this clause, are defined in 2 CFR Parts 180 and 1200. You may contact the person to which this proposal is submitted for assistance in obtaining a copy of those regulations. "First Tier Covered Transactions" refers to any covered transaction between a grantee or subgrantee of Federal funds and a participant (such as the prime or general contract). "Lower Tier Covered Transactions" refers to any covered transaction under a First Tier Covered Transaction (such as subcontracts). "First Tier Participant" refers to the participant who has entered into a covered transaction with a grantee or subgrantee of Federal funds (such as the prime or general contractor). "Lower Tier Participant" refers any participant who has entered into a covered transaction with a First Tier Participant or other Lower Tier Participants (such as subcontractors and suppliers).

e. The prospective lower tier participant agrees by submitting this proposal that, should the proposed covered transaction be entered into, it shall not knowingly enter into any lower tier covered transaction with a person who is debarred, suspended, declared ineligible, or voluntarily excluded from participation in this covered transaction, unless authorized by the department or agency with which this transaction originated.

f. The prospective lower tier participant further agrees by submitting this proposal that it will include this clause titled "Certification Regarding Debarment, Suspension, Ineligibility and Voluntary Exclusion-Lower Tier Covered Transaction," without modification, in all lower tier covered transactions and in all solicitations for lower tier covered transactions exceeding the \$25,000 threshold.

g. A participant in a covered transaction may rely upon a certification of a prospective participant in a lower tier covered transaction that is not debarred, suspended, ineligible, or voluntarily excluded from the covered transaction, unless it knows that the certification is erroneous. A participant is responsible for ensuring that its principals are not suspended, debarred, or otherwise ineligible to participate in covered transactions. To verify the eligibility of its principals, as well as the eligibility of any lower tier prospective participants, each participant may, but is not required to, check the Excluded Parties List System website (<https://www.epls.gov/>), which is compiled by the General Services Administration.

h. Nothing contained in the foregoing shall be construed to require establishment of a system of records in order to render in good faith the certification required by this clause. The knowledge and information of participant is not required to exceed that which is normally possessed by a prudent person in the ordinary course of business dealings.

i. Except for transactions authorized under paragraph e of these instructions, if a participant in a covered transaction knowingly enters into a lower tier covered transaction with a person who is suspended, debarred, ineligible, or voluntarily excluded from participation in this transaction, in addition to other remedies available to the Federal Government, the

department or agency with which this transaction originated may pursue available remedies, including suspension and/or debarment.

* * * * *

Certification Regarding Debarment, Suspension, Ineligibility and Voluntary Exclusion--Lower Tier Participants:

1. The prospective lower tier participant certifies, by submission of this proposal, that neither it nor its principals is presently debarred, suspended, proposed for debarment, declared ineligible, or voluntarily excluded from participating in covered transactions by any Federal department or agency.

2. Where the prospective lower tier participant is unable to certify to any of the statements in this certification, such prospective participant shall attach an explanation to this proposal.

* * * * *

XI. CERTIFICATION REGARDING USE OF CONTRACT FUNDS FOR LOBBYING

This provision is applicable to all Federal-aid construction contracts and to all related subcontracts which exceed \$100,000 (49 CFR 20).

1. The prospective participant certifies, by signing and submitting this bid or proposal, to the best of his or her knowledge and belief, that:

a. No Federal appropriated funds have been paid or will be paid, by or on behalf of the undersigned, to any person for influencing or attempting to influence an officer or employee of any Federal agency, a Member of Congress, an officer or employee of Congress, or an employee of a Member of Congress in connection with the awarding of any Federal contract, the making of any Federal grant, the making of any Federal loan, the entering into of any cooperative agreement, and the extension, continuation, renewal, amendment, or modification of any Federal contract, grant, loan, or cooperative agreement.

b. If any funds other than Federal appropriated funds have been paid or will be paid to any person for influencing or attempting to influence an officer or employee of any Federal agency, a Member of Congress, an officer or employee of Congress, or an employee of a Member of Congress in connection with this Federal contract, grant, loan, or cooperative agreement, the undersigned shall complete and submit Standard Form-LLL, "Disclosure Form to Report Lobbying," in accordance with its instructions.

2. This certification is a material representation of fact upon which reliance was placed when this transaction was made or entered into. Submission of this certification is a prerequisite for making or entering into this transaction imposed by 31 U.S.C. 1352. Any person who fails to file the required certification shall be subject to a civil penalty of not less than \$10,000 and not more than \$100,000 for each such failure.

3. The prospective participant also agrees by submitting its bid or proposal that the participant shall require that the language of this certification be included in all lower tier subcontracts, which exceed \$100,000 and that all such recipients shall certify and disclose accordingly.

**ATTACHMENT A - EMPLOYMENT AND MATERIALS
PREFERENCE FOR APPALACHIAN DEVELOPMENT
HIGHWAY SYSTEM OR APPALACHIAN LOCAL ACCESS
ROAD CONTRACTS**

This provision is applicable to all Federal-aid projects funded under the Appalachian Regional Development Act of 1965.

1. During the performance of this contract, the contractor undertaking to do work which is, or reasonably may be, done as on-site work, shall give preference to qualified persons who regularly reside in the labor area as designated by the DOL wherein the contract work is situated, or the subregion, or the Appalachian counties of the State wherein the contract work is situated, except:

a. To the extent that qualified persons regularly residing in the area are not available.

b. For the reasonable needs of the contractor to employ supervisory or specially experienced personnel necessary to assure an efficient execution of the contract work.

c. For the obligation of the contractor to offer employment to present or former employees as the result of a lawful collective bargaining contract, provided that the number of nonresident persons employed under this subparagraph (1c) shall not exceed 20 percent of the total number of employees employed by the contractor on the contract work, except as provided in subparagraph (4) below.

2. The contractor shall place a job order with the State Employment Service indicating (a) the classifications of the laborers, mechanics and other employees required to perform the contract work, (b) the number of employees required in each classification, (c) the date on which the participant estimates such employees will be required, and (d) any other pertinent information required by the State Employment Service to complete the job order form. The job order may be placed with the State Employment Service in writing or by telephone. If during the course of the contract work, the information submitted by the contractor in the original job order is substantially modified, the participant shall promptly notify the State Employment Service.

3. The contractor shall give full consideration to all qualified job applicants referred to him by the State Employment Service. The contractor is not required to grant employment to any job applicants who, in his opinion, are not qualified to perform the classification of work required.

4. If, within one week following the placing of a job order by the contractor with the State Employment Service, the State Employment Service is unable to refer any qualified job applicants to the contractor, or less than the number requested, the State Employment Service will forward a certificate to the contractor indicating the unavailability of applicants. Such certificate shall be made a part of the contractor's permanent project records. Upon receipt of this certificate, the contractor may employ persons who do not normally reside in the labor area to fill positions covered by the certificate, notwithstanding the provisions of subparagraph (1c) above.

5. The provisions of 23 CFR 633.207(e) allow the contracting agency to provide a contractual preference for the use of mineral resource materials native to the Appalachian region.

6. The contractor shall include the provisions of Sections 1 through 4 of this Attachment A in every subcontract for work which is, or reasonably may be, done as on-site work.

**KENTUCKY TRANSPORTATION CABINET
DEPARTMENT OF HIGHWAYS**

**EMPLOYMENT REQUIREMENTS
RELATING TO
NONDISCRIMINATION OF EMPLOYEES
(APPLICABLE TO FEDERAL-AID SYSTEM CONTRACTS)**

**AN ACT OF THE KENTUCKY GENERAL ASSEMBLY
TO PREVENT DISCRIMINATION IN EMPLOYMENT**

**KRS CHAPTER 344
EFFECTIVE JUNE 16, 1972**

The contract on this project, in accordance with KRS Chapter 344, provides that during the performance of this contract, the contractor agrees as follows:

1. The contractor shall not fail or refuse to hire, or shall not discharge any individual, or otherwise discriminate against an individual with respect to his compensation, terms, conditions, or privileges of employment, because of such individual's race, color, religion, national origin, sex, disability or age (forty and above); or limit, segregate, or classify his employees in any way which would deprive or tend to deprive an individual of employment opportunities or otherwise adversely affect his status as an employee, because of such individual's race, color, religion, national origin, sex, disability or age forty (40) and over. The contractor agrees to post in conspicuous places, available to employees and applicants for employment, notices to be provided setting forth the provisions of this nondiscrimination clause.

2. The contractor shall not print or publish or cause to be printed or published a notice or advertisement relating to employment by such an employer or membership in or any classification or referral for employment by the employment agency, indicating any preference, limitation, specification, or discrimination, based on race, color, religion, national origin, sex, or age forty (40) and over, or because the person is a qualified individual with a disability, except that such a notice or advertisement may indicate a preference, limitation, or specification based on religion, national origin, sex, or age forty (40) and over, or because the person is a qualified individual with a disability, when religion, national origin, sex, or age forty (40) and over, or because the person is a qualified individual with a disability, is a bona fide occupational qualification for employment.

3. If the contractor is in control of apprenticeship or other training or retraining, including on-the-job training programs, he shall not discriminate against an individual because of his race, color, religion, national origin, sex, disability or age forty (40) and over, in admission to, or employment in any program established to provide apprenticeship or other training.

4. The contractor will send to each labor union or representative of workers with which he has a collective bargaining agreement or other contract or understanding, a notice to be provided advising the said labor union or workers' representative of the contractor's commitments under this section, and shall post copies of the notice in conspicuous places available to employees and applicants for employment. The contractor will take such action with respect to any subcontract or purchase order as the administering agency may direct as a means of enforcing such provisions, including sanctions for non-compliance.

Revised: January 25, 2017

Standard Title VI/Non-Discrimination Assurances

During the performance of this contract, the contractor, for itself, its assignees, and successors in interest (hereinafter referred to as the “contractor”) agrees as follows:

1. **Compliance with Regulations:** The contractor (hereinafter includes consultants) will comply with the Acts and the Regulations relative to Non-discrimination in Federally-assisted programs of the U.S. Department of Transportation, **Federal Highway Administration**, as they may be amended from time to time, which are herein incorporated by reference and made a part of this contract.
2. **Non-discrimination:** The contractor, with regard to the work performed by it during the contract, will not discriminate on the grounds of race, color, or national origin in the selection and retention of subcontractors, including procurements of materials and leases of equipment. The contractor will not participate directly or indirectly in the discrimination prohibited by the Acts and the Regulations, including employment practices when the contract covers any activity, project, or program set forth in Appendix B of 49 CFR Part 21.
3. **Solicitations for Subcontracts, Including Procurements of Materials and Equipment:** In all solicitations, either by competitive bidding, or negotiation made by the contractor for work to be performed under a subcontract, including procurements of materials, or leases of equipment, each potential subcontractor or supplier will be notified by the contractor of the contractor’s obligations under this contract and the Acts and the Regulations relative to Non-discrimination on the grounds of race, color, or national origin.
4. **Information and Reports:** The contractor will provide all information and reports required by the Acts, the Regulations, and directives issued pursuant thereto and will permit access to its books, records, accounts, other sources of information, and its facilities as may be determined by the Recipient or the **Federal Highway Administration** to be pertinent to ascertain compliance with such Acts, Regulations, and instructions. Where any information required of a contractor is in the exclusive possession of another who fails or refuses to furnish the information, the contractor will so certify to the Recipient or the **Federal Highway Administration**, as appropriate, and will set forth what efforts it has made to obtain the information.
5. **Sanctions for Noncompliance:** In the event of a contractor’s noncompliance with the Non-discrimination provisions of this contract, the Recipient will impose such contract sanctions as it or the **Federal Highway Administration** may determine to be appropriate, including, but not limited to:
 - a. withholding payments to the contractor under the contract until the contractor complies; and/or
 - b. cancelling, terminating, or suspending a contract, in whole or in part.
6. **Incorporation of Provisions:** The contractor will include the provisions of paragraphs one through six in every subcontract, including procurements of materials and leases of equipment, unless exempt by the Acts, the Regulations and directives issued pursuant thereto. The contractor will take action with respect to any subcontract or procurement as the Recipient or the **Federal Highway Administration** may direct as a means of enforcing such provisions including sanctions for noncompliance. Provided, that if the contractor becomes involved in, or is threatened with litigation by a subcontractor, or supplier because of such direction, the contractor may request the Recipient to enter into any litigation to protect the interests of the Recipient. In addition, the contractor may request the United States to enter into the litigation to protect the interests of the United States.

Standard Title VI/Non-Discrimination Statutes and Authorities

During the performance of this contract, the contractor, for itself, its assignees, and successors in interest (hereinafter referred to as the “contractor”) agrees to comply with the following non-discrimination statutes and authorities; including but not limited to:

- Title VI of the Civil Rights Act of 1964 (42 U.S.C. § 2000d *et seq.*, 78 stat. 252), (prohibits discrimination on the basis of race, color, national origin); and 49 CFR Part 21;
- The Uniform Relocation Assistance and Real Property Acquisition Policies Act of 1970, (42 U.S.C. § 4601), (prohibits unfair treatment of persons displaced or whose property has been acquired because of Federal or Federal-aid programs and projects);
- Federal-Aid Highway Act of 1973, (23 U.S.C. § 324 *et seq.*), (prohibits discrimination on the basis of sex);
- Section 504 of the Rehabilitation Act of 1973, (29 U.S.C. § 794 *et seq.*), as amended, (prohibits discrimination on the basis of disability); and 49 CFR Part 27;
- The Age Discrimination Act of 1975, as amended, (42 U.S.C. § 6101 *et seq.*), (prohibits discrimination on the basis of age);
- Airport and Airway Improvement Act of 1982, (49 USC § 471, Section 47123), as amended, (prohibits discrimination based on race, creed, color, national origin, or sex);
- The Civil Rights Restoration Act of 1987, (PL 100-209), (Broadened the scope, coverage and applicability of Title VI of the Civil Rights Act of 1964, The Age Discrimination Act of 1975 and Section 504 of the Rehabilitation Act of 1973, by expanding the definition of the terms “programs or activities” to include all of the programs or activities of the Federal-aid recipients, sub-recipients and contractors, whether such programs or activities are Federally funded or not);
- Titles II and III of the Americans with Disabilities Act, which prohibit discrimination on the basis of disability in the operation of public entities, public and private transportation systems, places of public accommodation, and certain testing entities (42 U.S.C. §§ 12131 -- 12189) as implemented by Department of Transportation regulations at 49 C.F.R. parts 37 and 38;
- The Federal Aviation Administration’s Non-discrimination statute (49 U.S.C. § 47123) (prohibits discrimination on the basis of race, color, national origin, and sex);
- Executive Order 12898, Federal Actions to Address Environmental Justice in Minority Populations and Low-Income Populations, which ensures non-discrimination against minority populations by discouraging programs, policies, and activities with disproportionately high and adverse human health or environmental effects on minority and low-income populations;
- Executive Order 13166, Improving Access to Services for Persons with Limited English Proficiency, and resulting agency guidance, national origin discrimination includes discrimination because of limited English proficiency (LEP). To ensure compliance with Title VI, you must take reasonable steps to ensure that LEP persons have meaningful access to your programs (70 Fed. Reg. at 74087 to 74100);
- Title IX of the Education Amendments of 1972, as amended, which prohibits you from discriminating because of sex in education programs or activities (20 U.S.C. 1681 *et seq.*)

EXECUTIVE BRANCH CODE OF ETHICS

In the 1992 regular legislative session, the General Assembly passed and Governor Brereton Jones signed Senate Bill 63 (codified as KRS 11A), the Executive Branch Code of Ethics, which states, in part:

KRS 11A.040 (7) provides:

No present or former public servant shall, within six (6) months following termination of his office or employment, accept employment, compensation, or other economic benefit from any person or business that contracts or does business with, or is regulated by, the state in matters in which he was directly involved during the last thirty-six (36) months of his tenure. This provision shall not prohibit an individual from returning to the same business, firm, occupation, or profession in which he was involved prior to taking office or beginning his term of employment, or for which he received, prior to his state employment, a professional degree or license, provided that, for a period of six (6) months, he personally refrains from working on any matter in which he was directly involved during the last thirty-six (36) months of his tenure in state government. This subsection shall not prohibit the performance of ministerial functions, including but not limited to filing tax returns, filing applications for permits or licenses, or filing incorporation papers, nor shall it prohibit the former officer or public servant from receiving public funds disbursed through entitlement programs.

KRS 11A.040 (9) states:

A former public servant shall not represent a person or business before a state agency in a matter in which the former public servant was directly involved during the last thirty-six (36) months of his tenure, for a period of one (1) year after the latter of:

- a) The date of leaving office or termination of employment; or
- b) The date the term of office expires to which the public servant was elected.

This law is intended to promote public confidence in the integrity of state government and to declare as public policy the idea that state employees should view their work as a public trust and not as a way to obtain private benefits.

If you have worked for the executive branch of state government within the past six months, you may be subject to the law's prohibitions. The law's applicability may be different if you hold elected office or are contemplating representation of another before a state agency.

Also, if you are affiliated with a firm which does business with the state and which employs former state executive-branch employees, you should be aware that the law may apply to them.

In case of doubt, the law permits you to request an advisory opinion from the Executive Branch Ethics Commission, 3 Fountain Place, Frankfort, Kentucky 40601; telephone (502) 564-7954.

Revised: January 27, 2017

"General Decision Number: KY20200039 08/14/2020

Superseded General Decision Number: KY20190039

State: Kentucky

Construction Type: Highway

Counties: Boone, Campbell, Kenton and Pendleton Counties in Kentucky.

HIGHWAY CONSTRUCTION PROJECTS (excluding tunnels, building structures in rest area projects & railroad construction; bascule, suspension & spandrel arch bridges designed for commercial navigation, bridges involving marine construction; and other major bridges).

Note: Under Executive Order (EO) 13658, an hourly minimum wage of \$10.80 for calendar year 2020 applies to all contracts subject to the Davis-Bacon Act for which the contract is awarded (and any solicitation was issued) on or after January 1, 2015. If this contract is covered by the EO, the contractor must pay all workers in any classification listed on this wage determination at least \$10.80 per hour (or the applicable wage rate listed on this wage determination, if it is higher) for all hours spent performing on the contract in calendar year 2020. If this contract is covered by the EO and a classification considered necessary for performance of work on the contract does not appear on this wage determination, the contractor must pay workers in that classification at least the wage rate determined through the conformance process set forth in 29 CFR 5.5(a)(1)(ii) (or the EO minimum wage rate, if it is higher than the conformed wage rate). The EO minimum wage rate will be adjusted annually. Please note that this EO applies to the above-mentioned types of contracts entered into by the federal government that are subject to the Davis-Bacon Act itself, but it does not apply to contracts subject only to the Davis-Bacon Related Acts, including those set forth at 29 CFR 5.1(a)(2)-(60). Additional information on contractor requirements and worker protections under the EO is available at www.dol.gov/whd/govcontracts.

Modification Number	Publication Date
0	01/03/2020
1	08/14/2020

BRKY0002-005 06/01/2017

	Rates	Fringes
BRICKLAYER.....	\$ 27.81	13.01

BROH0001-005 06/01/2008

	Rates	Fringes
CEMENT MASON/CONCRETE FINISHER...	\$ 25.75	8.60

CARP0698-001 05/01/2014

BOONE, CAMPBELL, KENTON & PENDLETON COUNTIES:

	Rates	Fringes
Carpenter & Piledrivermen.....	\$ 27.27	14.59
Diver.....	\$ 40.58	9.69

ELEC0212-007 06/03/2019

	Rates	Fringes
ELECTRICIAN.....	\$ 30.18	18.89

ELEC0212-013 11/26/2018

	Rates	Fringes
Sound & Communication Technician.....	\$ 24.35	10.99

ENGI0018-013 05/01/2019

	Rates	Fringes
POWER EQUIPMENT OPERATOR		
GROUP 1.....	\$ 37.39	14.95
GROUP 2.....	\$ 37.27	14.95
GROUP 3.....	\$ 36.23	14.95
GROUP 4.....	\$ 35.05	14.95
GROUP 5.....	\$ 29.59	14.95
GROUP 6.....	\$ 37.64	14.95
GROUP 7.....	\$ 37.89	14.95

OPERATING ENGINEER CLASSIFICATIONS

GROUP 1 - Air Compressor on Steel Erection; Barrier Moving Machine; Boiler Operator on Compressor or Generator when mounted on a Rig; Cableway; Combination Concrete Mixer & Tower; Concrete Plant (over 4 yd. Capacity); Concrete Pump; Crane (All Types, Including Boom Truck, Cherry Picker); Crane-Compact, Track or Rubber over 4,000 lbs. capacity; Cranes-Self Erecting, Stationary, Track or Truck (All Configurations); Derrick; Dragline; Dredge (Dipper, Clam or Suction); Elevating Grader or Euclid Loader; Floating Equipment (All Types); Gradall; Helicopter Crew (Operator-Hoist or Winch); Hoe (all types); Hoisting Engine on Shaft or Tunnel Work; Hydraulic Gantry (Lifting System); Industrial-Type Tractor; Jet Engine Dryer (D8 or D9) Diesel Tractor; Locomotive (Standard Gauge); Maintenance Operator Class A; Mixer, Paving (Single or Double Drum); Mucking Machine; Multiple Scraper; Piledriving Machine (All Types); Power Shovel; Prentice Loader; Quad 9 (Double Pusher); Rail Tamper (with auto lifting & aligning device); Refrigerating Machine (Freezer Operation); Rotary Drill, on Caisson work; Rough Terrain Fork Lift with Winch/Hoist; Side-Boom; Slip-Form Paver; Tower Derrick; Tree Shredder; Trench Machine (Over 24" wide); Truck Mounted Concrete Pump; Tug Boat; Tunnel Machine and/or Mining Machine; & Wheel Excavator

GROUP 2 - Asphalt Paver; Automatic Subgrader Machine, Self-Propelled (CMI Type); Bobcat Type and/or Skid Steer Loader with Hoe Attachment Greater than 7,000 lbs.; Boring Machine More than 48"; Bulldozer; Endloader; Hydro Milling Machine; Horizontal Directional Drill (over 500,000 ft. lbs. thrust); Kolman-type Loader (production type-Dirt);

Lead Greaseman; Lighting & Traffic Signal Installation Equipment (includes all groups or classifications); Material Transfer Equipment (Shuttle Buggy) Asphalt; Pettibone-Rail Equipment; Power Grader; Power Scraper; Push Cat; Rotomill (all), Grinders & Planers of All types; Trench Machine (24" wide & under); & Vermeer type Concrete Saw

GROUP 3 - A-Frame; Air Compressor on Tunnel Work (low pressure); Asphalt Plant Engineer; Bobcat-type and/or Skid Steer Loader with or without Attachments; Highway Drills (all types); Locomotive (narrow gauge); Material Hoist/Elevator; Mixer, Concrete (more than one bag capacity); Mixer, one bag capacity (Side Loader); Power Boiler (Over 15 lbs. Pressure) Pump Operator installing & operating Well Points; Pump (4" & over discharge); Roller, Asphalt; Rotovator (lime soil stabilizer); Switch & Tie Tampers (without lifting & aligning device); Utility Operator (Small equipment); & Welding Machines

GROUP 4 - Backfiller; Ballast Re-locator; Bars, Joint & Mesh Installing Machine; Batch Plant; Boring Machine Operator (48" or less); Bull Floats; Burlap & Curing Machine; Concrete Plant (capacity 4 yd. & under); Concrete Saw (Multiple); Conveyor (Highway); Crusher; Deckhand; Farm-type Tractor with attachments (highway) except Masonry); Finishing Machine; Fireperson, Floating Equipment (all types); Fork Lift (highway); Form Trencher; Hydro Hammer; Hydro Seeder; Pavement Breaker; Plant Mixer; Post Driver; Post Hole Digger (Power Auger); Power Brush Burner; Power Form Handling Equipment; Road Widening Trencher; Roller (Brick, Grade & Macadam); Self-Propelled Power Spreader; Self-Propelled Power Subgrader; Steam Fireperson; Tractor (Pulling Sheepfoot, Roller or Grader); & Vibratory Compactor with Integral Power

GROUP 5 - Compressor (Portable, Sewer, Heavy & Highway); Drum Fireperson (Asphalt); Generator; Masonry Fork Lift; Inboard-Outboard Motor Boat Launch; Masonry Fork Lift; Oil Heater (asphalt plant); Oiler; Power Driven Heater; Power Sweeper & Scrubber; Pump (under 4" discharge); Signalperson; Tire Repairperson; & VAC/ALLS

GROUP 6 - Master Mechanic & Boom from 150 to 180

GROUP 7 - Boom from 180 and over

 * IRON0044-008 06/01/2020

	Rates	Fringes
Ironworkers:		
Fence Erector.....	\$ 28.95	21.20
Structural.....	\$ 30.47	21.20

 * IRON0044-018 06/01/2020

	Rates	Fringes
IRONWORKER, REINFORCING.....	\$ 30.47	21.20

 LABO0189-004 07/01/2018

PENDLETON COUNTY:

	Rates	Fringes
LABORER		
GROUP 1.....	\$ 23.07	14.21
GROUP 2.....	\$ 23.32	14.21
GROUP 3.....	\$ 23.37	14.21
GROUP 4.....	\$ 23.97	14.21

LABORERS CLASSIFICATIONS

GROUP 1 - Aging & Curing of Concrete; Asbestos Abatement Worker; Asphalt Plant; Asphalt; Batch Truck Dump; Carpenter Tender; Cement Mason Tender; Cleaning of Machines; Concrete; Demolition; Dredging; Environmental - Nuclear, Radiation, Toxic & Hazardous Waste - Level D; Flagperson; Grade Checker; Hand Digging & Hand Back Filling; Highway Marker Placer; Landscaping, Mesh Handler & Placer; Puddler; Railroad; Rip-rap & Grouter; Right-of-Way; Sign, Guard Rail & Fence Installer; Signal Person; Sound Barrier Installer; Storm & Sanitary Sewer; Swamper; Truck Spotter & Dumper; Wrecking of Concrete Forms; General Cleanup

GROUP 2 - Batter Board Man (Sanitary & Storm Sewer); Brickmason Tender; Mortar Mixer Operator; Scaffold Builder; Burner & Welder; Bushhammer; Chain Saw Operator; Concrete Saw Operator; Deckhand Scow Man; Dry Cement Handler; Environmental - Nuclear, Radiation, Toxic & Hazardous Waste - Level C; Forklift Operator for Masonary; Form Setter; Green Concrete Cutting; Hand Operated Grouter & Grinder Machine Operator; Jackhammer; Pavement Breaker; Paving Joint Machine; Pipelayer; Plastic Pipe Fusion; Power Driven Georgia Buggy & Wheel Barrow; Power Post Hole Digger; Precast Manhole Setter; Walk-Behind Tamper; Walk-Behind Trencher; Sand Blaster; Concrete Chipper; Surface Grinder; Vibrator Operator; Wagon Driller

GROUP 3 - Asphalt Luteman & Raker; Gunnite Nozzleman; Gunnite Operator & Mixer; Grout Pump Operator; Side Rail Setter; Rail Paved Ditches; Screw Operator; Tunnel (Free Air); Water Blaster

GROUP 4 - Caisson Worker (Free Air); Cement Finisher; Environmental - Nuclear, Radiation, Toxic & Hazardous Waste - Levels A & B; Miner & Driller (Free Air); Tunnel Blaster; & Tunnel Mucker (Free Air); Directional & Horizontal Boring; Air Track Driller (All Types); Powderman & Blaster; Troxler & Concrete Tester if Laborer is Utilized

LABO0265-009 05/01/2018

BOONE, CAMPBELL & KENTON COUNTIES:

	Rates	Fringes
LABORER		
GROUP 1.....	\$ 30.62	10.95
GROUP 2.....	\$ 30.79	10.95
GROUP 3.....	\$ 31.12	10.95
GROUP 4.....	\$ 31.57	10.95

LABORER CLASSIFICATIONS

GROUP 1 - Asphalt Laborer; Carpenter Tender; Concrete Curing Applicator; Dump Man (Batch Truck); Guardrail and Fence Installer; Joint Setter; Laborer (Construction); Landscape Laborer; Highway Lighting Worker; Signalization Worker; Mesh Handlers & Placer; Right-of-way Laborer; Riprap Laborer & Grouter; Scaffold Erector; Seal Coating; Surface Treatment or Road Mix Laborer; Sign Installer; Slurry Seal; Utility Man; Bridge Man; Handyman; Waterproofing Laborer; Flagperson; Hazardous Waste (level D); Diver Tender; Zone Person & Traffic Control

GROUP 2 - Skid Steer; Asphalt Raker; Concrete Puddler; Kettle Man (Pipeline); Machine Driven Tools (Gas, Electric, Air); Mason Tender; Brick Paver; Mortar Mixer; Power Buggy or Power Wheelbarrow; Sheeting & Shoring Man; Surface Grinder Man; Plastic Fusing Machine Operator; Pug Mill Operator; & Vacuum Devices (wet or dry); Rodding Machine Operator; Diver; Screwman or Paver; Screed Person; Water Blast, Hand Held Wand; Pumps 4" & Under (Gas, Air or Electric) & Hazardous Waste (level C); Air Track and Wagon Drill; Bottom Person; Cofferdam (below 25 ft. deep); Concrete Saw Person; Cutting with Burning Torch; Form Setter; Hand Spiker (Railroad); Pipelayer; Tunnel Laborer (without air) & Caisson; Underground Person (working in Sewer and Waterline, Cleaning, Repairing & Reconditioning); Sandblaster Nozzle Person; & Hazardous Waste (level B)

GROUP 3 - Blaster; Mucker; Powder Person; Top Lander; Wrencher (Mechanical Joints & Utility Pipeline); Yarnier; Hazardous Waste (level A); Concrete Specialist; Concrete Crew in Tunnels (With Air-pressurized - \$1.00 premium); Curb Setter & Cutter; Grade Checker; Utility Pipeline Tapper; Waterline; and Caulker

GROUP 4 - Miner; & Gunite Nozzle Person

TUNNEL LABORER WITH AIR-PRESSURIZED ADD \$1.00 TO BASE RATE

SIGNAL PERSON WILL RECEIVE THE RATE EQUAL TO THE RATE PAID THE LABORER CLASSIFICATION FOR WHICH HE OR SHE IS SIGNALING.

PAIN0012-016 05/01/2015

	Rates	Fringes
PAINTER		
Bridge.....	\$ 24.39	9.06
Bridge Equipment Tender and Containment Builder.....	\$ 20.73	9.06
Brush & Roller.....	\$ 23.39	9.06
Sandblasting & Water Blasting.....	\$ 24.14	9.06
Spray.....	\$ 23.89	9.06

PLUM0392-008 06/01/2018

	Rates	Fringes
PLUMBER.....	\$ 32.01	19.67

SUKY2010-161 02/05/1996

	Rates	Fringes
Truck drivers:		
GROUP 1.....	\$ 15.85	4.60
GROUP 2.....	\$ 16.29	4.60

TRUCK DRIVER CLASSIFICATIONS

GROUP 1 - Driver

GROUP 2 - Euclid Wagon; End Dump; Lowboy; Heavy Duty
Equipment; Tractor-Trailer Combination; & Drag

WELDERS - Receive rate prescribed for craft performing
operation to which welding is incidental.

=====
Note: Executive Order (EO) 13706, Establishing Paid Sick Leave
for Federal Contractors applies to all contracts subject to the
Davis-Bacon Act for which the contract is awarded (and any
solicitation was issued) on or after January 1, 2017. If this
contract is covered by the EO, the contractor must provide
employees with 1 hour of paid sick leave for every 30 hours
they work, up to 56 hours of paid sick leave each year.
Employees must be permitted to use paid sick leave for their
own illness, injury or other health-related needs, including
preventive care; to assist a family member (or person who is
like family to the employee) who is ill, injured, or has other
health-related needs, including preventive care; or for reasons
resulting from, or to assist a family member (or person who is
like family to the employee) who is a victim of, domestic
violence, sexual assault, or stalking. Additional information
on contractor requirements and worker protections under the EO
is available at www.dol.gov/whd/govcontracts.

Unlisted classifications needed for work not included within
the scope of the classifications listed may be added after
award only as provided in the labor standards contract clauses
(29CFR 5.5 (a) (1) (ii)).

The body of each wage determination lists the classification
and wage rates that have been found to be prevailing for the
cited type(s) of construction in the area covered by the wage
determination. The classifications are listed in alphabetical
order of ""identifiers"" that indicate whether the particular
rate is a union rate (current union negotiated rate for local),
a survey rate (weighted average rate) or a union average rate
(weighted union average rate).

Union Rate Identifiers

A four letter classification abbreviation identifier enclosed
in dotted lines beginning with characters other than ""SU"" or
""UAVG"" denotes that the union classification and rate were
prevailing for that classification in the survey. Example:
PLUM0198-005 07/01/2014. PLUM is an abbreviation identifier of

the union which prevailed in the survey for this classification, which in this example would be Plumbers. 0198 indicates the local union number or district council number where applicable, i.e., Plumbers Local 0198. The next number, 005 in the example, is an internal number used in processing the wage determination. 07/01/2014 is the effective date of the most current negotiated rate, which in this example is July 1, 2014.

Union prevailing wage rates are updated to reflect all rate changes in the collective bargaining agreement (CBA) governing this classification and rate.

Survey Rate Identifiers

Classifications listed under the ""SU"" identifier indicate that no one rate prevailed for this classification in the survey and the published rate is derived by computing a weighted average rate based on all the rates reported in the survey for that classification. As this weighted average rate includes all rates reported in the survey, it may include both union and non-union rates. Example: SULA2012-007 5/13/2014. SU indicates the rates are survey rates based on a weighted average calculation of rates and are not majority rates. LA indicates the State of Louisiana. 2012 is the year of survey on which these classifications and rates are based. The next number, 007 in the example, is an internal number used in producing the wage determination. 5/13/2014 indicates the survey completion date for the classifications and rates under that identifier.

Survey wage rates are not updated and remain in effect until a new survey is conducted.

Union Average Rate Identifiers

Classification(s) listed under the UAVG identifier indicate that no single majority rate prevailed for those classifications; however, 100% of the data reported for the classifications was union data. EXAMPLE: UAVG-OH-0010 08/29/2014. UAVG indicates that the rate is a weighted union average rate. OH indicates the state. The next number, 0010 in the example, is an internal number used in producing the wage determination. 08/29/2014 indicates the survey completion date for the classifications and rates under that identifier.

A UAVG rate will be updated once a year, usually in January of each year, to reflect a weighted average of the current negotiated/CBA rate of the union locals from which the rate is based.

WAGE DETERMINATION APPEALS PROCESS

1.) Has there been an initial decision in the matter? This can be:

- * an existing published wage determination
- * a survey underlying a wage determination
- * a Wage and Hour Division letter setting forth a position on a wage determination matter
- * a conformance (additional classification and rate) ruling

On survey related matters, initial contact, including requests for summaries of surveys, should be with the Wage and Hour Regional Office for the area in which the survey was conducted because those Regional Offices have responsibility for the Davis-Bacon survey program. If the response from this initial contact is not satisfactory, then the process described in 2.) and 3.) should be followed.

With regard to any other matter not yet ripe for the formal process described here, initial contact should be with the Branch of Construction Wage Determinations. Write to:

Branch of Construction Wage Determinations
Wage and Hour Division
U.S. Department of Labor
200 Constitution Avenue, N.W.
Washington, DC 20210

2.) If the answer to the question in 1.) is yes, then an interested party (those affected by the action) can request review and reconsideration from the Wage and Hour Administrator (See 29 CFR Part 1.8 and 29 CFR Part 7). Write to:

Wage and Hour Administrator
U.S. Department of Labor
200 Constitution Avenue, N.W.
Washington, DC 20210

The request should be accompanied by a full statement of the interested party's position and by any information (wage payment data, project description, area practice material, etc.) that the requestor considers relevant to the issue.

3.) If the decision of the Administrator is not favorable, an interested party may appeal directly to the Administrative Review Board (formerly the Wage Appeals Board). Write to:

Administrative Review Board
U.S. Department of Labor
200 Constitution Avenue, N.W.
Washington, DC 20210

4.) All decisions by the Administrative Review Board are final.

=====

END OF GENERAL DECISION"

Fringe benefit amounts are applicable for all hours worked except when otherwise noted.

No laborer, workman or mechanic shall be paid at a rate less than that of a Journeyman except those classified as bona fide apprentices.

Apprentices or trainees shall be permitted to work as such subject to Administrative Regulations adopted by the Commissioner of Workplace Standards. Copies of these regulations will be furnished upon request from any interested person.

Before using apprentices on the job the contractor shall present to the Contracting Officer written evidence of registration of such employees in a program of a State apprenticeship and training agency approved and recognized by the U. S. Bureau of Apprenticeship and Training. In the absence of such a State agency, the contractor shall submit evidence of approval and registration by the U. S. Bureau of Apprenticeship and Training.

The contractor shall submit to the Contracting Officer, written evidence of the established apprenticeship-journeyman ratios and wage rates in the project area, which will be the basis for establishing such ratios and rates for the project under the applicable contract provisions.

TO: EMPLOYERS/EMPLOYEES

PREVAILING WAGE SCHEDULE:

The wages indicated on this wage schedule are the least permitted to be paid for the occupations indicated. When an employee works in more than one classification, the employer must record the number of hours worked in each classification at the prescribed hourly base rate.

OVERTIME:

Overtime is to be paid to an employee at a rate not less than one and one-half times the basic rate of pay for all hours worked in excess of forty (40) hours in such workweek. Wage violations or questions should be directed to the designated Engineer or the undersigned.

Director
Division of Construction Procurement
Frankfort, Kentucky 40622
502-564-3500

**NOTICE OF REQUIREMENT FOR AFFIRMATIVE ACTION
TO ENSURE EQUAL EMPLOYMENT OPPORTUNITY
(Executive Order 11246)**

1. The Offeror's or Bidder's attention is called to the "Equal Opportunity Clause" and the "Standard Federal Equal Employment Specifications" set forth herein.
2. The goals and timetables for minority and female participation, expressed in percentage terms for the Contractor's aggregate work force in each trade on all construction work in the covered area, are as follows:

GOALS FOR MINORITY PARTICIPATION IN EACH TRADE	GOALS FOR FEMALE PARTICIPATION IN EACH TRADE
11.0%	6.9%

These goals are applicable to all the Contractor's construction work (whether or not it is Federal or federally-assisted) performed in the covered area. If the contractor performs construction work in a geographical area located outside of the covered area, it shall apply the goals established for such geographical area where the work is actually performed. With regard to this second area, the contractor also is subject to the goals for both its federally involved and non-federally involved construction.

The Contractor's compliance with the Executive Order and the regulations in CFR Part 60-4 shall be based on its implementation of the Equal Opportunity Clause, specific affirmative action obligations required by the specifications set forth in 41 CFR 60-4, 3(a), and its efforts to meet the goals. The hours of minority and female employment and training must be substantially uniform throughout the length of the contract, and in each trade, and the contractor shall make a good faith effort to employ minorities and women evenly on each of its projects. The transfer of minority or female employees or trainees from Contractor to Contractor or from project to project for the sole purpose of meeting the Contractor's goals shall be a violation of the contract, the Executive Order and the regulations in 41 CFR Part 60-4. Compliance with the goals will be measured against the total work hours performed.

3. The Contractor shall provide written notification to the Director of the Office of Federal Contract Compliance Programs within ten (10) working days of award of any construction subcontract in excess of \$10,000.00 at any tier for construction work under the contract resulting from this solicitation. The notification shall list the name, address and telephone number of the subcontractor; employer identification number of the subcontractor; estimated dollar amount of the subcontract; estimated starting and completion dates of the subcontract; and the geographical area in which the subcontract is to be performed. The notification shall be mailed to:

**Evelyn Teague, Regional Director
Office of Federal Contract Compliance Programs
61 Forsyth Street, SW, Suite 7B75
Atlanta, Georgia 30303-8609**

4. As used in this Notice, and in the contract resulting from this solicitation, the "**covered area**" is Kenton County.

PART IV
INSURANCE

Refer to
Kentucky Standard Specifications for Road and Bridge Construction,
current edition

PART V
BID ITEMS

PROPOSAL BID ITEMS

Report Date 9/18/20

Section: 0001 - PAVING

LINE	BID CODE	ALT	DESCRIPTION	QUANTITY	UNIT	UNIT PRIC	FP	AMOUNT
0010	00003		CRUSHED STONE BASE	3,399.00	TON		\$	
0020	00013		LIME STABILIZED ROADBED	9,304.00	SQYD		\$	
0030	00014		LIME	186.00	TON		\$	
0040	00020		TRAFFIC BOUND BASE	57.00	TON		\$	
0050	00190		LEVELING & WEDGING PG64-22	883.00	TON		\$	
0060	00212		CL2 ASPH BASE 1.00D PG64-22	4,061.00	TON		\$	
0070	00307		CL2 ASPH SURF 0.38B PG64-22	1,286.00	TON		\$	
0080	00356		ASPHALT MATERIAL FOR TACK	9.00	TON		\$	
0090	00358		ASPHALT CURING SEAL	9.00	TON		\$	
0100	02101		CEM CONC ENT PAVEMENT-8 IN	417.10	SQYD		\$	
0110	02677		ASPHALT PAVE MILLING & TEXTURING	150.00	TON		\$	
0120	02702		SAND FOR BLOTTER	23.00	TON		\$	
0130	20430ED		SAW CUT	1,375.00	LF		\$	
0140	24790EC		SUBGRADE STABILIZATION	2,440.00	SQYD		\$	

Section: 0002 - ROADWAY

LINE	BID CODE	ALT	DESCRIPTION	QUANTITY	UNIT	UNIT PRIC	FP	AMOUNT
0150	00021		DRAINAGE BLANKET-EMBANKMENT	688.00	CUYD		\$	
0160	00078		CRUSHED AGGREGATE SIZE NO 2	3.00	TON		\$	
0170	00441		ENTRANCE PIPE-18 IN	86.00	LF		\$	
0180	01000		PERFORATED PIPE-4 IN	1,255.00	LF		\$	
0190	01005		PERFORATED PIPE EDGE DRAIN-4 IN	7,554.00	LF		\$	
0200	01010		NON-PERFORATED PIPE-4 IN	668.00	LF		\$	
0210	01024		PERF PIPE HEADWALL TY 2-4 IN	1.00	EACH		\$	
0220	01028		PERF PIPE HEADWALL TY 3-4 IN	2.00	EACH		\$	
0230	01691		FLUME INLET TYPE 2	1.00	EACH		\$	
0240	01810		STANDARD CURB AND GUTTER	7,268.00	LF		\$	
0250	01825		ISLAND CURB AND GUTTER	591.00	LF		\$	
0260	01830		STANDARD INTEGRAL CURB	49.00	LF		\$	
0270	01875		STANDARD HEADER CURB	137.00	LF		\$	
0280	01987		DELINEATOR FOR GUARDRAIL BI DIRECTIONAL WHITE	2.00	EACH		\$	
0290	02014		BARRICADE-TYPE III	4.00	EACH		\$	
0300	02091		REMOVE PAVEMENT	407.00	SQYD		\$	
0310	02158		PAVED DITCH TYPE 2	697.00	SQYD		\$	
0320	02230		EMBANKMENT IN PLACE	35,712.00	CUYD		\$	
0330	02242		WATER	200.00	MGAL		\$	
0340	02351		GUARDRAIL-STEEL W BEAM-S FACE	100.00	LF		\$	
0350	02369		GUARDRAIL END TREATMENT TYPE 2A	1.00	EACH		\$	
0360	02381		REMOVE GUARDRAIL	300.00	LF		\$	
0370	02429		RIGHT-OF-WAY MONUMENT TYPE 1	50.00	EACH		\$	
0380	02432		WITNESS POST	3.00	EACH		\$	
0390	02484		CHANNEL LINING CLASS III	1,019.00	TON		\$	
0400	02545		CLEARING AND GRUBBING (APPROXIMATELY 11.6 ACRES)	1.00	LS		\$	

PROPOSAL BID ITEMS

Report Date 9/18/20

LINE	BID CODE	ALT	DESCRIPTION	QUANTITY	UNIT	UNIT PRIC	FP	AMOUNT
0410	02555		CONCRETE-CLASS B (FOR PARTIALLY GROUTED RIPRAP)	67.00	CUYD		\$	
0420	02562		TEMPORARY SIGNS	350.00	SQFT		\$	
0430	02603		FABRIC-GEOTEXTILE CLASS 2	1,950.00	SQYD		\$	
0440	02607		FABRIC-GEOTEXTILE CLASS 2 FOR PIPE	3,578.00	SQYD	\$2.00	\$	\$7,156.00
0450	02650		MAINTAIN & CONTROL TRAFFIC	1.00	LS		\$	
0460	02671		PORTABLE CHANGEABLE MESSAGE SIGN	2.00	EACH		\$	
0470	02676		MOBILIZATION FOR MILL & TEXT	1.00	LS		\$	
0480	02690		SAFELOADING	157.00	CUYD		\$	
0490	02720		SIDEWALK-4 IN CONCRETE	182.00	SQYD		\$	
0500	02726		STAKING	1.00	LS		\$	
0510	02731		REMOVE STRUCTURE SLAB BRIDGE STA 40+25	1.00	LS		\$	
0520	02731		REMOVE STRUCTURE SLAB BRIDGE STA 47+30	1.00	LS		\$	
0530	05950		EROSION CONTROL BLANKET	762.00	SQYD		\$	
0540	05963		INITIAL FERTILIZER	1.95	TON		\$	
0550	05964		MAINTENANCE FERTILIZER	.98	TON		\$	
0560	05985		SEEDING AND PROTECTION	16,495.00	SQYD		\$	
0570	05990		SODDING	2,400.00	SQYD		\$	
0580	05992		AGRICULTURAL LIMESTONE	11.70	TON		\$	
0590	06406		SBM ALUM SHEET SIGNS .080 IN	264.50	SQFT		\$	
0600	06410		STEEL POST TYPE 1	581.00	LF		\$	
0610	06510		PAVE STRIPING-TEMP PAINT-4 IN	1,000.00	LF		\$	
0620	06514		PAVE STRIPING-PERM PAINT-4 IN	16,955.00	LF		\$	
0630	06566		PAVE MARKING-THERMO X-WALK-12 IN	990.00	LF		\$	
0640	06568		PAVE MARKING-THERMO STOP BAR-24IN	150.00	LF		\$	
0650	06570		PAVE MARKING-PAINT CROSS-HATCH	14.00	SQFT		\$	
0660	06574		PAVE MARKING-THERMO CURV ARROW	4.00	EACH		\$	
0670	06575		PAVE MARKING-THERMO COMB ARROW	4.00	EACH		\$	
0680	10020NS		FUEL ADJUSTMENT	15,319.00	DOLL	\$1.00	\$	\$15,319.00
0690	10030NS		ASPHALT ADJUSTMENT	20,905.00	DOLL	\$1.00	\$	\$20,905.00
0700	23143ED		KPDES PERMIT AND TEMP EROSION CONTROL	1.00	LS		\$	
0710	23158ES505		DETECTABLE WARNINGS	150.00	SQFT		\$	
0720	24631EC		BARCODE SIGN INVENTORY	64.00	EACH		\$	
0730	40001		MISC DEMO AND DISPOSAL PARCEL 22 OUTBUILDING	1.00	LS		\$	
0740	40001		MISC DEMO AND DISPOSAL PARCEL 28 HOUSE & GARAGE	1.00	LS		\$	
0750	40001		MISC DEMO AND DISPOSAL PARCEL 29 HOUSE	1.00	LS		\$	

Section: 0003 - DRAINAGE

LINE	BID CODE	ALT	DESCRIPTION	QUANTITY	UNIT	UNIT PRIC	FP	AMOUNT
0760	00508		CULVERT PIPE-96 IN EQUIV	102.00	LF		\$	
0770	00522		STORM SEWER PIPE-18 IN	2,231.00	LF		\$	
0780	00524		STORM SEWER PIPE-24 IN	69.00	LF		\$	
0790	01204		PIPE CULVERT HEADWALL-18 IN	4.00	EACH		\$	

PROPOSAL BID ITEMS

Report Date 9/18/20

LINE	BID CODE	ALT	DESCRIPTION	QUANTITY	UNIT	UNIT PRIC	FP	AMOUNT
0800	01208		PIPE CULVERT HEADWALL-24 IN	1.00	EACH		\$	
0810	01227		PIPE CULVERT HEADWALL-96 IN EQUIV (SPECIAL DESIGN INLET)	1.00	EACH		\$	
0820	01450		S & F BOX INLET-OUTLET-18 IN	1.00	EACH		\$	
0830	01456		CURB BOX INLET TYPE A	18.00	EACH		\$	
0840	01490		DROP BOX INLET TYPE 1	2.00	EACH		\$	
0850	01650		JUNCTION BOX	1.00	EACH		\$	
0860	01719		ADJUST INLET	1.00	EACH		\$	
0870	01756		MANHOLE TYPE A	1.00	EACH		\$	
0880	01761		MANHOLE TYPE B	2.00	EACH		\$	
0890	01762		MANHOLE TYPE B MOD	4.00	EACH		\$	
0900	08100		CONCRETE-CLASS A (REVISED: 9-18-20)	12.20	CUYD		\$	
0910	08150		STEEL REINFORCEMENT	855.00	LB		\$	

Section: 0004 - BRIDGE - #28353 - CULVERT OVER PLEASANT RUN CREEK

LINE	BID CODE	ALT	DESCRIPTION	QUANTITY	UNIT	UNIT PRIC	FP	AMOUNT
0920	08003		FOUNDATION PREPARATION (28353)	1.00	LS		\$	
0930	08100		CONCRETE-CLASS A	687.00	CUYD		\$	
0940	08150		STEEL REINFORCEMENT	57,588.00	LB		\$	

Section: 0005 - BRIDGE - #28354 - SOLDIER PILE RETAINING WALL

LINE	BID CODE	ALT	DESCRIPTION	QUANTITY	UNIT	UNIT PRIC	FP	AMOUNT
0950	02203		STRUCTURE EXCAV-UNCLASSIFIED	1,092.00	CUYD		\$	
0960	02611		HANDRAIL-TYPE A-1	1,804.00	LF		\$	
0970	08018		RETAINING WALL	19,533.00	SQFT		\$	
0980	08033		TEST PILES	371.00	LF		\$	
0990	08039		PRE-DRILLING FOR PILES	4,415.00	LF		\$	
1000	08050		PILES-STEEL HP14X73	1,218.00	LF		\$	
1010	08170		SHEAR CONNECTORS (ESIMATED 4,318)	1.00	LS		\$	
1020	21119ED		CONCRETE FORM LINER	1,970.00	SQYD		\$	
1030	23378EC		CONCRETE SEALING	19,551.00	SQFT		\$	
1040	25084ED		PILES-STEEL W18X158	728.00	LF		\$	
1050	26123EC		PILES-STEEL W18 X 130	1,615.00	LF		\$	
1060	26124EC		PILES-STEEL W18 X 211	657.00	LF		\$	

Section: 0006 - UTILITY-GAS

LINE	BID CODE	ALT	DESCRIPTION	QUANTITY	UNIT	UNIT PRIC	FP	AMOUNT
1070	16076		G SPECIAL ITEM (TEST AND RELIGHT)	3.00	EACH	\$700.00	\$	\$2,100.00
1080	16518		G PIPE POLYETHYLENE/PLASTIC 06 INCH INST	2,754.00	LF	\$52.00	\$	\$143,208.00

PROPOSAL BID ITEMS

Report Date 9/18/20

LINE	BID CODE	ALT	DESCRIPTION	QUANTITY	UNIT	UNIT PRIC	FP	AMOUNT
1090	16531		G SERVICE LONG SIDE 1 OR 1-1/4 INCH INST	1.00	EACH	\$2,000.00	\$	\$2,000.00
1100	16536		G SERVICE SHORT SIDE 1 OR 1-1/4 INCH INST	2.00	EACH	\$1,500.00	\$	\$3,000.00
1110	16552		G VALVE POLYETHYLENE/PLASTIC 06 IN INST	2.00	EACH	\$701.25	\$	\$1,402.50
1120	24845EC		UTILITY COORDINATION (GAS)	1.00	LS		\$	

Section: 0007 - SEWER

LINE	BID CODE	ALT	DESCRIPTION	QUANTITY	UNIT	UNIT PRIC	FP	AMOUNT
1130	15088		S LATERAL LONG SIDE 06 INCH	1.00	EACH		\$	
1140	15090		S LATERAL SHORT SIDE 06 INCH	1.00	EACH		\$	
1150	15092		S MANHOLE	11.00	EACH		\$	
1160	15093		S MANHOLE ABANDON/REMOVE	6.00	EACH		\$	
1170	15094		S MANHOLE ADJUST TO GRADE	6.00	EACH		\$	
1180	15095		S MANHOLE CASTING STANDARD	5.00	EACH		\$	
1190	15099		S MANHOLE TAP EXISTING	3.00	EACH		\$	
1200	15101		S MANHOLE WITH DROP	1.00	EACH		\$	
1210	15104		S PIPE DUCTILE IRON 08 INCH	196.00	LF		\$	
1220	15107		S PIPE DUCTILE IRON 16 INCH	82.00	LF		\$	
1230	15112		S PIPE PVC 08 INCH	583.00	LF		\$	
1240	15120		S SPECIAL ITEM (TEMPORARY SEWER LINE)	1.00	EACH		\$	
1250	15136		S LATERAL LOCATE	1.00	EACH		\$	
1260	15137		S PIPE PVC 15 INCH (REVISED: 9-18-20)	907.00	LF		\$	

Section: 0008 - WATERLINE

LINE	BID CODE	ALT	DESCRIPTION	QUANTITY	UNIT	UNIT PRIC	FP	AMOUNT
1270	14005		W ENCASEMENT CONCRETE	11.00	LF		\$	
1280	14020		W FIRE HYDRANT RELOCATE	6.00	EACH		\$	
1290	14030		W METER RELOCATE	4.00	EACH		\$	
1300	14037		W PIPE DUCTILE IRON 08 INCH	59.00	LF		\$	
1310	14039		W PIPE DUCTILE IRON 12 INCH	3,528.00	LF		\$	
1320	14050		W PIPE DCTL IRON RSTRND JOINT 12 IN	80.00	LF		\$	
1330	14095		W TIE-IN 08 INCH	2.00	EACH		\$	
1340	14097		W TIE-IN 12 INCH	6.00	EACH		\$	
1350	14106		W VALVE 08 INCH	2.00	EACH		\$	
1360	14108		W VALVE 12 INCH	5.00	EACH		\$	
1370	14148		W SERV COPPER LONG SIDE 3/4 IN	1.00	EACH		\$	
1380	14152		W SERV COPPER SHORT SIDE 3/4 IN	3.00	EACH		\$	

Section: 0009 - DEMOBILIZATION &/OR MOBILIZATION

LINE	BID CODE	ALT	DESCRIPTION	QUANTITY	UNIT	UNIT PRIC	FP	AMOUNT
------	----------	-----	-------------	----------	------	-----------	----	--------

PROPOSAL BID ITEMS

Report Date 9/18/20

LINE	BID CODE	ALT	DESCRIPTION	QUANTITY	UNIT	UNIT PRIC	FP	AMOUNT
1390	02568		MOBILIZATION	1.00	LS		\$	
1400	02569		DEMOBILIZATION	1.00	LS		\$	